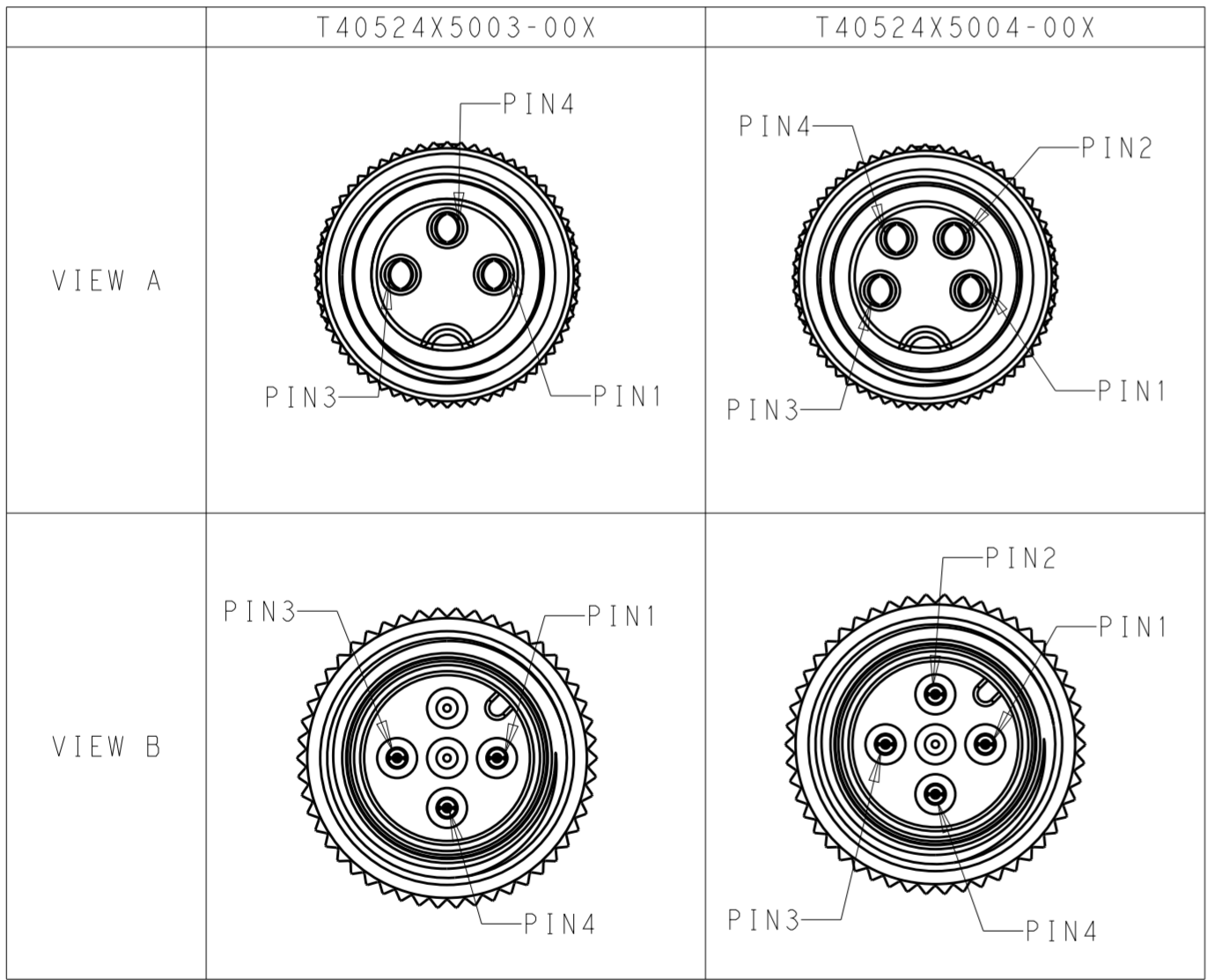
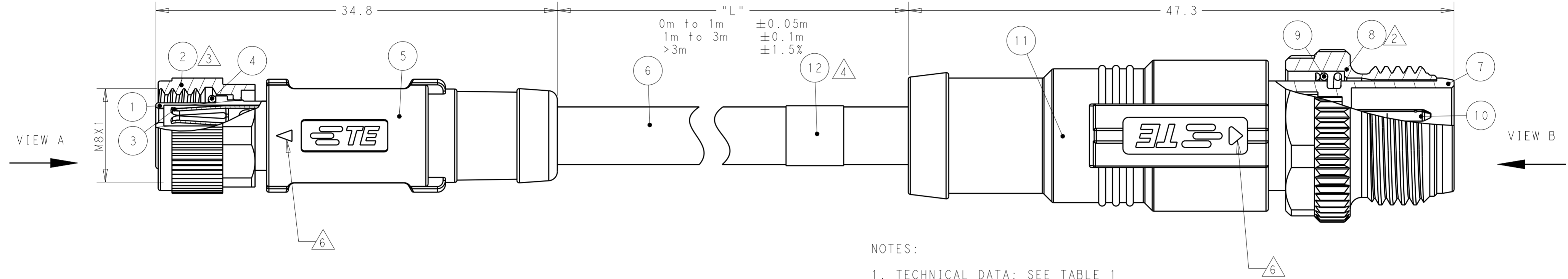


THIS DRAWING IS UNPUBLISHED. RELEASED FOR PUBLICATION
 © COPYRIGHT copyright.d8Te- ALL RIGHTS RESERVED.

REVISIONS				
P	LTR	DESCRIPTION	DATE	APVD
A		INITIAL RELEASE	17OCT2016	N.P X.X



- NOTES:
1. TECHNICAL DATA: SEE TABLE 1
 2. RECOMMEND TORQUE 0.6Nm FOR M12 NUT.
 3. RECOMMEND TORQUE 0.4Nm FOR M8 NUT.
 4. TE LABEL AREA.
 5. -** : CABLE LENGTH. -0.5:0.5m, -1.0:1.0m, -1.5:1.5m...
 6. CODE POSITION INDICATOR;
 7. ALL PRODUCT MUST COMPLIANCE WITH ROHS AND REACH.
- 注意事项
 1. 技术参数：见表1
 2. M12螺丝推荐扭矩0.6Nm;
 3. M8螺丝推荐扭矩0.4Nm;
 4. TE 标签位置;
 5. -**线长：-0.5:0.5m, -1.0:1.0m, -1.5:1.5m
 6. 产品CODE位置指示;
 7. 产品必须符合ROHS与REACH.

MATERIAL	PART NAME	QTY
TPU	OVER-MOLDING	12
COPPER ALLOY	CONTACT	10
SUS	SPRING	9
BRASS	NUT	8
PA66	HOUSING	7
	CABLE	6
TPU	OVERMOLDING	5
SILICON RUBBER	O-RING	4
BRASS	CONTACT	3
BRASS	NUT	2
PA66,	HOUSING	1

WIRES	STANDARD	FIXED	JACKET COLOR	JACKET MATERIAL	TYPE	POS.	PART NUMBER
0.25mm ² (24AWG)	-001: 0.5 M	-40°C~80°C	GRAY	PUR (UL)	RPC-M8-4FS-**-M12-4MS-PUR	4	T4052325004-00X
	-002: 1.0 M	-40°C~80°C			RPC-M8-3FS-**-M12-3MS-PUR	3	T4052325003-00X
	-003: 1.5 M	-25°C~80°C					
	-004: 3.0 M						
CUSTOMIZATION: -**0:**.0 M -**5:**.5 M	-005: 5.0 M	-10°C~80°C	BLACK	PVC (UL)	RPC-M8-4FS-**-M12-4MS-PVC	4	T4052315004-00X
	-006: 7.0 M	-10°C~80°C			RPC-M8-3FS-**-M12-3MS-PVC	3	T4052315003-00X
	-007: 10.0 M	-5°C~80°C					
	-008: 15.0 M						

TABLE 1

TECHNICAL DATA	T40523X5003-00X	T40523X5004-00X
RATED VOLTAGE	60V	30V
RATED CURRENT	3A	
DEGREE OF PROTECTION	IP67	

THIS DRAWING IS A CONTROLLED DOCUMENT.

DIMENSIONS: mm	TOLERANCES UNLESS OTHERWISE SPECIFIED:	DWN: Nick Pan 17-Oct-16	TE Connectivity M8 FEMALE TO M12 MALE CABLE ASSEMBLY DOUBLE ENDED, UNSHIELDED
	0 PLC ±	CHK: Kobby Zhao	
	1 PLC ±0.5	APVD: Xiang Xu	
	2 PLC ±0.3	PRODUCT SPEC: 108-106140	
MATERIAL: material_2	FINISH: finish_spec_2	APVD: Xiang Xu	SIZE: A2
		APPLICATION SPEC:	CAGE CODE: T40523X500X00X
		WEIGHT:	SCALE: 2:1
		CUSTOMER DRAWING	SHEET 1 OF 1