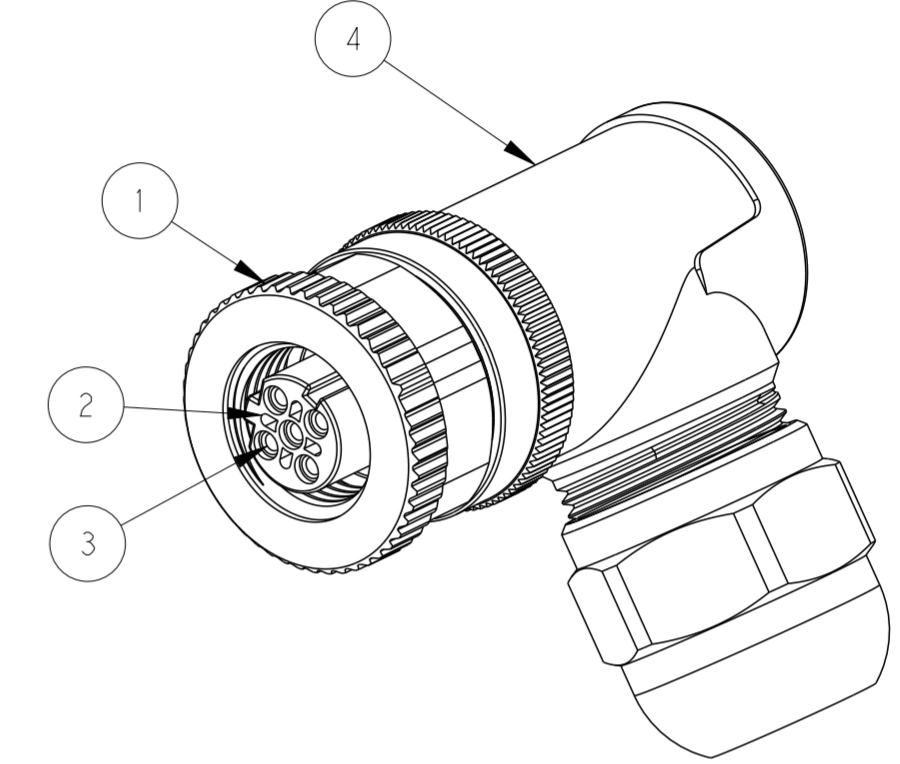
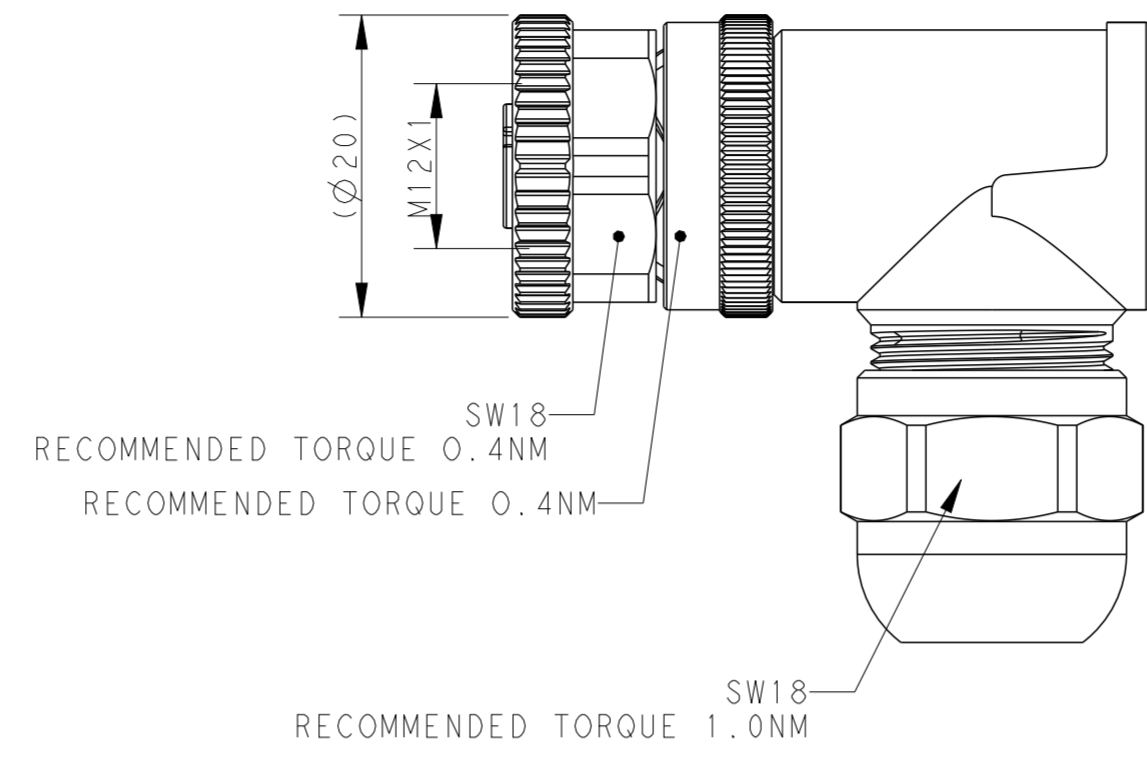
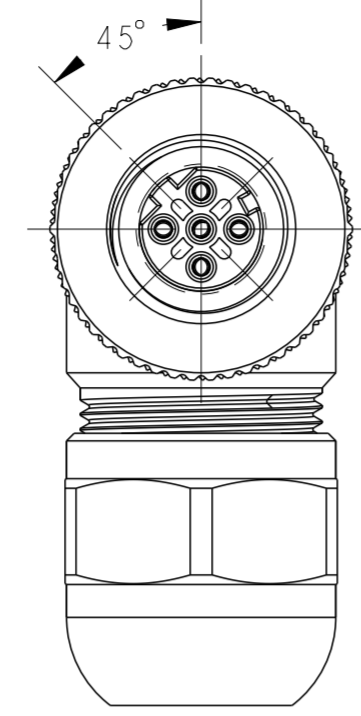


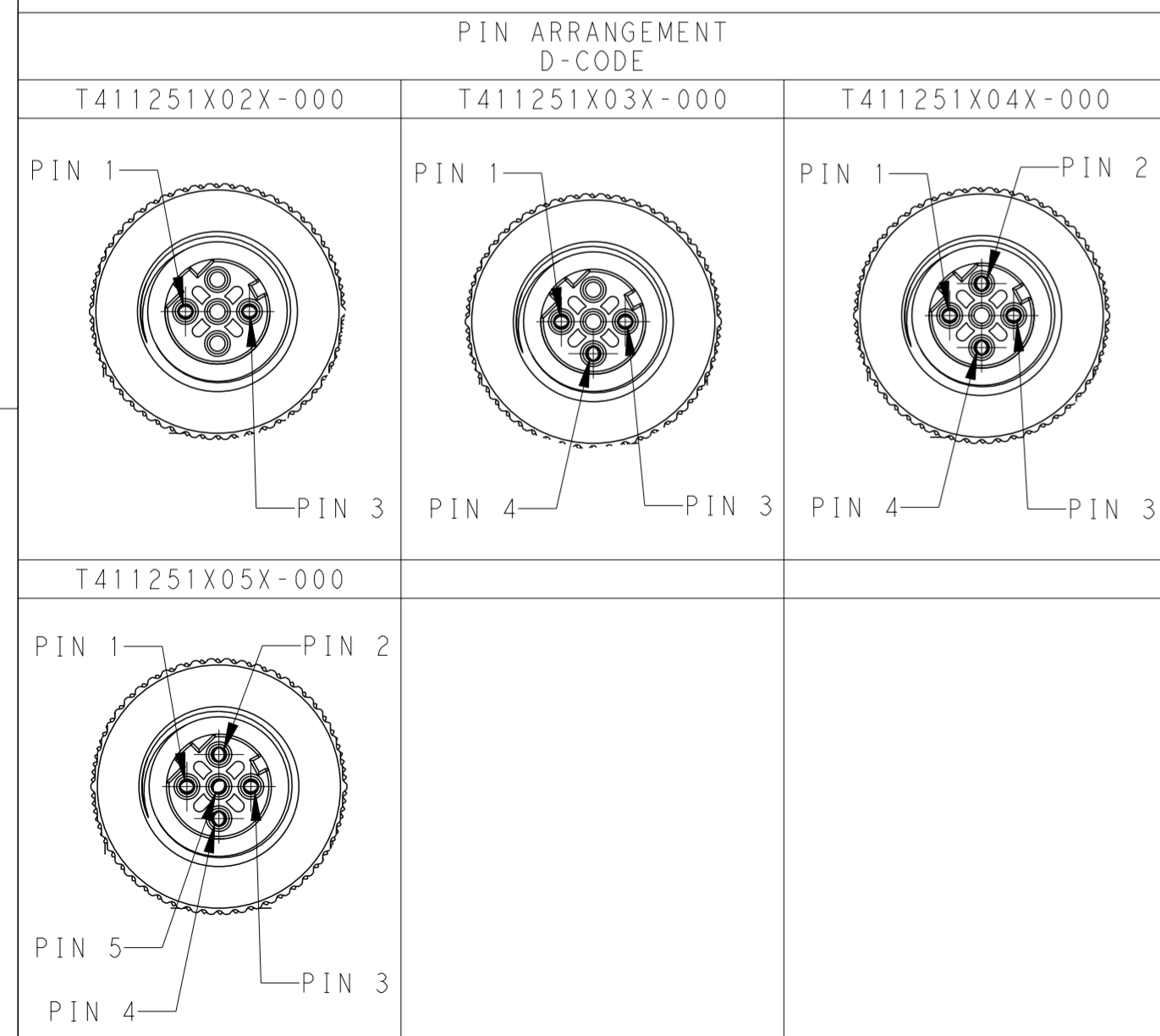
THIS DRAWING IS UNPUBLISHED. RELEASED FOR PUBLICATION 20
 © COPYRIGHT 20 BY - ALL RIGHTS RESERVED.

REVISIONS				
P	LTR	DESCRIPTION	DATE	APVD
A		INITIAL RELEASE	25SEP2015	N.P X.X
A1		ECR-16-016026	14NOV2016	N.P X.X
A2		ECR-19-006141	02JUL2020	G.W C.W
B		ECR-22-132011	19JUL2022	B.P C.W



TECHNICAL DATA	T411251X02X-000	T411251X03X-000	T411251X04X-000	T411251X05X-000
RATED VOLTAGE	250V	250V	250V	60V
RATED CURRENT	4A	4A	4A	4A
POLLUTION DEGREE	3	3	3	3
OVERVOLTAGE CATEGORY	II	II	II	II
MATERIAL GROUP	II	II	II	II
CONTACT RESISTANCE	≤10mΩ	≤10mΩ	≤10mΩ	≤10mΩ
INSULATION RESISTANCE	>100MΩ	>100MΩ	>100MΩ	>100MΩ
DEGREE OF PROTECTION	IP67	IP67	IP67	IP67
OPERATION TEMPERATURE	-40~85°C	-40~85°C	-40~85°C	-40~85°C

- NOTE:
- MATERIAL:
 - ITEM NO.1:NUT -ZINC DIE-CAST,NICKEL PLATED
 - ITEM NO.2:HOUSING -PA
 - ITEM NO.3:CONTACT -BRONZE
 - ITEM NO.4: HOUSING BODY: -BRASS
 - CONTACT FINISH: GOLD OVER NICKEL OR SILVER OVER NICKEL
 - CABLE WIRES:
 - 24AWG/0.25mm²...18AWG/0.75mm² (WITHOUT FERRULE)
 - 26AWG/0.14mm²...20AWG/0.50mm² (WITH FERRULE)
 - ALLDIMENSIONS ARE FOR NOMINAL REFERENCE ONLY UNLESS OTHERWISE STATED
 - PACKAGEING: IPIECE IN A BAG
 - PN INFORMATION



T4112512051-000	RPC-M12D-FR-5CON-PG9-SHU
T4112511051-000	RPC-M12D-FR-5CON-PG7-SHU
T4112512052-000	RPC-M12D-FR-5CON-PG9-SH
T4112511052-000	RPC-M12D-FR-5CON-PG7-SH
T4112512041-000	RPC-M12D-FR-4CON-PG9-SHU
T4112511041-000	RPC-M12D-FR-4CON-PG7-SHU
T4112512042-000	RPC-M12D-FR-4CON-PG9-SH
T4112511042-000	RPC-M12D-FR-4CON-PG7-SH
T4112512031-000	RPC-M12D-FR-3CON-PG9-SHU
T4112511031-000	RPC-M12D-FR-3CON-PG7-SHU
T4112512032-000	RPC-M12D-FR-3CON-PG9-SH
T4112511032-000	RPC-M12D-FR-3CON-PG7-SH
T4112512021-000	RPC-M12D-FR-2CON-PG9-SHU
T4112511021-000	RPC-M12D-FR-2CON-PG7-SHU
T4112512022-000	RPC-M12D-FR-2CON-PG9-SH
T4112511022-000	RPC-M12D-FR-2CON-PG7-SH
TE PN	TYPE

T411251XXXX-000

- CONTACT FINISH:
 - 1: GOLD OVER NICKEL
 - 2: SILVER OVER NICKEL
- NUMBERS OF PINS:
 - 02: 2 PINS
 - 03: 3 PINS
 - 04: 4 PINS
 - 05: 5 PINS
 - 08: 8 PINS
- CABLE OUTLET:
 - 1: PG7(CABLE FEED: 4-6mm)
 - 2: PG9(CABLE FEED: 6-8mm)

THIS DRAWING IS A CONTROLLED DOCUMENT.		DWN Nick Pan 24AUG2015	TE Connectivity	
		CHK Kobby Zhao 24AUG2015		
DIMENSIONS: mm		APVD Xiang Xu 24AUG2015	NAME M12 FEMALE, D CODE, RA SHIELDED CONNECTOR SCREW TERMINAL	
TOLERANCES UNLESS OTHERWISE SPECIFIED:		PRODUCT SPEC 108-106140	SIZE A2	
0 PLC ±		APPLICATION SPEC 114-137144	CAGE CODE -	
1 PLC ±0.25		WEIGHT -	DRAWING NO C-T411251XXXX000	
2 PLC ±0.15		RESTRICTED TO		
3 PLC ±		SCALE 2:1 SHEET 1 OF 1 REV B		
4 PLC ±				
ANGLES ±				
FINISH -				
MATERIAL TBD				