

THIS DRAWING IS UNPUBLISHED. RELEASED FOR PUBLICATION
 © COPYRIGHT copyright.d8Te- ALL RIGHTS RESERVED.

REVISIONS				
P	LTR	DESCRIPTION	DATE	APVD
B		ECR-16-010100	14JUL2016	L.Z X.X
C		ECR-19-009136	19JUL2019	C.D C.W

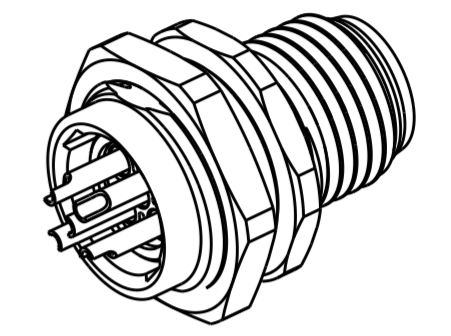
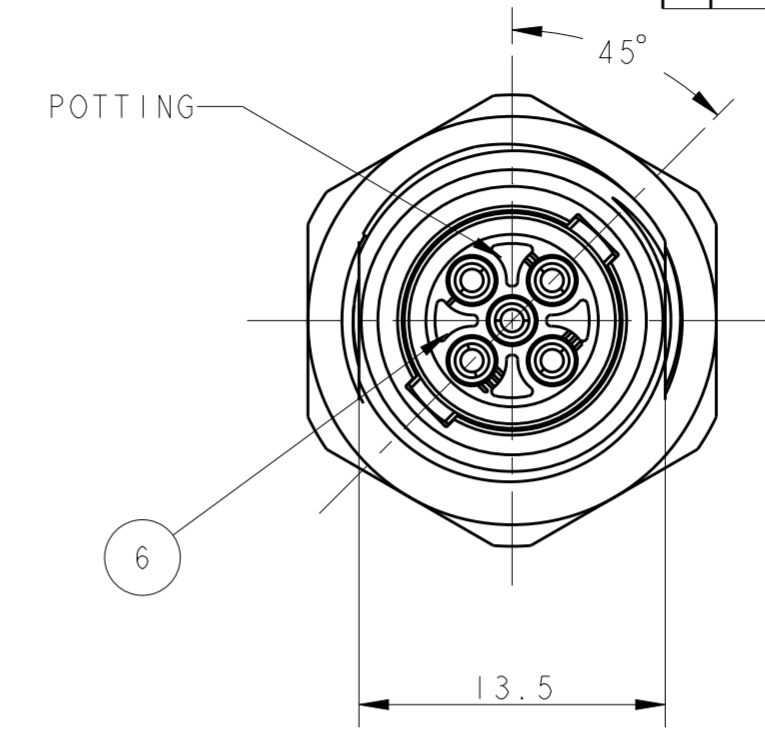
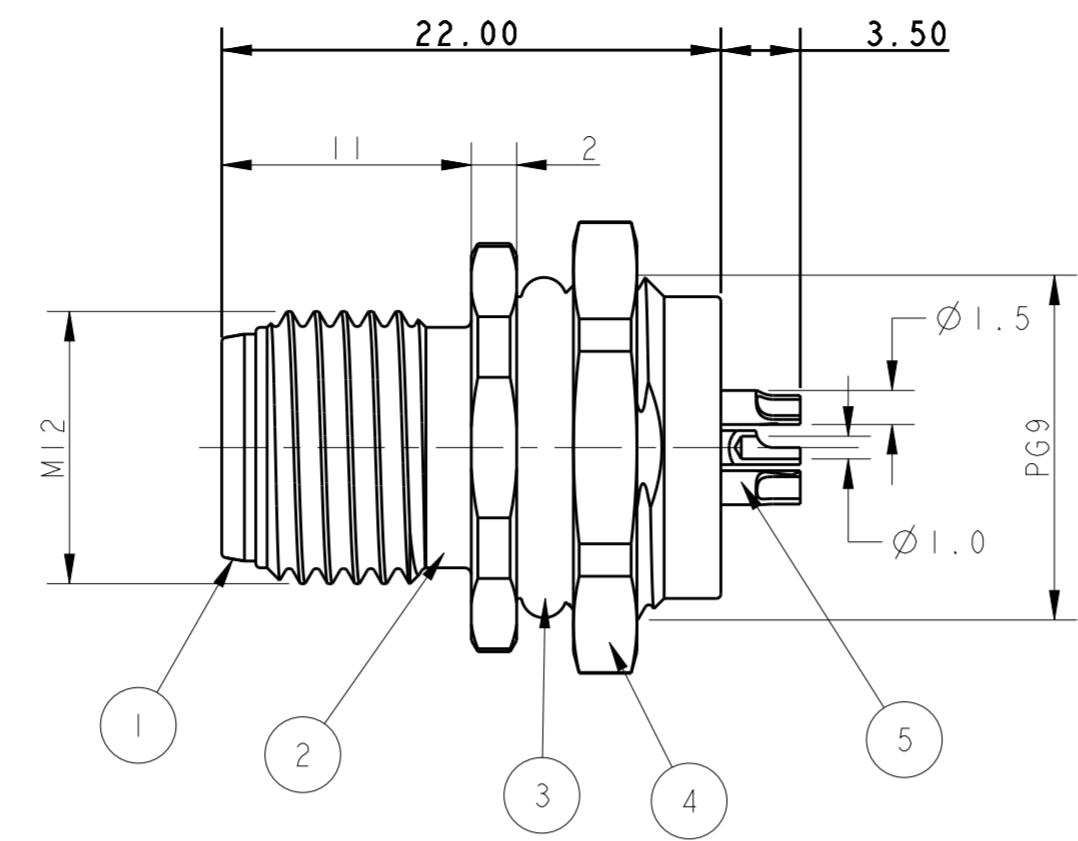
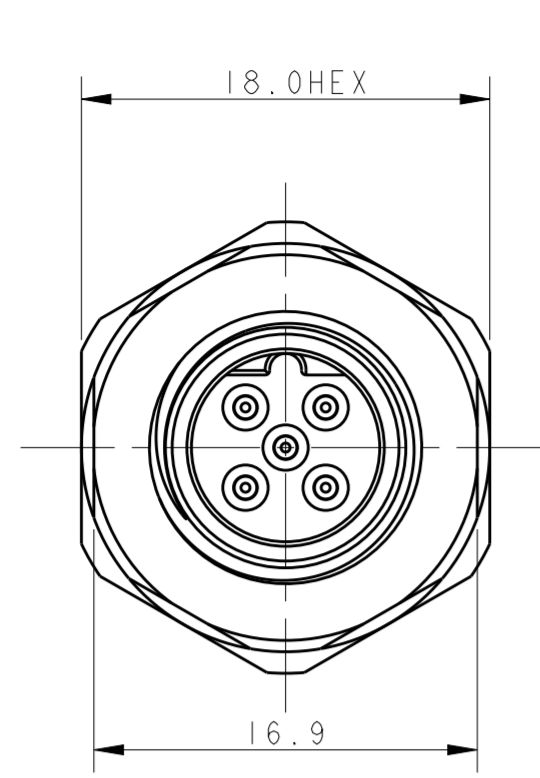


TABLE 1

TECHNICAL DATA	T4132412021-000	T4132412031-000	T4132412041-000	T4132412051-000
RATED VOLTAGE	250V	250V	250V	60V
RATED CURRENT	4A	4A	4A	4A
POLLUTION DEGREE	3	3	3	3
OVERVOLTAGE CATEGORY	II	II	II	II
MATERIAL GROUP	II	II	II	II
CONTACT RESISTANCE	<=10mΩ	<=10mΩ	<=10mΩ	<=10mΩ
INSULATION RESISTANCE	>100MΩ	>100MΩ	>100MΩ	>100MΩ
DEGREE OF PROTECTION	IP67	IP67	IP67	IP67
OPERATION TEMPEATURE	-40-85°C	-40-85°C	-40-85°C	-40-85°C

NOTE:
 1. TECHNICAL DATA: SEE TABLE 1
 2. RECOMMENDED MOUNT PANEL SEE DETAIL
 3. PRODUCT COMPLIES WITH IEC61076-2-101
 4. ALL MATERIALS TO BE ROHS COMPLIANT
 5. ALL MATERIALS TO BE REACH COMPLIANT
 6. PN INFORMATION FOR ASSEMBLY PARTS

注释:
 1: 技术参数, 见表1
 2: 推荐开孔尺寸详见如图所示
 3: 产品符合标准 IEC61076-2-101
 4: 所有材料符合ROHS参照标准TEC-138-705
 5: 所有材料符合REACH参照标准TEC-138-705
 6: 成品料号信息如下:

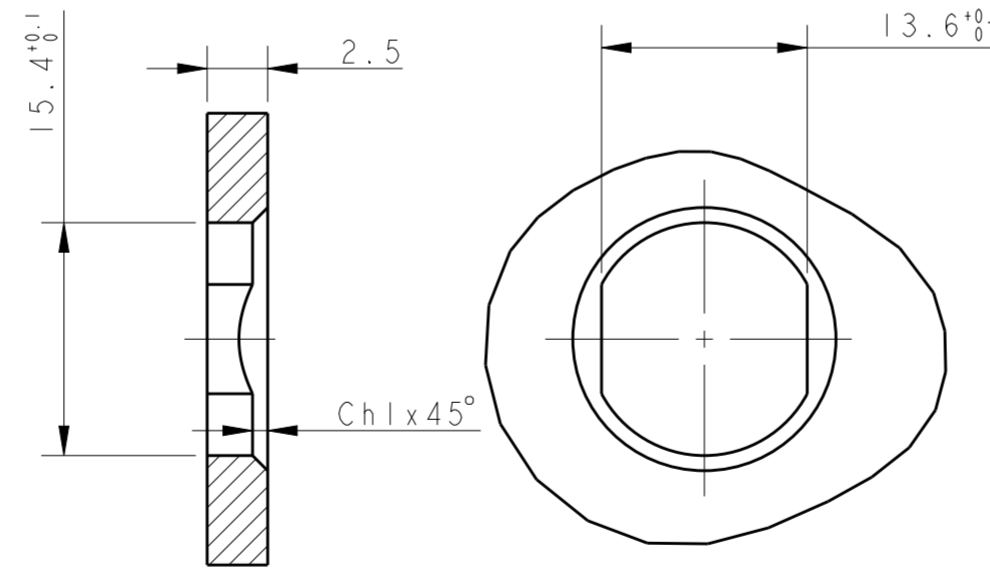
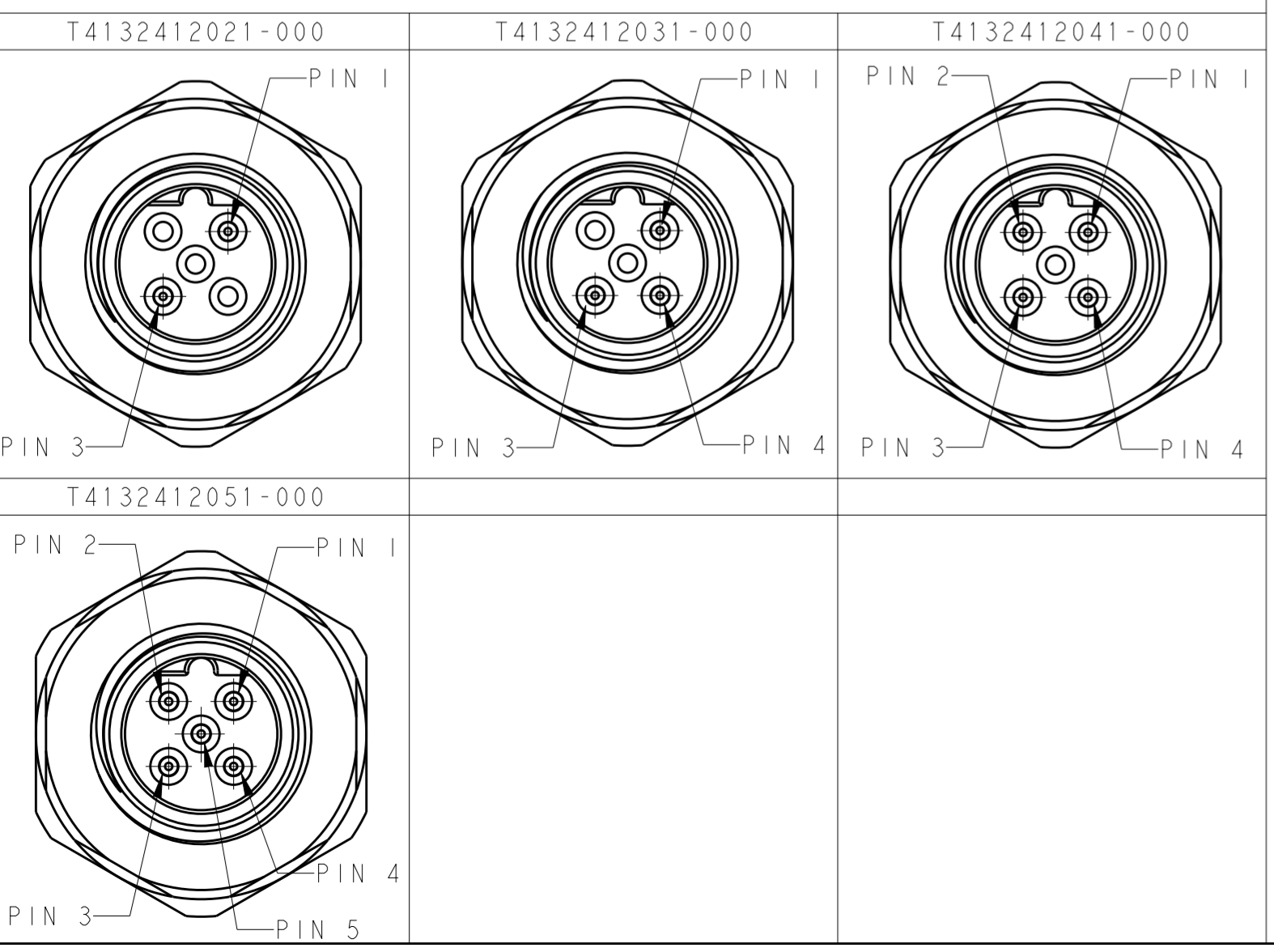
T41324120X1-000

CONTACT FINISH:
 1: GOLD 3u''
 NUMBER OF PINS:
 02: 2 PINS
 03: 3 PINS
 04: 4 PINS
 05: 5 PINS

T41324120X1-000

端子电镀:
 1: 3u''金
 针数:
 02: 2 针
 03: 3 针
 04: 4 针
 05: 5 针

PIN ARRANGEMENT B-CODE



RECOMMENDED PANEL CUTOUT

PART NUMBER	TYPE
T4132412021-000	RPC-M12B-MB-2CON-PG9-LAU
T4132412031-000	RPC-M12B-MB-3CON-PG9-LAU
T4132412041-000	RPC-M12B-MB-4CON-PG9-LAU
T4132412051-000	RPC-M12B-MB-5CON-PG9-LAU

PLATING	MATERIAL	DESCRIPTION	ITEM
3u'' GOLD PLATED	EPOXY RESIN	POTTING ADHESIVE	6
80u'' NICKEL PLATED	COPPER ALLOY	CONTACT	5
BLACK	COPPER ALLOY	METAL NUT	4
80u'' NICKEL PLATED	RUBBER	O-RING	3
	COPPER ALLOY	M12, MALE, METAL BODY	2
	PA66	M12, MALE HSG	1

THIS DRAWING IS A CONTROLLED DOCUMENT. DWN BO GAO 29-Jan-16
 CHK KOBBY ZHAO
 APVD XIANG XU
 PRODUCT SPEC 108-106140
 APPLICATION SPEC 114-137144
 MATERIAL - WEIGHT -
 CUSTOMER DRAWING

NAME M12 PANEL MOUNT CONNECTOR B CODE, MALE, FRONT MOUNTING WIRE SOLDERING
 SIZE A2 CAGE CODE - DRAWING NO. G-T41324120X1000 RESTRICTED TO -
 SCALE 3:1 SHEET 1 OF 1 REV C

STE TE Connectivity