

REVISIONS				
P	LTR	DESCRIPTION	DATE	APVD
A		INITIAL RELEASE	21JAN2019	T.F C.W
B		ECR-19-009136	02AUG2019	C.D C.W
C		ECR-21-124685	21DEC2021	T.F C.W

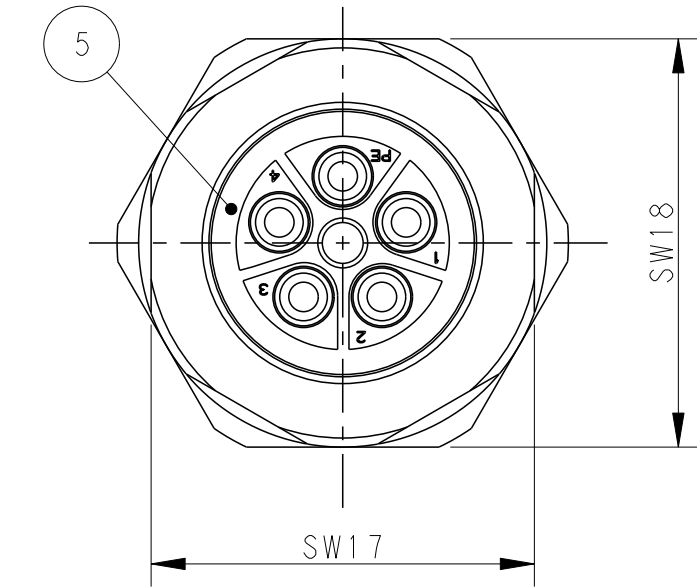
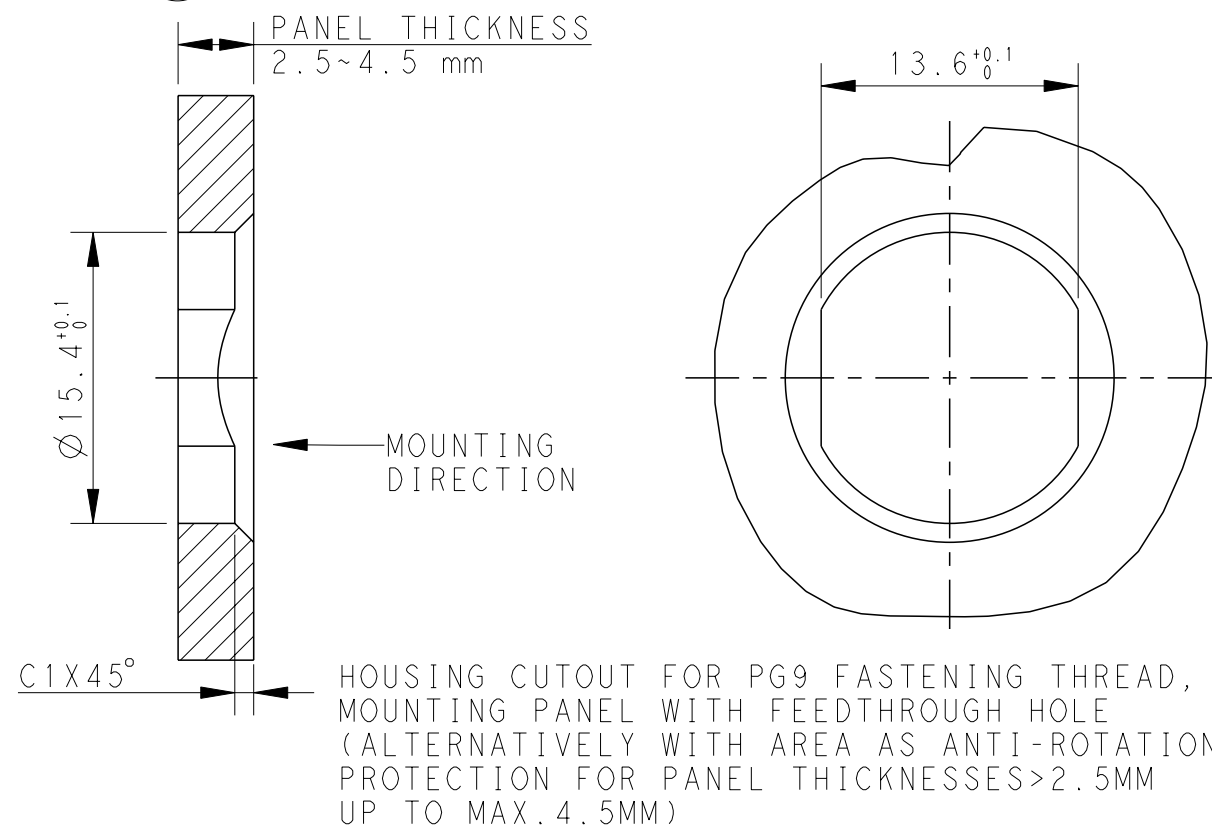


TABLE 1

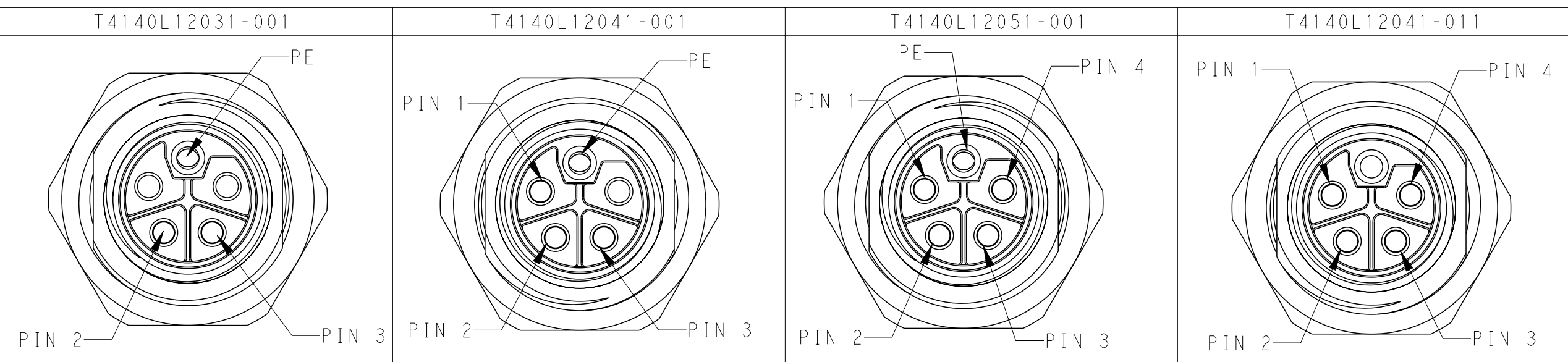
TECHNICAL DATA	T4140L12031-001	T4140L12041-001	T4140L12051-001	T4140L12041-011
RATED VOLTAGE	63V	63V	63V	63V
RATED CURRENT	16A	16A	16A	16A
POLLUTION DEGREE	3	3	3	3
OVERVOLTAGE CATEGORY	IV	IV	IV	IV
MATERIAL GROUP	IIIb	IIIb	IIIb	IIIb
CONTACT RESISTANCE	≤5mΩ	≤5mΩ	≤5mΩ	≤5mΩ
INSULATION RESISTANCE	>100MΩ	>100MΩ	>100MΩ	>100MΩ
DEGREE OF PROTECTION	IP67	IP67	IP67	IP67
OPERATION TEMPERATURE	-40~85°C	-40~85°C	-40~85°C	-40~85°C



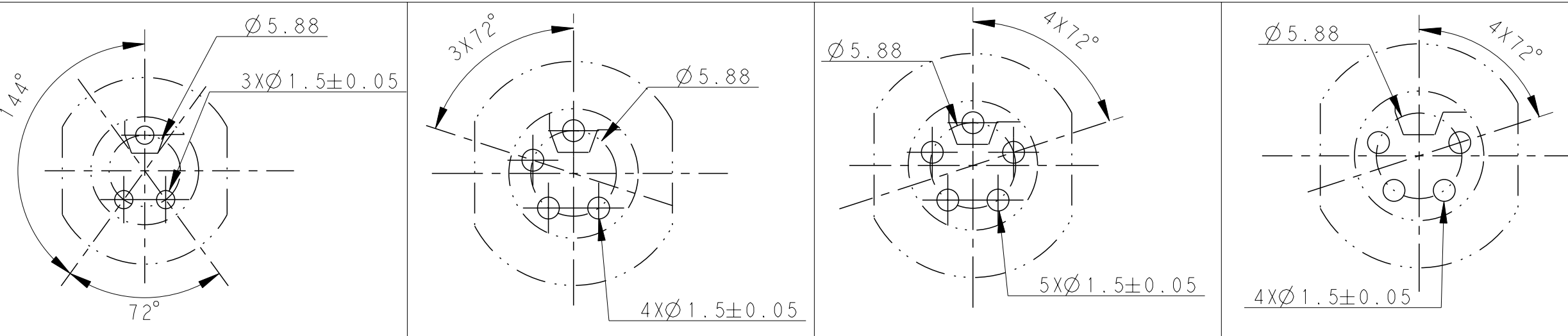
HOUSING CUTOUT FOR PG9 FASTENING THREAD, MOUNTING PANEL WITH FEEDTHROUGH HOLE (ALTERNATIVELY WITH AREA AS ANTI-ROTATION PROTECTION FOR PANEL THICKNESSES > 2.5MM UP TO MAX. 4.5MM)

RECOMMENDED PANEL CUTOUT

PIN ARRANGEMENT L-CODE



RECOMMENDED DRILLING DIAGRAM



NOTE:

1. TECHNICAL DATA: SEE TABLE 1
2. RECOMMENDED PANEL CUTOUT AND PCB LAYOUT SEE DETAIL
3. PACKAGING: 1 PIECE IN A BAG
4. ALL DIMENSIONS ARE FOR NOMINAL REFERENCE ONLY UNLESS OTHERWISE STATED

注释:

1. 技术参数, 见表 1
2. 推荐面板及 PCB 开孔尺寸详见如图所示
3. 包装: 1PCS/袋
4. 所有尺寸仅供参考, 除非另有说明

T4140L12041-011	RPC-M12L-MF-4CON-PG9-LBU11	4
T4140L12031-001	RPC-M12L-MF-3CON-PG9-LBU1	3
T4140L12041-001	RPC-M12L-MF-4CON-PG9-LBU1	4
T4140L12051-001	RPC-M12L-MF-5CON-PG9-LBU1	5
PART NUMBER	TYPE	POS.

BLACK	LCP	M12, MALE HSG, L CODE, 5P	5
GOLD PLATED	COPPER ALLOY	CONTACT	4
NICKEL PLATED	BRASS	METAL NUT	3
BLACK	RUBBER	O-RING	2
NICKEL PLATED	BRASS	M12, FEMALE, METAL BODY	1
OTHERS	MATERIAL	DESCRIPTION	ITEM

THIS DRAWING IS A CONTROLLED DOCUMENT.

DWN	TONY FAN	18JAN2019	 TE Connectivity	M12 PANEL MOUNT CONNECTOR L CODE, MALE, REAR MOUNT, PCB SOLDERING
CHK	GINO YAO	18JAN2019		
APVD	CHRIS WANG	18JAN2019		
PRODUCT SPEC	108-137350			
DIMENSIONS: mm			APPLICATION SPEC	114-137144
TOLERANCES UNLESS OTHERWISE SPECIFIED:			WEIGHT	-
0 PLC	±		SIZE	A200779
1 PLC	±		CAGE CODE	C-T4140L120X1001
2 PLC	±		DRAWING NO	
3 PLC	±		RESTRICTED TO	
4 PLC	±		SCALE	3:1
ANGLES	±		SHEET	1 OF 1
FINISH	-		REV	C
MATERIAL	-		CUSTOMER DRAWING	

Printed on 4 Mar 2022 11:33 (China Standard Time) from TE335911