

THIS DRAWING IS UNPUBLISHED. RELEASED FOR PUBLICATION 20  
 © COPYRIGHT 20 BY - ALL RIGHTS RESERVED.

REVISIONS					
P	LTR	DESCRIPTION	DATE	DWN	APVD
A		INITIAL RELEASE	13MAR2019	T.F	C.W
B		ECR-19-009136	30MAY2019	G.W	C.W
B1		ECR-19-018748	03JAN2020	G.W	C.W

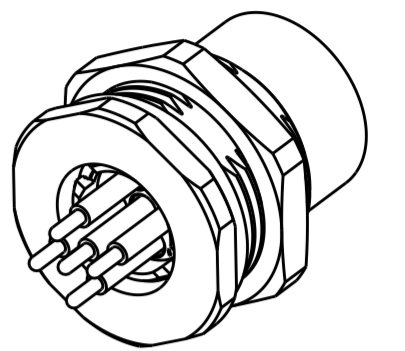
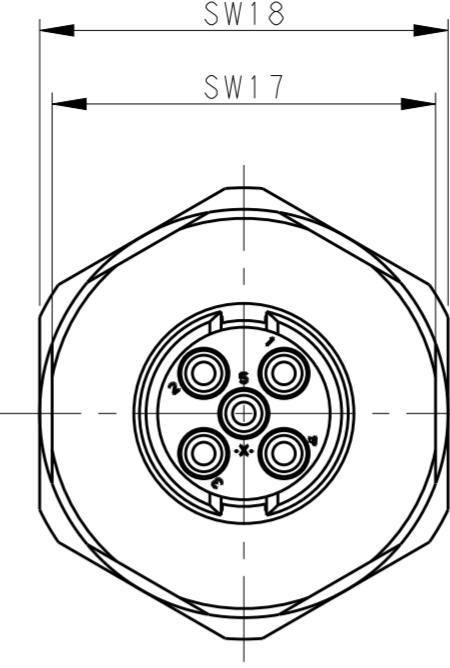
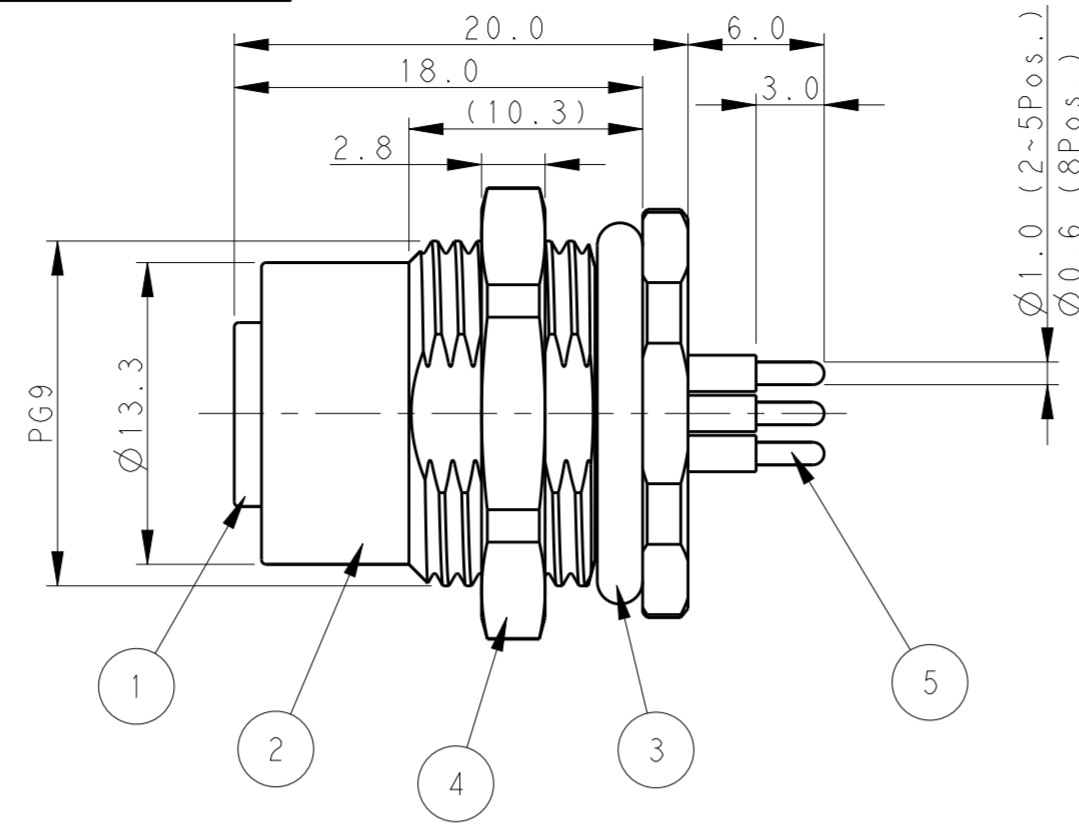
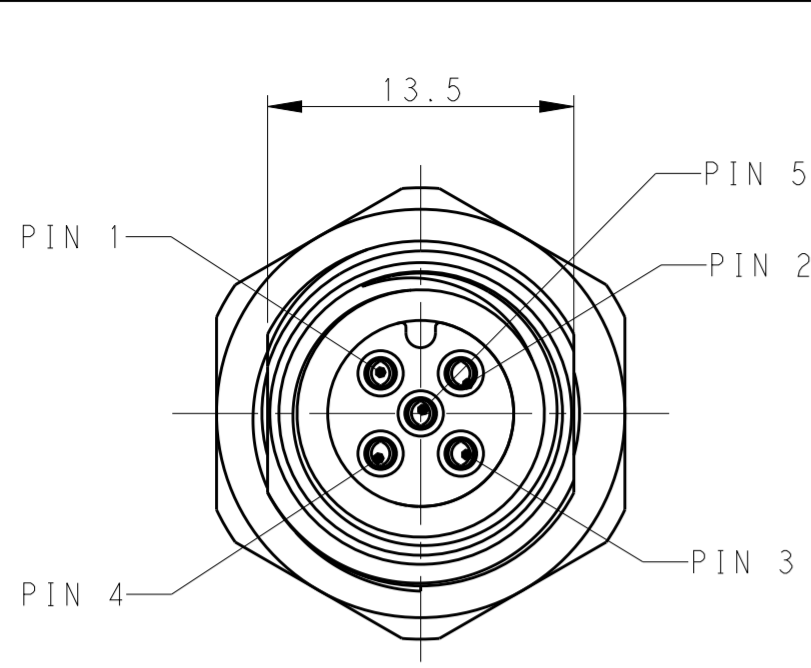
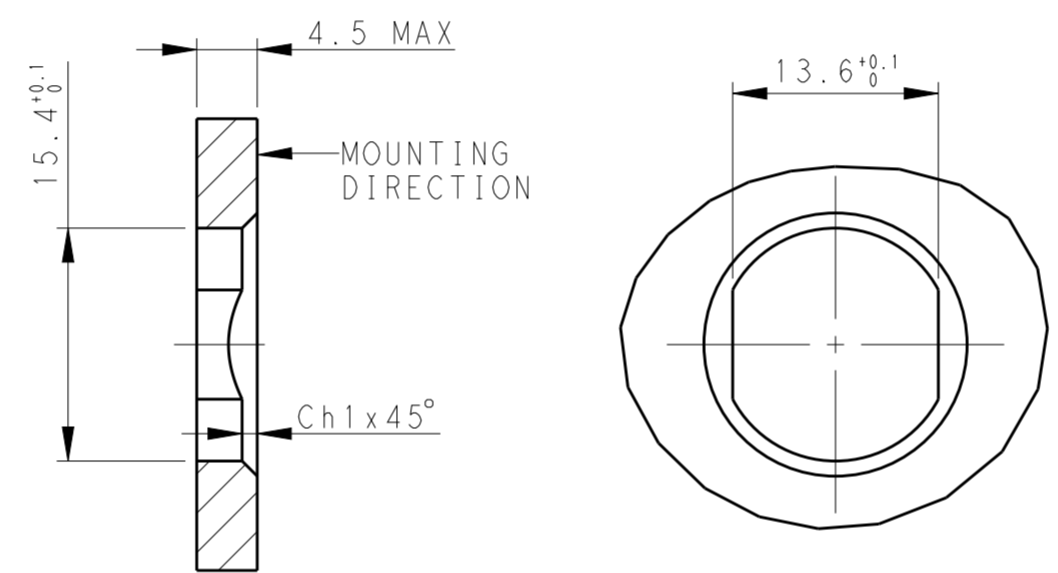


TABLE 1

TECHNICAL DATA	T4141012021-001	T4141012031-001	T4141012041-001	T4141012051-001	T4141012081-001
RATED VOLTAGE	250V	250V	250V	60V	30V
RATED CURRENT	4A	4A	4A	4A	2A
POLLUTION DEGREE	3	3	3	3	3
OVERVOLTAGE CATEGORY	II	II	II	II	II
MATERIAL GROUP	II	II	II	II	II
CONTACT RESISTANCE	<=10mΩ	<=10mΩ	<=10mΩ	<=10mΩ	<=10mΩ
INSULATION RESISTANCE	>100MΩ	>100MΩ	>100MΩ	>100MΩ	>100MΩ
DEGREE OF PROTECTION	IP67	IP67	IP67	IP67	IP67
OPERATION TEMPEATURE	-40~85°C	-40~85°C	-40~85°C	-40~85°C	-40~85°C

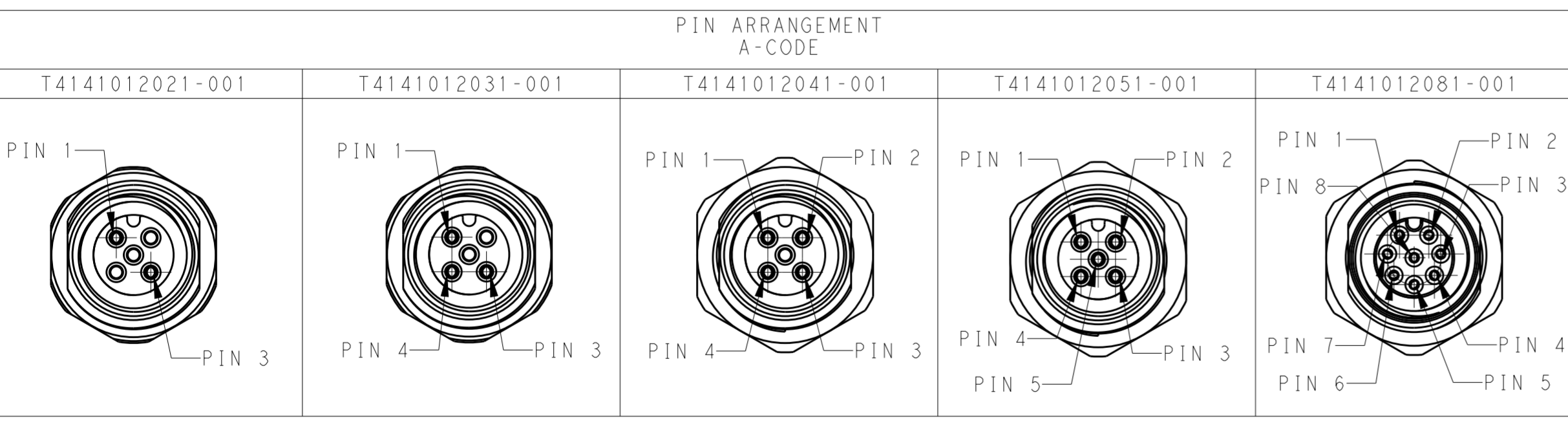


RECOMMENDED PANEL CUTOUT

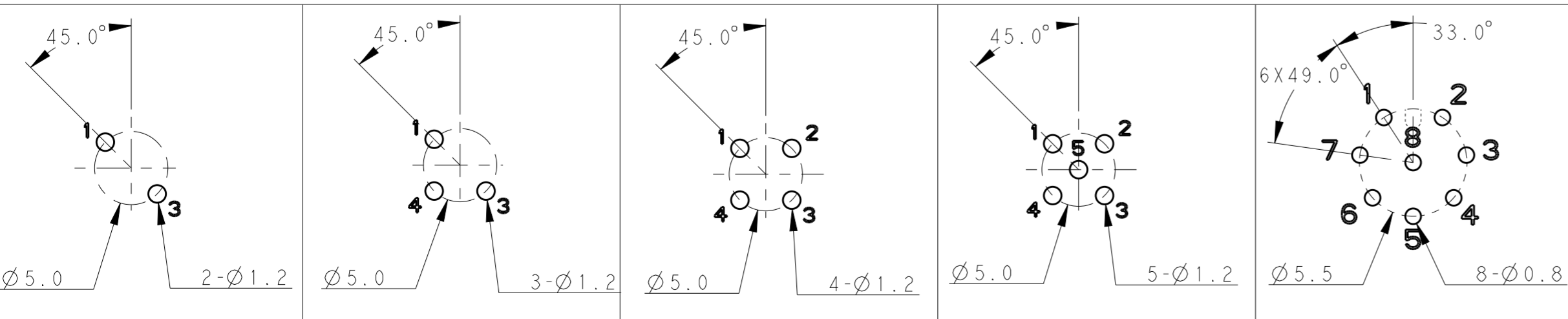
- NOTE:
1. TECHNICAL DATA: SEE TABLE 1
  2. RECOMMENDED MOUNT PANEL SEE DETAIL
  3. PACKAGING: 1PCS/BAG
  4. ALL DIMENSIONS ARE FOR NOMINAL REFERENCE ONLY UNLESS OTHERWISE STATED

- 注释:
1. 技术参数, 见表 1
  2. 推荐开孔尺寸详见如图所示
  3. 包装: 1PCS/袋
  4. 所有尺寸仅供参考, 除非另有说明

T4141012021-001	RPC-M12-FF-2CON-PG9-LBU1	2
T4141012031-001	RPC-M12-FF-3CON-PG9-LBU1	3
T4141012041-001	RPC-M12-FF-4CON-PG9-LBU1	4
T4141012051-001	RPC-M12-FF-5CON-PG9-LBU1	5
T4141012081-001	RPC-M12-FF-8CON-PG9-LBU1	8
TE PN	TYPE	NUMBER OF POLES



RECOMMENDED DRILLING DIAGRAM



PLATING	MATERIAL	DESCRIPTION	ITEM	T4141012021-001	T4141012031-001	T4141012041-001	T4141012051-001	T4141012081-001	
GOLD PLATED	COPPER ALLOY	CONTACT		5	2	3	4	5	8
NICKEL PLATED	COPPER ALLOY	METAL NUT		4	1	1	1	1	1
-	RUBBER	O-RING		3	1	1	1	1	1
NICKEL PLATED	COPPER ALLOY	M12, MALE, METAL BODY		2	1	1	1	1	1
-	PA66	M12, MALE HSG		1	1	1	1	1	1

THIS DRAWING IS A CONTROLLED DOCUMENT.

DWN: TONY FAN 13MAR2019  
 CHK: HART HE 13MAR2019  
 APVD: CHRIS WANG 13MAR2019

STE TE Connectivity

NAME: M12 PANEL MOUNT CONNECTOR A CODE, FEMALE, REAR MOUNTING PCB SOLDERING

PRODUCT SPEC: 108-106140  
 APPLICATION SPEC: 114-137144

MATERIAL: -  
 FINISH: -

WEIGHT: -

CUSTOMER DRAWING

SIZE: A2  
 CAGE CODE: -  
 DRAWING NO: C-T41410120X1001  
 RESTRICTED TO: -

SCALE: 3:1  
 SHEET: 1 OF 1  
 REV: B1