

THIS DRAWING IS UNPUBLISHED. RELEASED FOR PUBLICATION 20
 © COPYRIGHT 20 BY - ALL RIGHTS RESERVED.

REVISIONS					
P	LTR	DESCRIPTION	DATE	DWN	APVD
A		INITIAL RELEASE	13MAR2019	T.F	C.W
B		ECR-19-009136	30MAY2019	G.W	C.W
B1		ECR-19-018748	03JAN2020	G.W	C.W

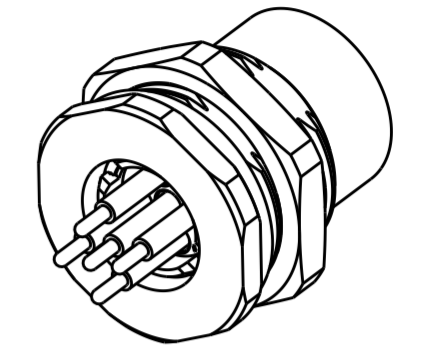
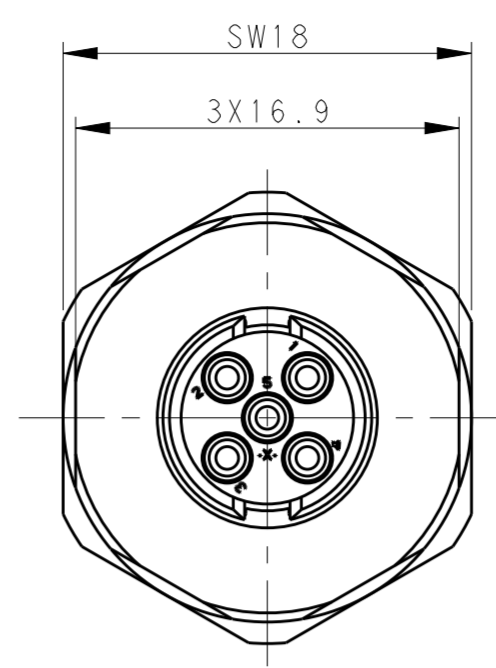
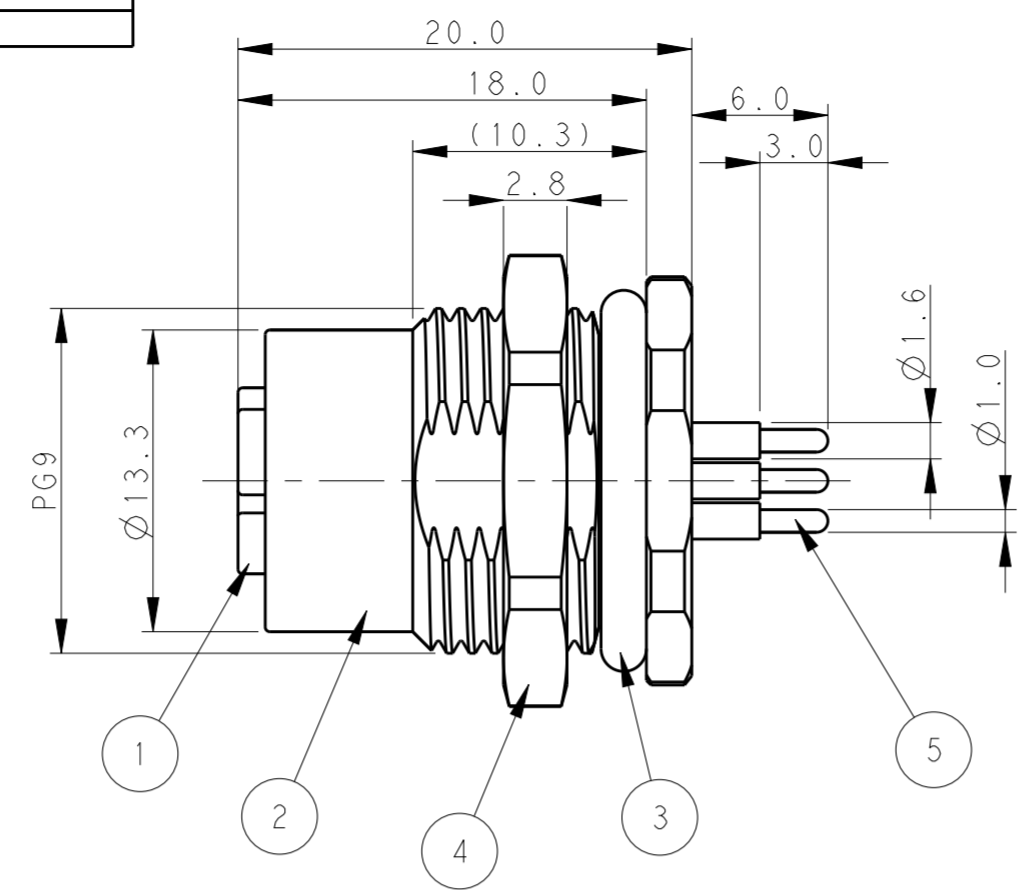
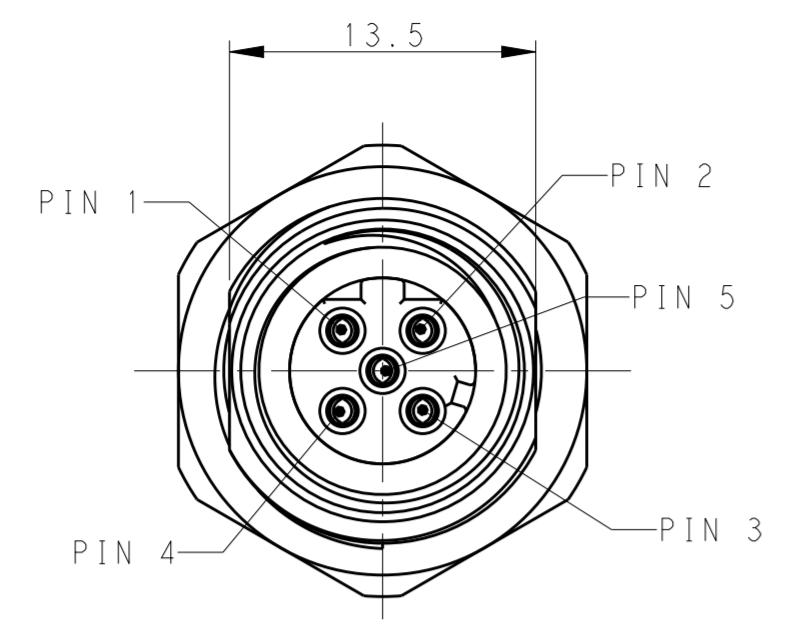
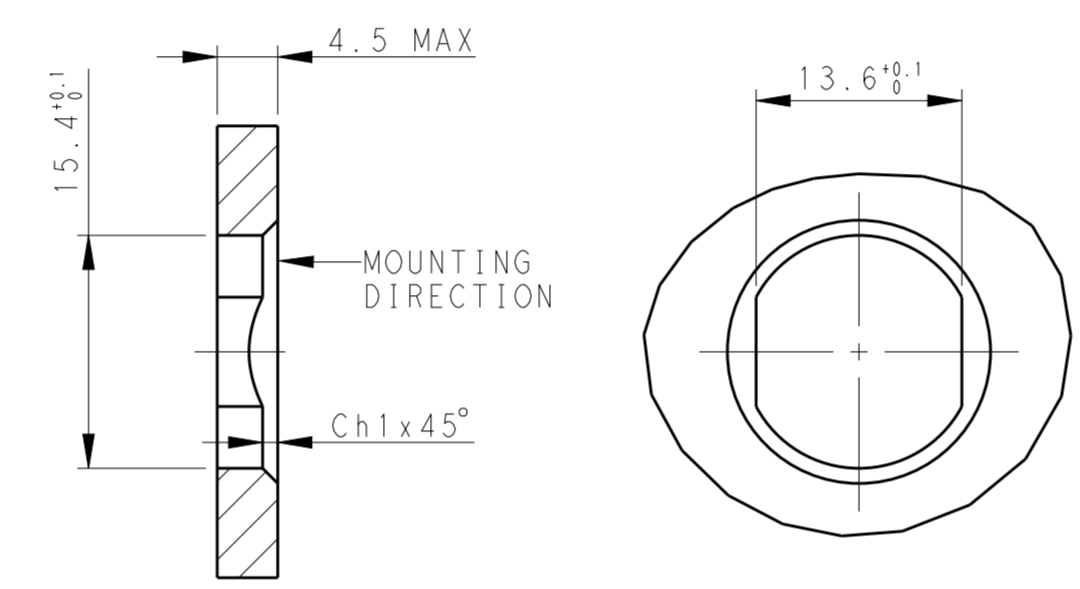


TABLE 1

TECHNICAL DATA	T4141512021-001	T4141512031-001	T4141512041-001	T4141512051-001
RATED VOLTAGE	250V	250V	250V	60V
RATED CURRENT	4A	4A	4A	4A
POLLUTION DEGREE	3	3	3	3
OVERVOLTAGE CATEGORY	II	II	II	II
MATERIAL GROUP	II	II	II	II
CONTACT RESISTANCE	<=10mΩ	<=10mΩ	<=10mΩ	<=10mΩ
INSULATION RESISTANCE	>100MΩ	>100MΩ	>100MΩ	>100MΩ
DEGREE OF PROTECTION	IP67	IP67	IP67	IP67
OPERATION TEMPERATURE	-40~85°C	-40~85°C	-40~85°C	-40~85°C



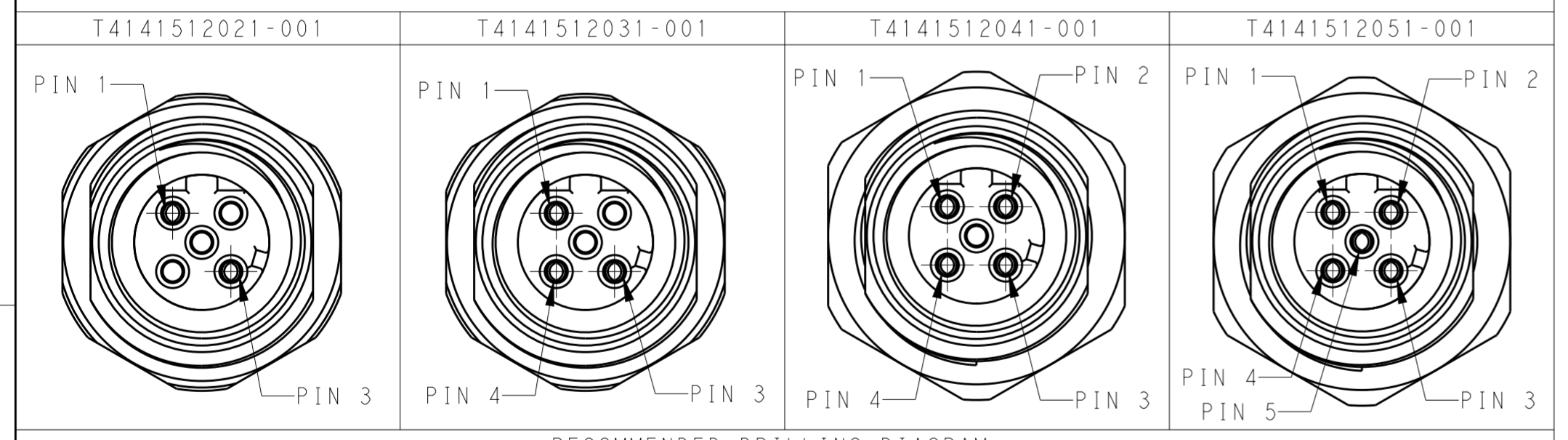
RECOMMENDED PANEL CUTOUT

- NOTE:
1. TECHNICAL DATA: SEE TABLE 1
 2. RECOMMENDED MOUNT PANEL SEE DETAIL
 3. PACKAGING: 1PCS/BAG
 4. ALL DIMENSIONS ARE FOR NOMINAL REFERENCE ONLY UNLESS OTHERWISE STATED

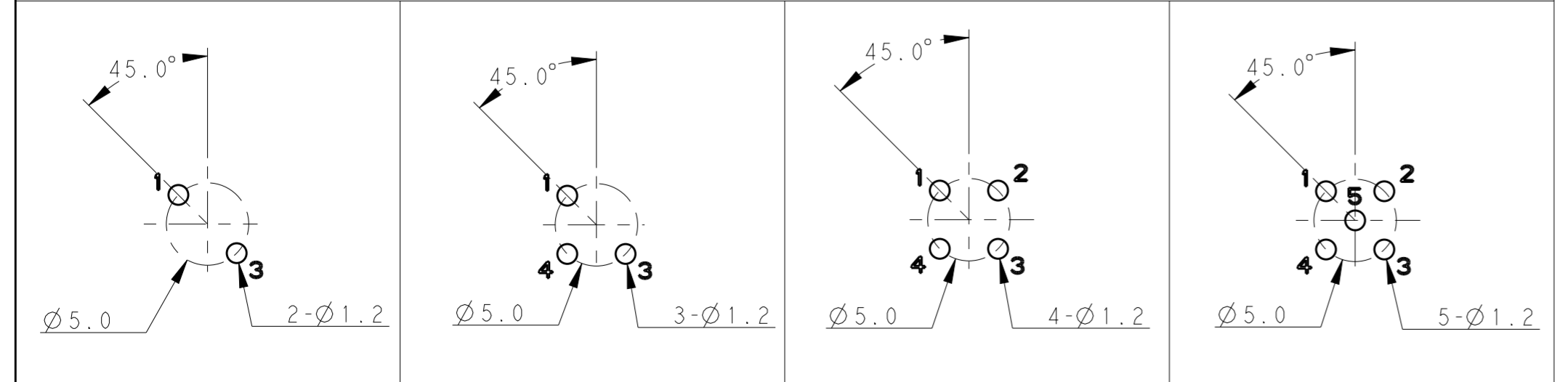
- 注释:
1. 技术参数, 见表1
 2. 推荐开孔尺寸详见如图所示
 3. 包装: 1PCS/袋
 4. 所有尺寸仅供参考, 除非另有说明

TE PN	TYPE	NUMBER OF POLES
T4141512021-001	RPC-M12D-FF-2CON-PG9-LBU1	2
T4141512031-001	RPC-M12D-FF-3CON-PG9-LBU1	3
T4141512041-001	RPC-M12D-FF-4CON-PG9-LBU1	4
T4141512051-001	RPC-M12D-FF-5CON-PG9-LBU1	5

PIN ARRANGEMENT D-CODE



RECOMMENDED DRILLING DIAGRAM



PLATING	MATERIAL	DESCRIPTION	ITEM
GOLD PLATED	COPPER ALLOY	CONTACT	5 2 3 4 5
NICKEL PLATED	COPPER ALLOY	METAL NUT	4 1 1 1 1
-	RUBBER	O-RING	3 1 1 1 1
NICKEL PLATED	COPPER ALLOY	M12, MALE, METAL BODY	2 1 1 1 1
-	PA66	M12, MALE HSG	1 1 1 1 1

THIS DRAWING IS A CONTROLLED DOCUMENT.

DWN: TONY FAN 13MAR2019
 CHK: HART HE 13MAR2019
 APVD: CHRIS WANG 13MAR2019

STE TE Connectivity

NAME: M12 PANEL MOUNT CONNECTOR D CODE, FEMALE, REAR MOUNTING PCB SOLDERING

PRODUCT SPEC: 108-106140
 APPLICATION SPEC: -
 WEIGHT: -

MATERIAL: -
 FINISH: -

CUSTOMER DRAWING

SCALE: 3:1 SHEET 1 OF 1 REV B1