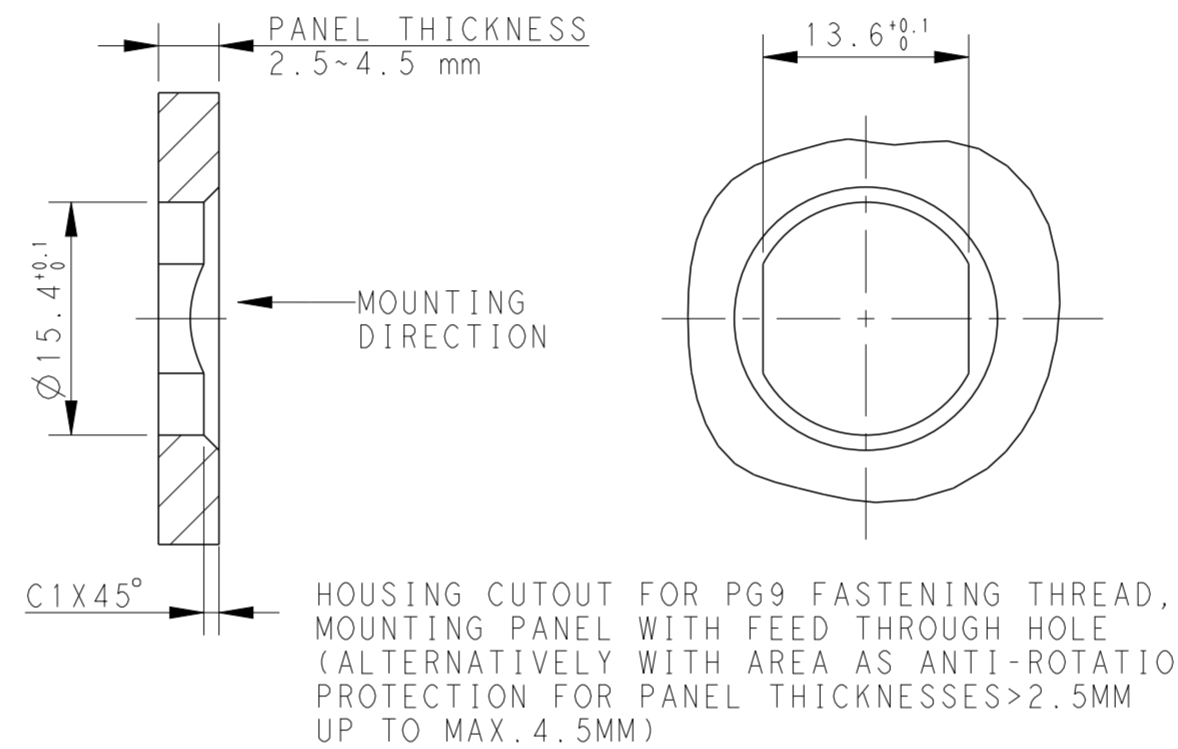
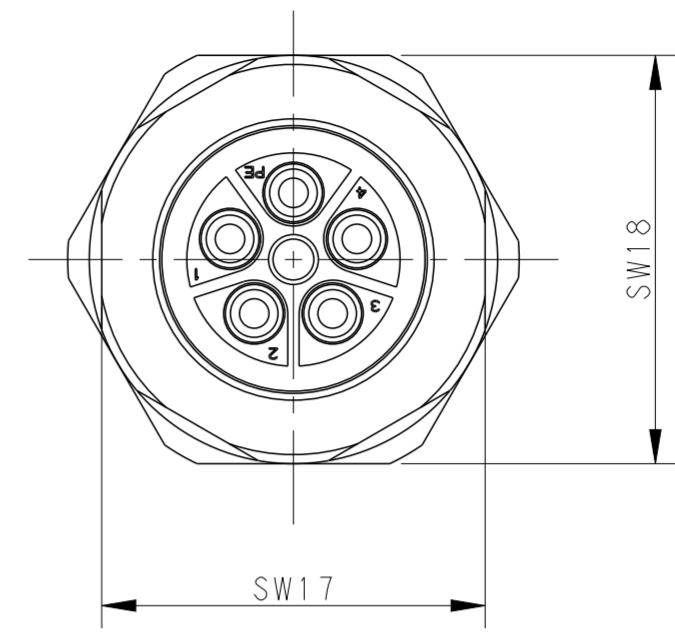
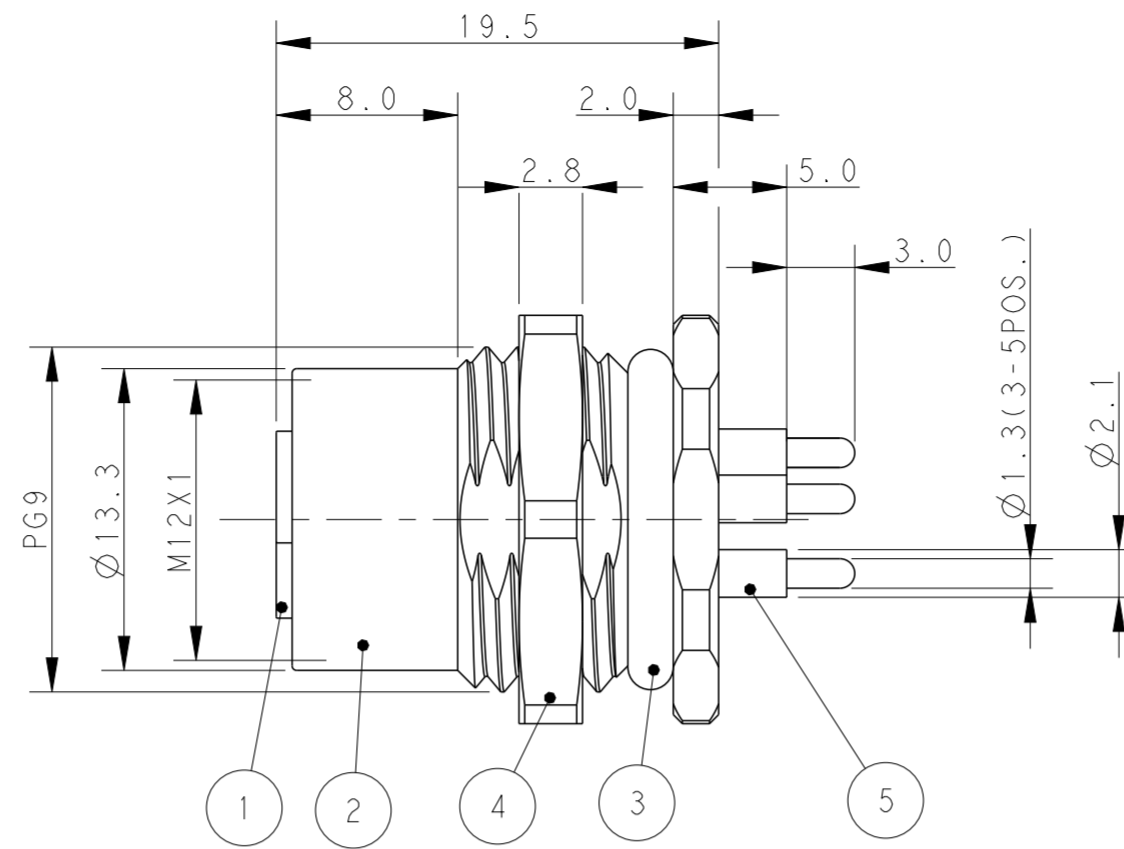
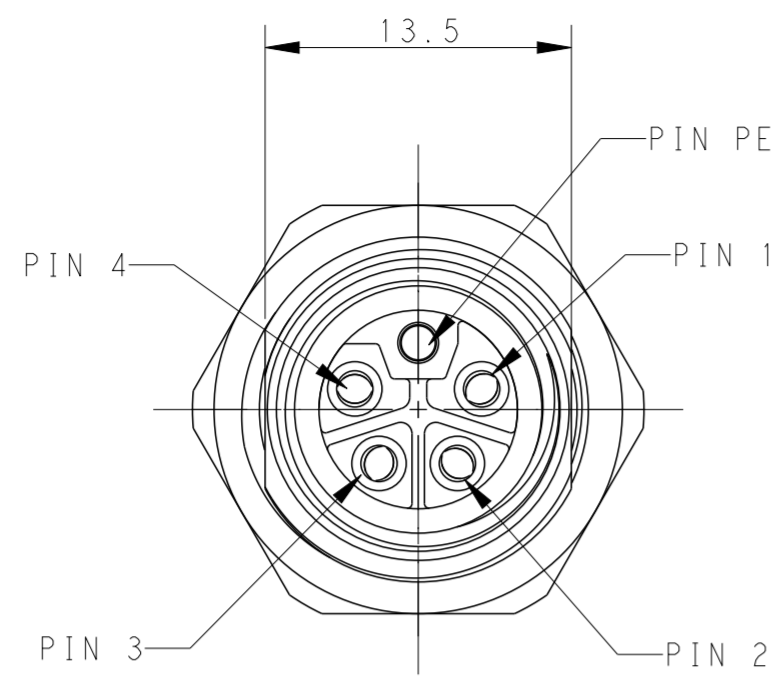


REVISIONS

P	LTR	DESCRIPTION	DATE	DWN	APVD
A		INITIAL RELEASE	21JAN2019	T.F	C.W
B		ECR-19-009136	01AUG2019	C.D	C.W
B1		ECR-22-127055	24JAN2022	T.F	C.W



RECOMMENDED PANEL CUTOUT

NOTE:

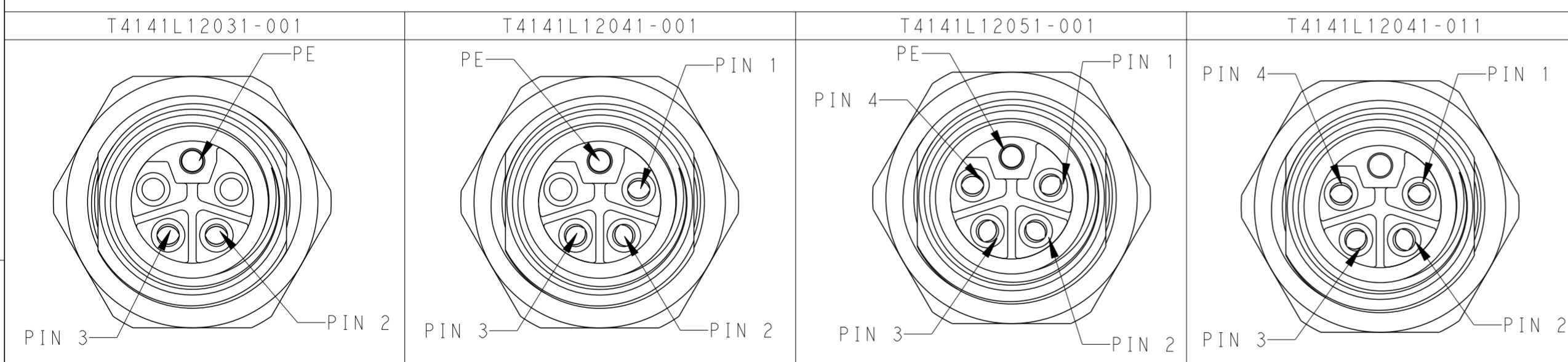
1. TECHNICAL DATA: SEE TABLE 1
2. RECOMMENDED PANEL CUTOUT AND PCB LAYOUT SEE DETAIL
3. PRODUCT COMPLIES WITH IEC61076-2-111
4. ALL MATERIALS TO BE ROHS COMPLIANT
5. ALL MATERIALS TO BE REACH COMPLIANT
6. PACKAGING: 1 PIECE IN A BAG
7. ALL DIMENSIONS ARE FOR NOMINAL REFERENCE ONLY UNLESS OTHERWISE STATED

注释:

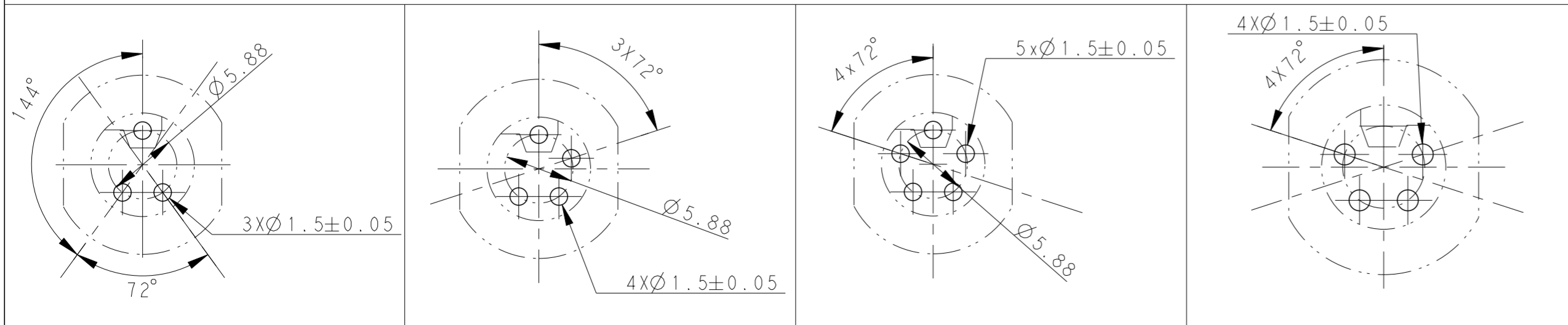
1. 技术参数, 见表1
2. 推荐面板及PCB开孔尺寸详见如图所示
3. 产品符合标准IEC61076-2-111
4. 所有材料符合ROHS参照标准TEC-138-705
5. 所有材料符合REACH参照标准TEC-138-705
6. 包装: 1PCS/袋
7. 所有尺寸仅供参考, 除非另有说明

TECHNICAL DATA	T4141L12051-001	T4141L12041-001	T4141L12031-001	T4141L12041-011
RATED VOLTAGE	63V	63V	63V	63V
RATED CURRENT	16A	16A	16A	16A
POLLUTION DEGREE	3	3	3	3
OVERVOLTAGE CATEGORY	IV	IV	IV	IV
MATERIAL GROUP	IIIb	IIIb	IIIb	IIIb
CONTACT RESISTANCE	≤5mΩ	≤5mΩ	≤5mΩ	≤5mΩ
INSULATION RESISTANCE	>100MΩ	>100MΩ	>100MΩ	>100MΩ
DEGREE OF PROTECTION	IP67	IP67	IP67	IP67
OPERATION TEMPERATURE	-40~85°C	-40~85°C	-40~85°C	-40~85°C

PIN ARRANGEMENT L-CODE



RECOMMENDED DRILLING DIAGRAM



T4141L12041-011	RPC-M12L-FF-4CON-PG9-LBU11	4
T4141L12031-001	RPC-M12L-FF-3CON-PG9-LBU1	3
T4141L12041-001	RPC-M12L-FF-4CON-PG9-LBU1	4
T4141L12051-001	RPC-M12L-FF-5CON-PG9-LBU1	5
PART NUMBER	TYPE	POS.

GOLD PLATED	COPPER ALLOY	CONTACT	5
NICKEL PLATED	BRASS	METAL NUT	4
BLACK	RUBBER	O-RING	3
NICKEL PLATED	BRASS	M12, FEMALE, METAL BODY	2
-	LCP	M12, FEMALE HSG	1
OTHERS	MATERIAL	DESCRIPTION	ITEM

THIS DRAWING IS A CONTROLLED DOCUMENT.

DIMENSIONS: mm

TOLERANCES UNLESS OTHERWISE SPECIFIED:

0 PLC	±
1 PLC	±
2 PLC	±
3 PLC	±
4 PLC	±
ANGLES	±
FINISH	-

MATERIAL: -

FINISH: -

APVD: TONY FAN 20JAN2019

CHK: GINO YAO 20JAN2019

APVD: CHRIS WANG 20JAN2019

PRODUCT SPEC: 108-137350

APPLICATION SPEC: 114-137144

WEIGHT: -

CUSTOMER DRAWING

SCALE: 5:1

SHEET: 1 OF 1

REV: B1

NAME: M12 PANEL MOUNT CONNECTOR L CODE, FEMALE, REAR MOUNT, PCB SOLDERING

SIZE: A2

CAGE CODE: 00779

DRAWING NO: C-T4141L120X1001

RESTRICTED TO: -