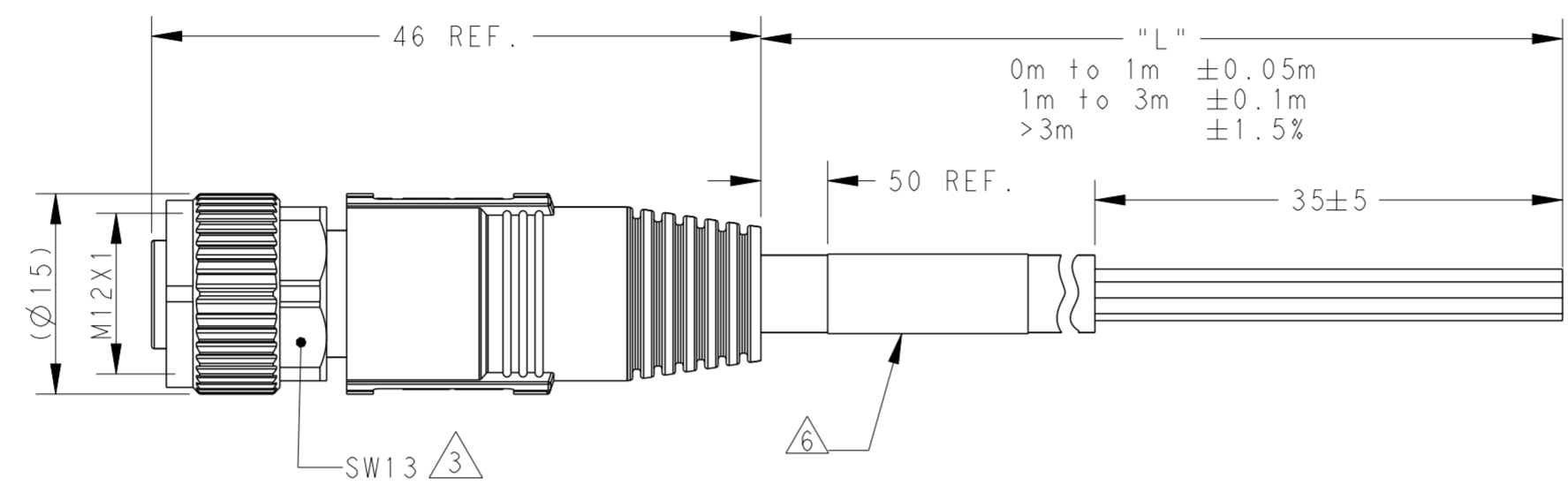
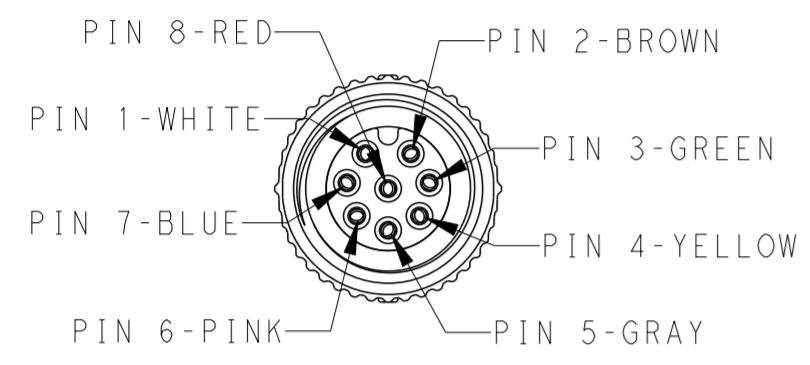


THIS DRAWING IS UNPUBLISHED. RELEASED FOR PUBLICATION 20
 © COPYRIGHT 20 BY - ALL RIGHTS RESERVED.

ITEM	DESCRIPTION	MATERIAL	OTHERS
1	FEMALE CONTACT	BRONZE	GOLD PLATED
2	HOUSING	NYLON	BLACK
3	COUPLING NUT	ZAMACK	NICKEL PLATED
4	OVER-MOLDING	POLYURETHANE	BLUE
5	CABLE	-	-
6	LABEL	-	-

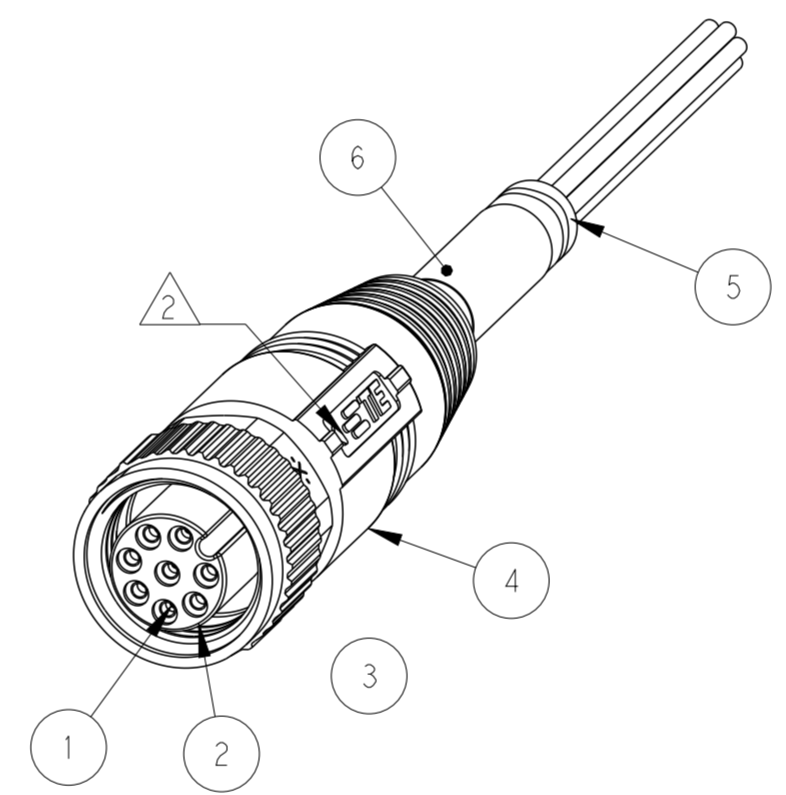
REVISIONS					
P	LTR	DESCRIPTION	DATE	DWN	APVD
	A	INITIAL RELEASE	05DEC2016	HW	XX
	A1	ECR-18-016060	13OCT2018	G.W	C.W
	B	ECR-22-134410	31OCT2022	BP	CW

NOTE:
 1. TECHNICAL DATA:SEE TABLE 1
 2. CODE POSITION INDICATOR
 3. RECOMMENDED TORQUE 0.6 Nm
 4. -X.X:CABLE LENGTH
 -0.5:0.5M,
 -1.0:1.0M,
 -1.5:1.5M,
 5. CABLE ASSEMBLY TO BE PACKAGED IN POLYBAGS
 6. LABEL CONTAINS: PN, DATE CODE...
 7. SEE TABLE 2,REFER TO LENGTH "L"
 CABLE LENGTH CODE:
 STANDARD LENGTH:001...007
 CUSTOMIZATION LENGTH: >1.0M;XX0 OR XX5
 EXAMPLE:3.5M:035;15.0M:150...
 <1.0M;99X
 EXAMPLE:0.4M:994;...0.9M:999



FOR CONFIGURED PARTS ONLINE, MATERIAL PART NUMBER START WITH C INSTEAD OF T, THESE CAN ONLY ORDER THROUGH CTO TOOL

注释:
 1. 技术参数:参考表 1
 2. CODE位置指示
 3. 推荐扭矩0.6 Nm
 4. -X.X:线缆长度
 -0.5:0.5M,
 -1.0:1.0M,
 -1.5:1.5M,
 5. 线缆组件塑料袋包装
 6. 标签包含: 产品编号, 日期代码...
 7. 参照表2,参考长度"L"
 线缆长度编码:
 标准长度:001...007
 定制长度:>1.0M;XX0 或 XX5
 例如:3.5M:035;15.0M:150...
 <1.0M;99X
 例如:0.4M:994;...0.9M:999



对于在线定制的料号, 相关料号用C替代T, 这些料号通过CTO工具产生

TABLE 1

TECHNICAL DATA	T41513X00X8-00X
RATED VOLTAGE	MAX. 30V AC/DC
RATED CURRENT	MAX. 2A
POLLUTION DEGREE	3
OVERVOLTAGE CATEGORY	II
MATERIAL GROUP	II
DEGREE OF PROTECTION	IP67

TABLE 2

CABLE CHARACTERISTIC 线缆特性	LENGTH "L" 长度 "L"	CABLE TEMP. RANGE	JACKET COLOR	JACKET MATERIAL	TYPE 型号	POS.	TE PN TE 料号
WIRES: 0.25mm ² (24AWG) WIRE COLOR: WHITE/BROWN/GREEN/YELLOW/ GRAY/PINK/BLUE/RED OD: APPROX.6.0MM FOR 8P	STANDARD: -001:0.5M -002:1.0M -003:1.5M -004:3.0M -005:5.0M -006:7.0M -007:10.0M CUSTOMIZATION: -XX0:XX.0 M -XX5:XX.5 M -99X: 0.X M	FIXED: -40°C~+80°C FLXIBLE: -25°C~+80°C	YELLOW	PUR	RPC-M12-FS-8CON-PUR1-X.X ⁴	8	T4151320068-00X ⁷
			GRAY	PUR	RPC-M12-FS-8CON-PUR-X.X ⁴	8	T4151320008-00X ⁷
			BLACK	PVC	RPC-M12-FS-8CON-PVC-X.X ⁴	8	T4151310008-00X ⁷

THIS DRAWING IS A CONTROLLED DOCUMENT.

DWN HAO WANG 24AUG2016	TE Connectivity
CHK KOBBOY ZHAO 24AUG2016	
APVD XIANG XU 24AUG2016	
NAME M12X1 STRAIGHT RECEPTACLE, FREE END A-CODE, 8P UN-SHIELDED,	
DIMENSIONS: mm	PRODUCT SPEC 108-106140
TOLERANCES UNLESS OTHERWISE SPECIFIED: 0 PLC ± 1 PLC ± 2 PLC ± 3 PLC ± 4 PLC ± ANGLES ± FINISH	APPLICATION SPEC 114-137144
MATERIAL	WEIGHT
CUSTOMER DRAWING	
SIZE A2	SCALE 2:1
CAGE CODE	SHEET 1 OF 1
DRAWING NO G-T41513X000800X	REV B