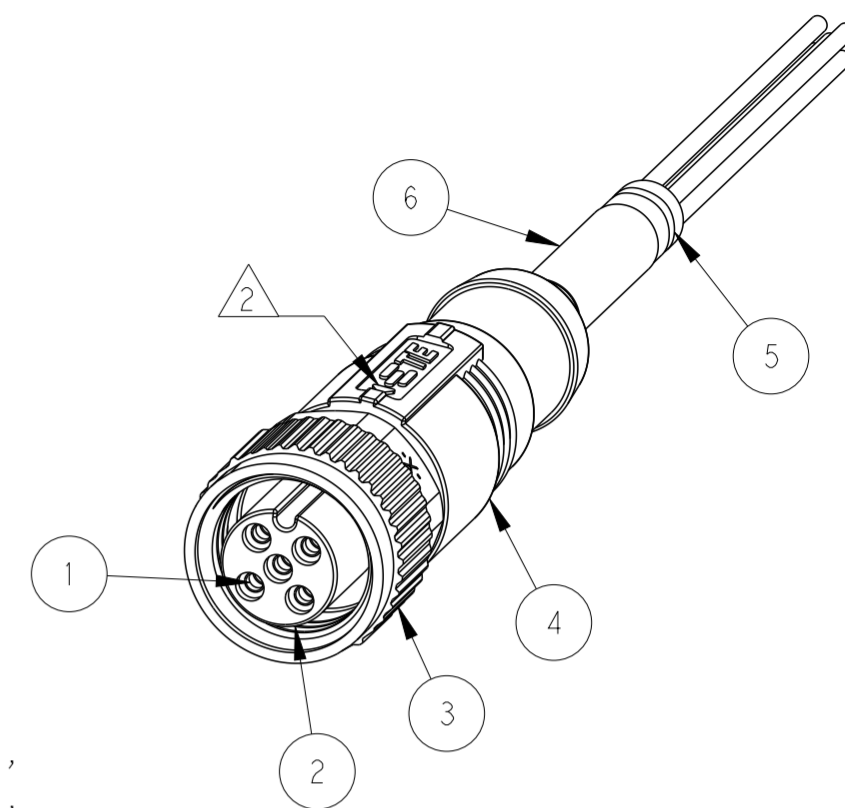
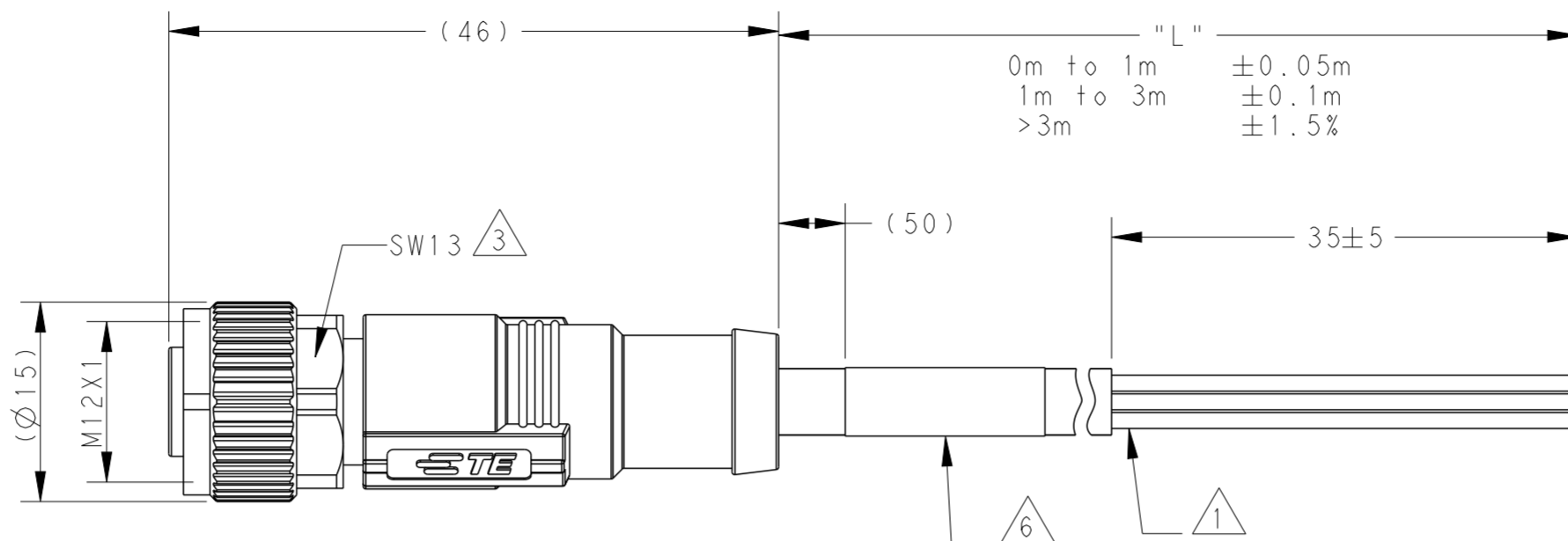
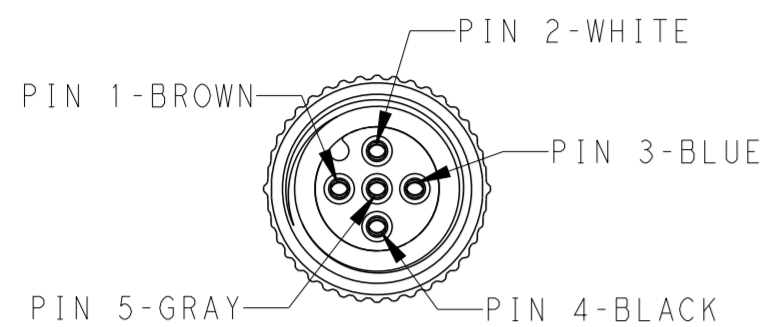


THIS DRAWING IS UNPUBLISHED. RELEASED FOR PUBLICATION 20
 © COPYRIGHT 20 BY - ALL RIGHTS RESERVED.

| REVISIONS | | | | | |
|-----------|-----|--------------------------|-----------|-----|------|
| P | LTR | DESCRIPTION | DATE | DWN | APVD |
| A2 | | ECR-16-015173 | 29OCT2016 | BP | CW |
| B | | ECR-18-019963 | 28DEC2018 | G.W | C.W |
| B1 | | ECR-22-134410 | 28OCT2022 | BP | CW |
| B2 | | ECR-24-212908 ADD NEW PN | 25JUN2024 | F.Y | C.W |

| ITEM | DESCRIPTION | MATERIAL | OTHERS |
|------|----------------|--------------|---------------|
| 1 | FEMALE CONTACT | BRONZE | GOLD PLATED |
| 2 | HOUSING | NYLON | BLACK |
| 3 | COUPLING NUT | ZAMACK | NICKEL PLATED |
| 4 | OVER-MOLDING | POLYURETHANE | BLUE |
| 5 | CABLE | - | - |
| 6 | LABEL | - | - |



NOTE:

- △1. STRIP ALL THE INSULATION;
- △2. CODE POSITION INDICATOR;
- △3. RECOMMENDED TORQUE 0.6 Nm;
- △4. - **: CABLE LENGTH
 -0.5:0.5M,
 -1.0:1.0M,
 -1.5:1.5M,
 -3.0:3.0M,
 -5.0:5.0M,
 -7.0:7.0M,
 -10.0:10.0M;
- 5. CABLE ASSEMBLY TO BE PACKAGED IN POLYBAGS;
- △6. LABEL CONTAINS: PN, DATE CODE...;
- △. -00X: FOR CABLE LENGTH, SEE TABLE 1 AND REFER TO LENGTH "L".

注释:

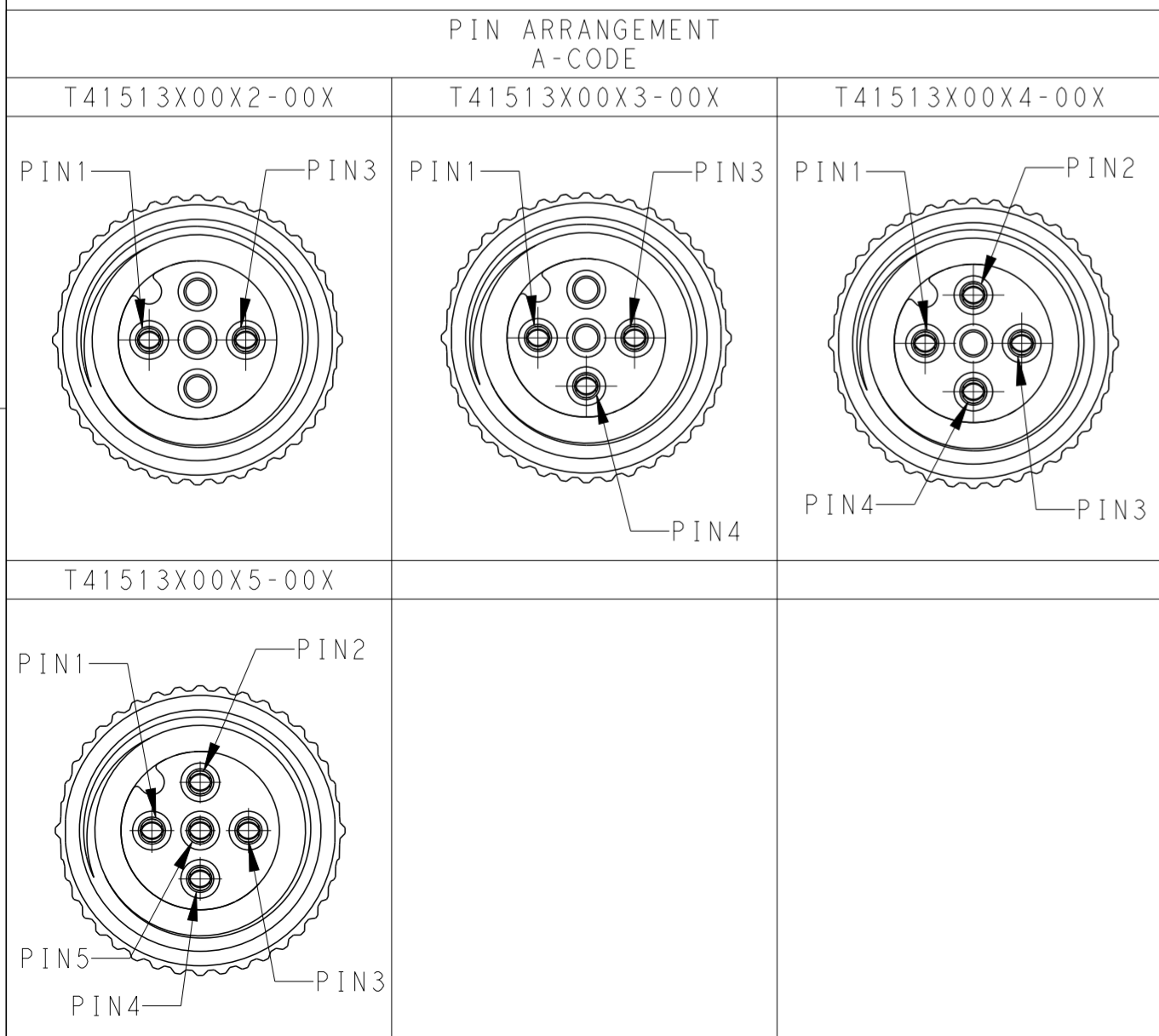
- △1. 全剥护套绝缘层;
- △2. CODE位置指示;
- △3. 推荐扭矩0.6 Nm;
- △4. - **: 线缆长度
 -0.5:0.5M,
 -1.0:1.0M,
 -1.5:1.5M,
 -3.0:3.0M,
 -5.0:5.0M,
 -7.0:7.0M,
 -10.0:10.0M;
- 5. 线缆组件塑料袋包装;
- △6. 标签包含: 产品编号, 日期代码...;
- △. -00X: 线缆长度, 参考表1, 参照长度 "L".

FOR CONFIGURED PARTS ONLINE, MATERIAL PART NUMBER START WITH C INSTEAD OF T, THESE CAN ONLY ORDER THROUGH CTO TOOL

对于在线定制的料号, 相关料号用C替代T, 这些料号通过CTO工具产生

| TECHNICAL DATA | T41513X00X2-00X | T41513X00X3-00X | T41513X00X4-00X | T41513X00X5-00X |
|-----------------------|-----------------|-----------------|-----------------|-----------------|
| RATED VOLTAGE | 250V | | 60V | |
| RATED IMPULSE VOLTAGE | 2500V | | 1500V | |
| RATED CURRENT | 4A | | | |
| POLLUTION DEGREE | 3 | | | |
| OVERVOLTAGE CATEGORY | II | | | |
| MATERIAL GROUP | II | | | |
| DEGREE OF PROTECTION | IP67 | | | |

| WIRES | WIRE COLOR | OD | TEMP. | JACKET COLOR | JACKET MATERIAL | TYPE | POS. | TABLE 1 TE PN |
|--|------------|----------|----------------------|--------------|--------------------------|--------------------------------|------------------|------------------|
| WIRES: 0.50mm ² (20AWG) WIRE COLOR: WH/BR/BK/BL/GR OD: APPROX. 5.4MM FOR 4P 5.9MM FOR 5P | BLACK | PUR (UL) | FIXED: -40°C~+80°C | BLACK | PUR (UL) | RPC-M12-FS-5CON-PUR-BK0.5-**△4 | 5 | T4151380015-00X△ |
| | | | FLXIBLE: -25°C~+80°C | | | RPC-M12-FS-4CON-PUR-BK0.5-**△4 | 4 | T4151380014-00X△ |
| WIRES: 0.50mm ² (20AWG) WIRE COLOR: WH/BR/BK/BL/GR OD: APPROX. 5.0MM | BLACK | PVC (UL) | FIXED: -10°C~+80°C | BLACK | PVC (UL) | RPC-M12-FS-4CON-PVC-**S0.5△4 | 4 | T4151350004-00X△ |
| | | | FLXIBLE: -5°C~+80°C | | | | | |
| WIRES: 0.34mm ² (22AWG) WIRE COLOR: WH/BR/BK/BL/GR OD: APPROX. 4.5MM FOR 2P/3P APPROX. 5.5MM FOR 4P/5P | GRAY | PUR (UL) | FIXED: -40°C~+80°C | GRAY | PUR (UL) | RPC-M12-FS-5CON-PUR-**△4 | 5 | T4151320005-00X△ |
| | | | FLXIBLE: -25°C~+80°C | | | RPC-M12-FS-4CON-PUR-**△4 | 4 | T4151320004-00X△ |
| | | | | | | RPC-M12-FS-3CON-PUR-**△4 | 3 | T4151320003-00X△ |
| | BLACK | PVC (UL) | FIXED: -10°C~+80°C | BLACK | PVC (UL) | RPC-M12-FS-5CON-PVC-**△4 | 5 | T4151310005-00X△ |
| | | | FLXIBLE: -5°C~+80°C | | | RPC-M12-FS-4CON-PVC-**△4 | 4 | T4151310004-00X△ |
| | | | | | | RPC-M12-FS-3CON-PVC-**△4 | 3 | T4151310003-00X△ |
| | | | | | RPC-M12-FS-2CON-PVC-**△4 | 2 | T4151310002-00X△ | |

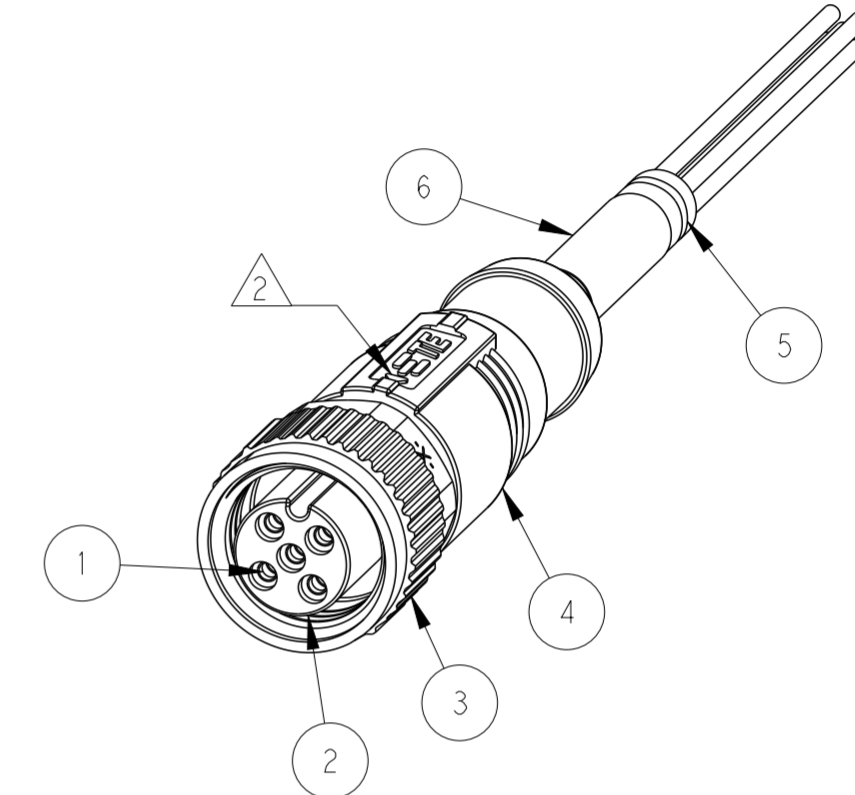
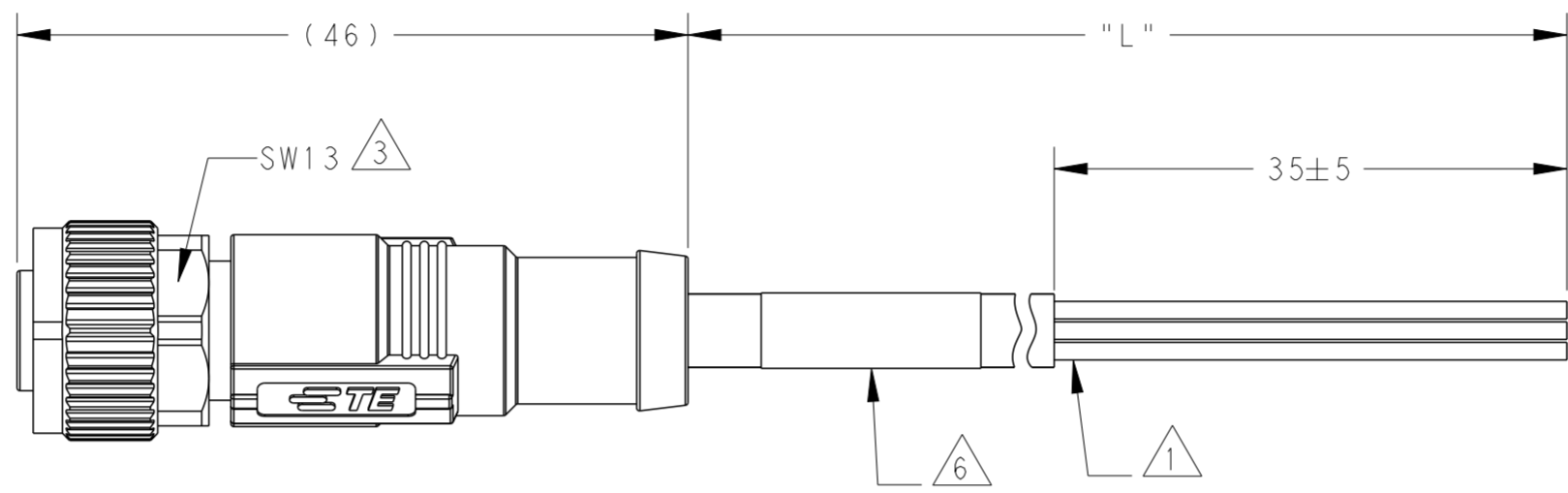
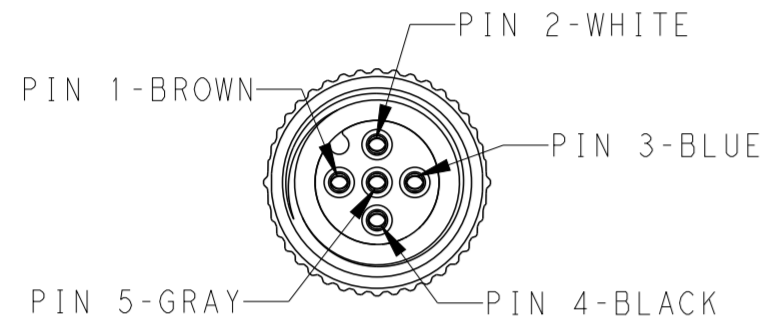


| | | | | |
|--|--|--------------------------|--|--|
| THIS DRAWING IS A CONTROLLED DOCUMENT. | | DWN HAO WANG 11AUG2015 | TE Connectivity | |
| DIMENSIONS: mm | | CHK KOBBY ZHAO 11AUG2015 | | |
| TOLERANCES UNLESS OTHERWISE SPECIFIED: | | APVD XIANG XU 11AUG2015 | NAME M12X1 STRAIGHT RECEPTACLE, FREE END A-CODE, UNSHIELDED, | |
| 0 PLC ± | | PRODUCT SPEC 108-106140 | SIZE A2 | |
| 1 PLC ± | | APPLICATION SPEC | CAGE CODE | |
| 2 PLC ± | | WEIGHT | DRAWING NO | |
| 3 PLC ± | | CUSTOMER DRAWING | RESTRICTED TO | |
| 4 PLC ± | | SCALE 2:1 | SHEET 1 OF 2 | |
| ANGLES ± | | | REV B2 | |
| FINISH | | | | |

THIS DRAWING IS UNPUBLISHED. RELEASED FOR PUBLICATION 20
 © COPYRIGHT 20 BY - ALL RIGHTS RESERVED.

| REVISIONS | | | | |
|-----------|-----|-------------|------|------|
| P | LTR | DESCRIPTION | DATE | APVD |
| | | SEE SHEET 1 | | |
| | | | | |
| | | | | |

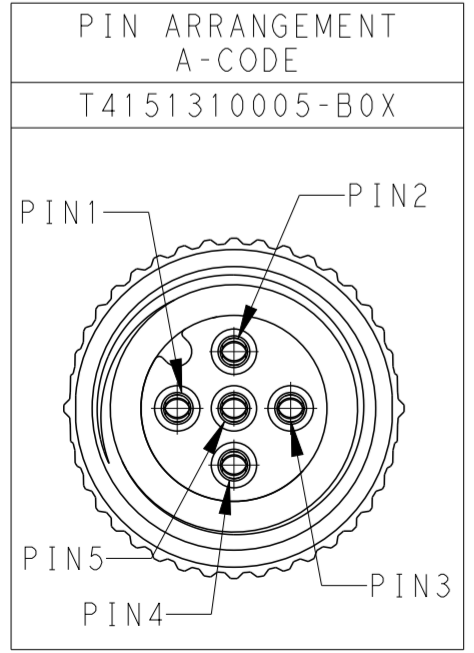
| ITEM | DESCRIPTION | MATERIAL | OTHERS |
|------|----------------|--------------|---------------|
| 1 | FEMALE CONTACT | BRONZE | GOLD PLATED |
| 2 | HOUSING | NYLON | BLACK |
| 3 | COUPLING NUT | ZAMACK | NICKEL PLATED |
| 4 | OVER-MOLDING | POLYURETHANE | BLUE |
| 5 | CABLE | - | - |
| 6 | LABEL | - | - |



| TECHNICAL DATA | |
|-----------------------|-------|
| T4151310005-B0X | |
| RATED VOLTAGE | 60V |
| RATED IMPULSE VOLTAGE | 1500V |
| RATED CURRENT | 4A |
| POLLUTION DEGREE | 3 |
| OVERVOLTAGE CATEGORY | II |
| MATERIAL GROUP | II |
| DEGREE OF PROTECTION | IP67 |

NOTE:
 △8 - **: CABLE LENGTH,
 -0.254:0.254M
 △9 -00X: FOR CABLE LENGTH, SEE TABLE 2 AND REFER TO LENGH "L"
 -B01:0.254M

注释:
 △8 - **: 线缆长度,
 -0.254:0.254M
 △9 -00X: 线缆长度见表2, 参照长度L
 -B01:0.254M.



| | | | | | |
|---|---------------------|--------------------------------|------------------------------|------------|--------------------|
| WIRES: 0.34mm ² (22AWG) WIRE COLOR: WH/BR/BK/BL/GR OD: APPROX.5.5MM FOR 5P | 254(+25/0)mm | M12带PVC线A型直型5针母插 0.254M(TE) | RPC-M12-FS-5CON-PVC-0.254 △8 | 5 | T4151310005-B01 △9 |
| CABLE CHARACTERISTIC 线缆特性 | LENGTH "L" 长度"L" | DESCRIPTION 描述 | TYPE 型号 | POS. 针数 | TABLE 2 TE PN |

THIS DRAWING IS A CONTROLLED DOCUMENT.

| | | | |
|-------------------|---|--|---|
| DIMENSIONS: mm | TOLERANCES UNLESS OTHERWISE SPECIFIED: 0 PLC ± 1 PLC ± 2 PLC ± 3 PLC ± 4 PLC ± ANGLES ± FINISH | DWN HAO WANG 11AUG2015 CHK KOBBY ZHAO 11AUG2015 APVD XIANG XU 11AUG2015 PRODUCT SPEC 108-106140 APPLICATION SPEC - WEIGHT - CUSTOMER DRAWING | NAME M12X1 STRAIGHT RECEPTACLE, FREE END A-CODE, UNSHIELDED, SIZE A2 CAGE CODE - DRAWING NO. C-T41513X00XX00X RESTRICTED TO |
| | | SCALE 2:1 | SHEET 2 OF 2 |

STE TE Connectivity