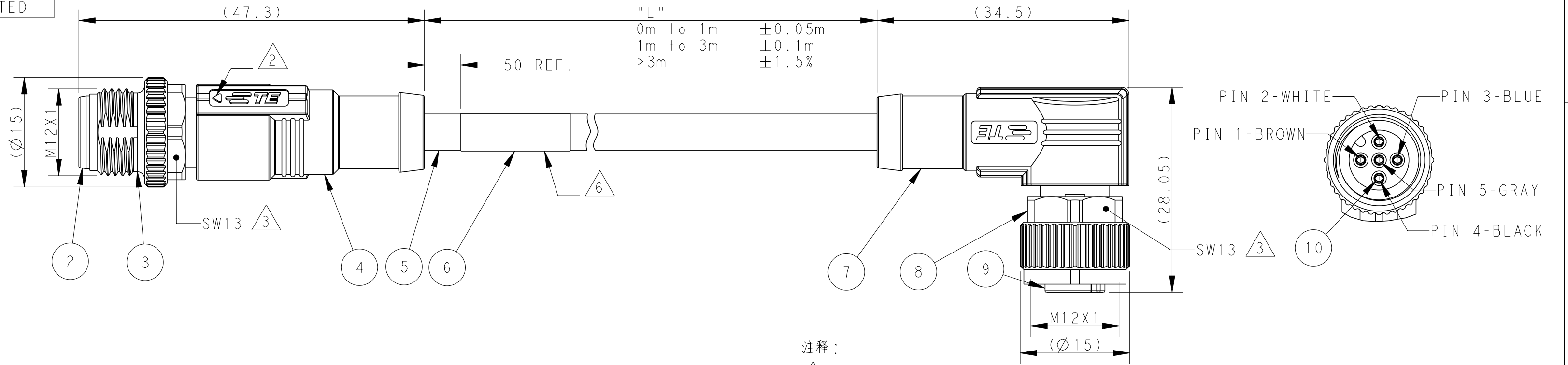
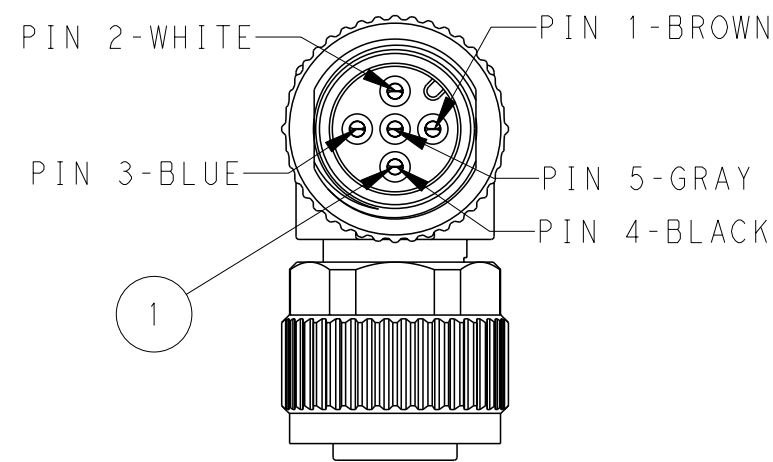
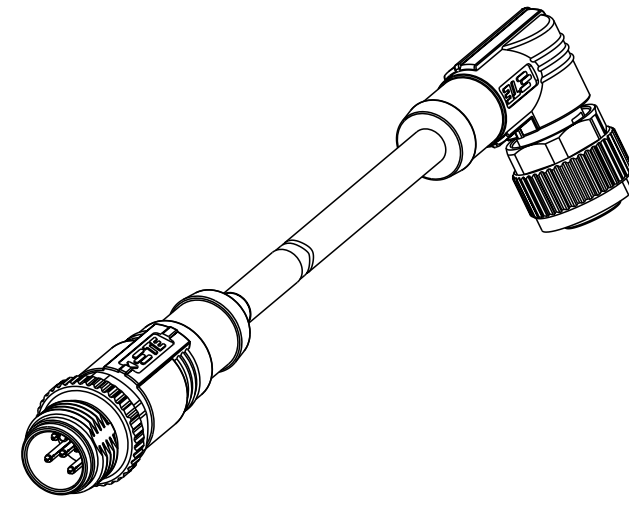


THIS DRAWING IS UNPUBLISHED. RELEASED FOR PUBLICATION 20  
 © COPYRIGHT 20 BY - ALL RIGHTS RESERVED.

ITEM	DESCRIPTION	MATERIAL	OTHERS
1	MALE CONTACT	BRONZE	GOLD PLATED
2	MALE HOUSING	NYLON	BLACK
3	MALE NUT	ZAMACK	NICKEL PLATED
4	OVER-MOLDING	POLYURETHANE	BLUE
5	CABLE	-	-
6	LABEL	-	-
7	OVER-MOLDING	POLYURETHANE	BLUE
8	FEMALE NUT	ZAMACK	NICKEL PLATED
9	FEMALE HOUSING	NYLON	BLACK
10	FEMALE CONTACT	BRONZE	GOLD PLATED

REVISIONS				
P	LTR	DESCRIPTION	DATE	APVD
A		INITIAL RELEASE	22SEP2019	HW XX
B		ECR-22-134410	10NOV2022	BP CW



注释:

- ①. 技术参数: 参考表 1
- ②. CODE位置指示
- ③. 推荐扭矩0.6 Nm
- ④. - \*\*: 线缆长度
  - 0.5: 0.5M,
  - 1.0: 1.0M,
  - 1.5: 1.5M,
  - 3.0: 3.0M,
  - 5.0: 5.0M,
  - 7.0: 7.0M,
  - 10.0: 10.0M,
- 5. 线缆组件塑料袋包装
- ⑥. 标签包含: 产品编号, 日期代码...

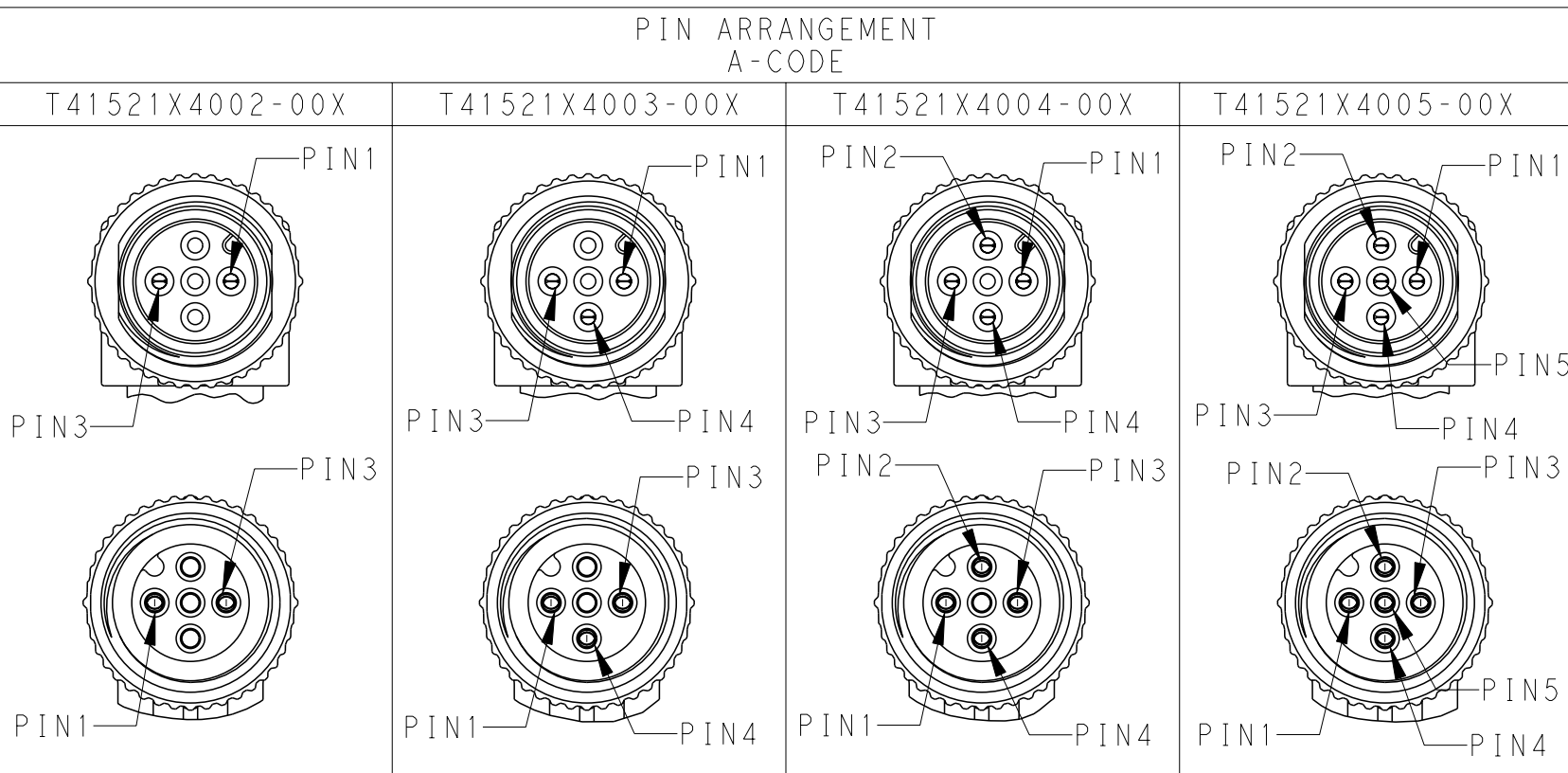
NOTE:

- ①. TECHNICAL DATA: SEE TABLE 1
- ②. CODE POSITION INDICATOR
- ③. RECOMMENDED TORQUE 0.6 Nm
- ④. - \*\*: CABLE LENGTH
  - 0.5: 0.5M,
  - 1.0: 1.0M,
  - 1.5: 1.5M,
  - 3.0: 3.0M,
  - 5.0: 5.0M,
  - 7.0: 7.0M,
  - 10.0: 10.0M,
- 5. CABLE ASSEMBLY TO BE PACKAGED IN POLYBAGS
- ⑥. LABEL CONTAINS: PN, DATE CODE...

FOR CONFIGURED PARTS ONLINE, MATERIAL PART NUMBER START WITH C INSTEAD OF T, THESE CAN ONLY ORDER THROUGH CTO TOOL

对于在线定制的料号, 相关料号用C替代T, 这些料号通过CTO工具产生

TABLE 1: TECHNICAL DATA	T41521X4002-00X	T41521X4003-00X	T41521X4004-00X	T41521X4005-00X
RATED VOLTAGE		250V		60V
RATED IMPULSE VOLTAGE		2500V		1500V
RATED CURRENT		4A		
POLLUTION DEGREE		3		
OVERVOLTAGE CATEGORY		II		
MATERIAL GROUP		II		
DEGREE OF PROTECTION		IP67		



CABLE CHARACTERISTIC	LENGTH "L"	CABLE TEMP. RANGE	JACKET COLOR	JACKET MATERIAL	TYPE	POS.	TE PN SEE LENGTH "L"
WIRES: 0.34mm <sup>2</sup> (22AWG) WIRE COLOR: WH/BR/BK/BL/GR OD: APPROX.4.5MM FOR 2P/3P APPROX.5.0MM FOR 4P/5P	-001: 0.5 M -002: 1.0 M -003: 1.5 M -004: 3.0 M -005: 5.0 M -006: 7.0 M -007: 10.0 M CUSTOMIZATION: -**0:**.0 M -**5:**.5 M	-40°C~+80°C	GRAY	PUR (UL)	RPC-M12-5MS-***④-M12-5FR-PUR	5	T4152124005-00X
					RPC-M12-4MS-***④-M12-4FR-PUR	4	T4152124004-00X
					RPC-M12-3MS-***④-M12-3FR-PUR	3	T4152124003-00X
					RPC-M12-2MS-***④-M12-2FR-PUR	2	T4152124002-00X
		-10°C~+80°C	BLACK	PVC (UL)	RPC-M12-5MS-***④-M12-5FR-PVC	5	T4152114005-00X
					RPC-M12-4MS-***④-M12-4FR-PVC	4	T4152114004-00X
					RPC-M12-3MS-***④-M12-3FR-PVC	3	T4152114003-00X
					RPC-M12-2MS-***④-M12-2FR-PVC	2	T4152114002-00X

DIMENSIONS: mm		TOLERANCES UNLESS OTHERWISE SPECIFIED:		THIS DRAWING IS A CONTROLLED DOCUMENT.		DWN HAO WANG 22SEP2016		TE Connectivity	
		0 PLC ± 1 PLC ± 2 PLC ± 3 PLC ± 4 PLC ± ANGLES ± FINISH		CHK KOBBY ZHAO 22SEP2016 APVD XIANG XU 22SEP2016		NAME M12X1 MALE STR. TO FEMALE RA A-CODE, UNSHIELDED,			
MATERIAL				PRODUCT SPEC 108-106140 APPLICATION SPEC		SIZE A2 CAGE CODE - DRAWING NO. C-T41521X40XX00X		RESTRICTED TO	
				WEIGHT - CUSTOMER DRAWING		SCALE 1:1 SHEET 1 OF 1		REV B	