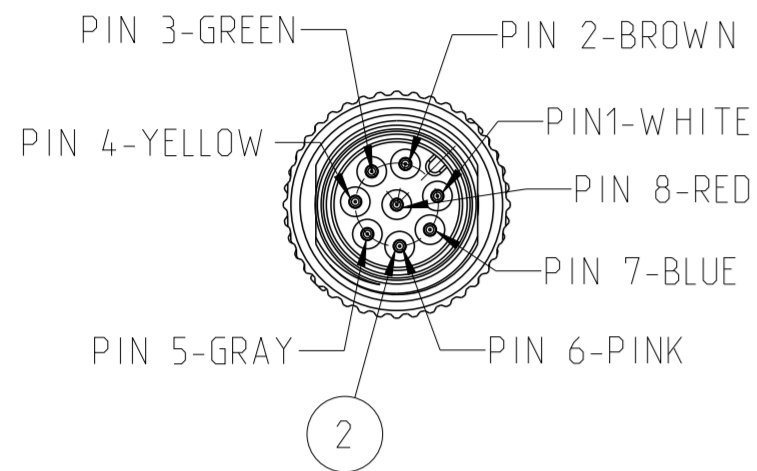
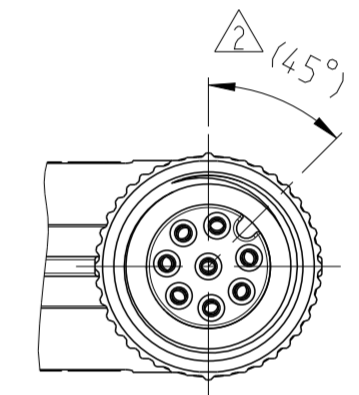
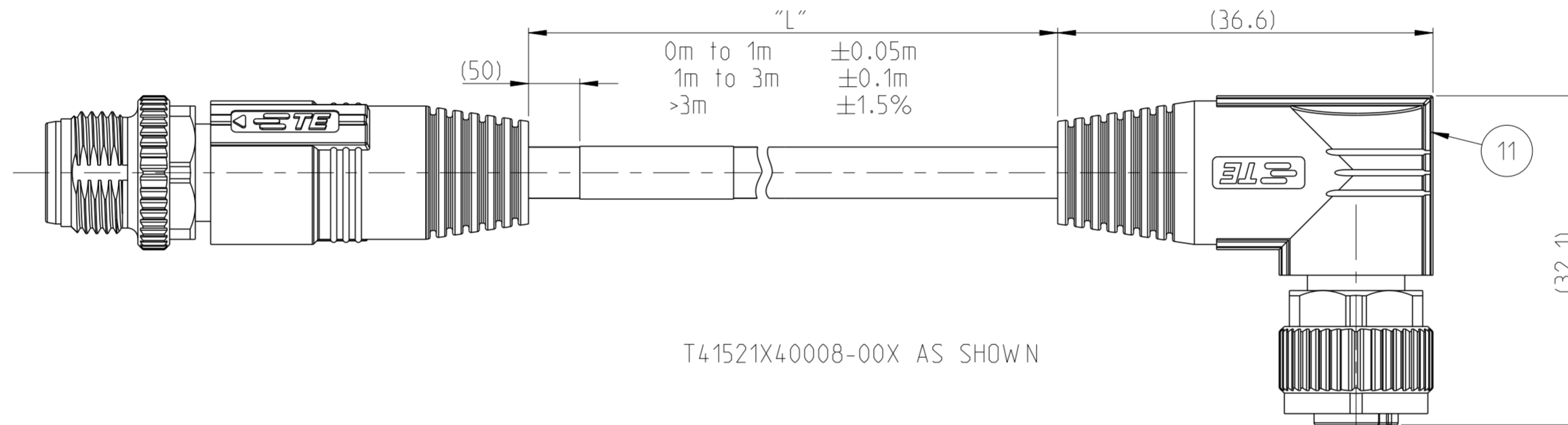
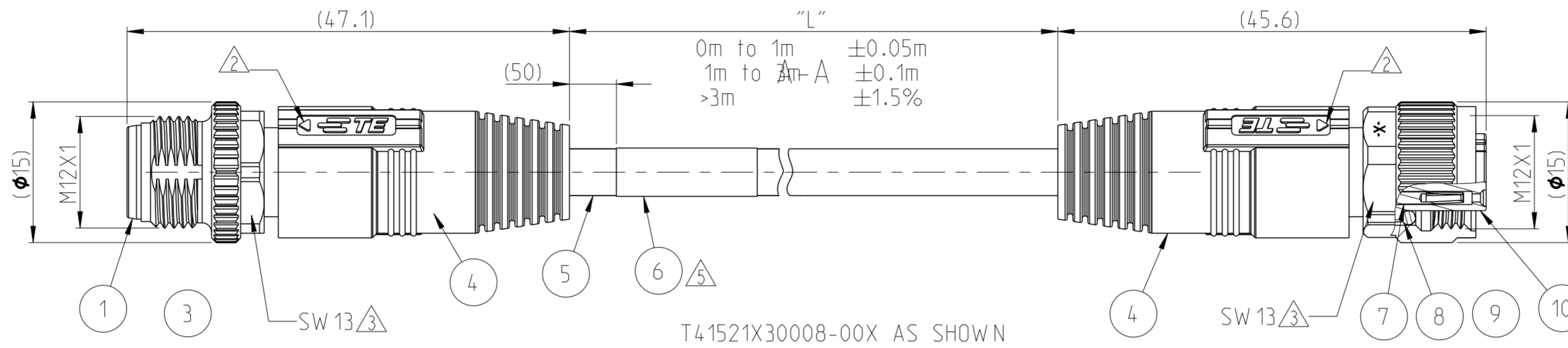
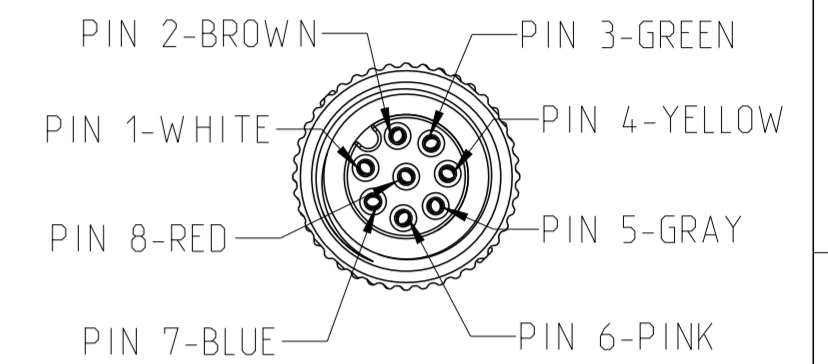


P	LTR	DESCRIPTION	DATE	DWN	APVD
A		INITIAL RELEASE	18APR2019	G.W	C.W
B		ECR-22-134410	02NOV2022	BP	CW

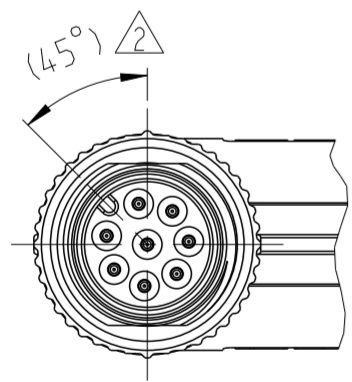
S1: MALE SIDES FACE VIEWS



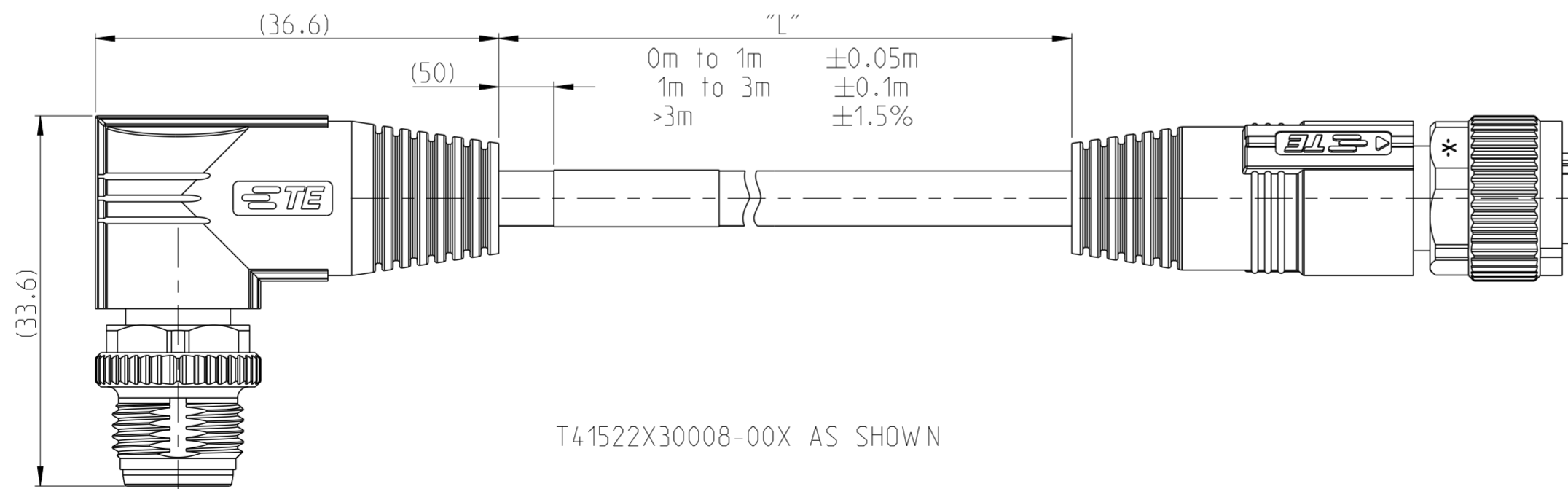
S2: FEMALE SIDES FACE VIEWS



VIEW A



VIEW B



T41522X30008-00X AS SHOWN

VIEW B

ITEM	DESCRIPTION	MATERIAL	OTHERS
11	OVER-MOLDING RA	POLYURETHANE	BLUE
10	FEMALE HOUSING	NYLON	BLACK
9	FEMALE NUT	ZAMACK	NICKEL PLATED
8	O-RING	SILICON	GRAY
7	FEMALE CONTACT	BRONZE	GOLD PLATED
6	LABEL	-	-
5	CABLE	-	-
4	OVER-MOLDING STRAIGHT	POLYURETHANE	BLUE
3	MALE NUT	ZAMACK	NICKEL PLATED
2	MALE CONTACT	BRONZE	GOLD PLATED
1	MALE HOUSING	NYLON	BLACK

THIS DRAWING IS A CONTROLLED DOCUMENT.

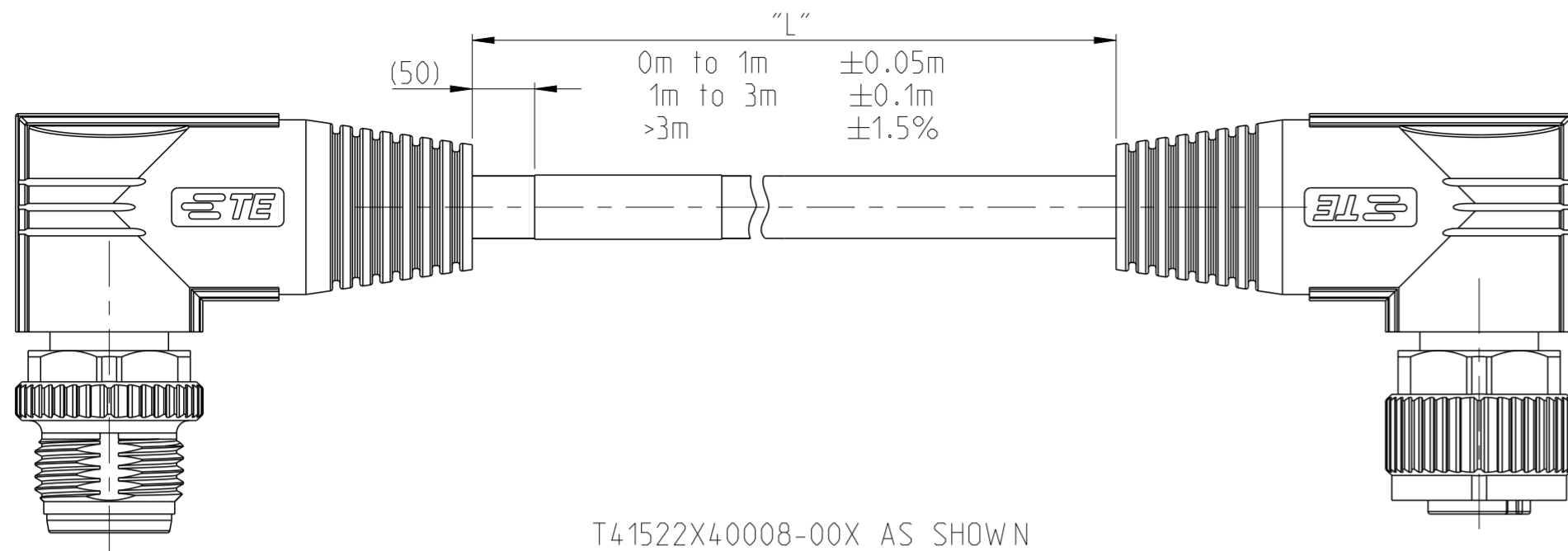
DWN	GAVIN WANG	20APR2019
CHK	KEVIN HUANG	20APR2019
APVD	CHRIS WANG	20APR2019

TE Connectivity

NAME: M12X1 MALE TO FEMALE, 8P  
A-CODE, UNSHIELDED

SIZE	A2	CAGE CODE	-	DRAWING NO	C-T4152XXX00800X	RESTRICTED TO
SCALE	2:1	SHEET	1 OF 2	REV	B	

RESTRICTED CUSTOMER



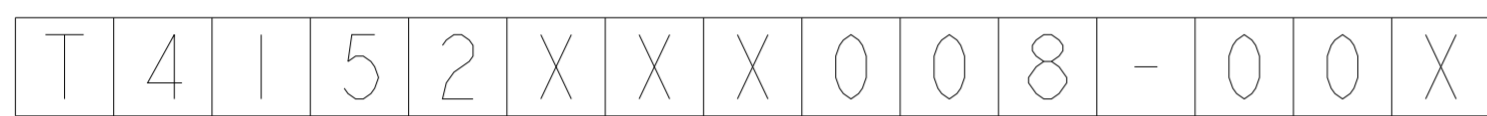
T41522X40008-00X AS SHOWN

TABLE 1

TECHNICAL DATA	
RATED VOLTAGE	30V
RATED IMPULSE VOLTAGE	800V
RATED CURRENT	2A
POLLUTION DEGREE	3
OVERVOLTAGE CATEGORY	II
MATERIAL GROUP	II
DEGREE OF PROTECTION	IP67

REVISIONS				
P	LTR	DESCRIPTION	DATE	APVD
		SEE SHEET 1		

TE PN CODING:



THREAD M12X1  
DOUBLE ENDED  
UNSHIELDED

S1 TYPE:  
1-MALE STRAIGHT  
2-MALE 90°

S2 TYPE:  
3-FEMALE STRAIGHT  
4-FEMALE 90°

CABLE TYPE  
1-0.25mm<sup>2</sup>, 24AWG, PVC BLACK  
2-0.25mm<sup>2</sup>, 24AWG, PUR GRAY

LENGTH: <sup>⑥</sup>  
STANDARD:  
-001:0.5 M  
-002:1.0 M  
-003:1.5 M  
-004:3.0 M  
-005:5.0 M  
-006:7.0 M  
-007:10.0 M  
CUSTOMIZATION:  
-XX0:XX.0 M  
-XX5:XX.5 M  
-99X: 0.X M

TE TYPE CODING:



RPC SERIES

S1 CONNECTOR TYPE:  
M12X1 A-CODE  
CONNECTOR

S1 TYPE:  
8MS-8CON, MALE STRAIGHT  
8MR-8CON, MALE 90°

CABLE LENGTH:  
0.5:0.5M,  
1.0:1.0M,  
1.5:1.5M,  
3.0:3.0M,  
5.0:5.0M,  
7.0:7.0M,  
10.0:10.0M,  
...

S2 CONNECTOR TYPE:  
M12X1 A-CODE  
CONNECTOR

S2 TYPE:  
8FS-8CON, FEMALE STRAIGHT  
8FR-8CON, FEMALE 90°

CABLE TYPE  
PVC-0.25mm<sup>2</sup>, 24AWG PVC BLACK  
PUR-0.25mm<sup>2</sup>, 24AWG PUR GRAY

NOTE:

- ①. TECHNICAL DATA: SEE TABLE 1
- ②. CODE POSITION INDICATOR
- ③. RECOMMENDED TORQUE 0.6 Nm
- 4. CABLE ASSEMBLY TO BE PACKAGED IN POLYBAGS
- ⑤. LABEL CONTAINS: PN, DATE CODE...
- ⑥. CABLE LENGTH CODE:  
STANDARD LENGTH:001...007  
CUSTOMIZATION LENGTH: >1.0M:XX0 OR XX5  
EXAMPLE:3.5M:035;15.0M:150...  
<1.0M:99X  
EXAMPLE:0.4M:994;...0.9M:999

注释:

- ①. 技术参数: 参考表 1
- ②. CODE位置指示
- ③. 推荐扭矩 0.6 Nm
- 4. 线缆组件塑料袋包装
- ⑤. 标签包含: 产品编号, 日期代码...
- ⑥. 线缆长度编码:  
标准长度: 001...007  
定制长度: >1.0M:XX0 或 XX5  
例如: 3.5M:035; 15.0M:150...  
<1.0M:99X  
例如: 0.4M:994; ...0.9M:999

FOR CONFIGURED PARTS ONLINE, MATERIAL PART NUMBER START WITH C INSTEAD OF T, THESE CAN ONLY ORDER THROUGH CTO TOOL

对于在线定制的料号, 相关料号用C替代T, 这些料号通过CTO工具产生

FIXED: -40°C~+80°C FLXIBLE: -25°C~+80°C	GRAY	PUR (UL)	RPC-M12-8MR-**-M12-8FR-PUR	8	T4152224008-00X
	BLACK	PVC (UL)	RPC-M12-8MR-**-M12-8FR-PVC	8	T4152214008-00X
	GRAY	PUR (UL)	RPC-M12-8MR-**-M12-8FS-PUR	8	T4152223008-00X
	BLACK	PVC (UL)	RPC-M12-8MR-**-M12-8FS-PVC	8	T4152213008-00X
	GRAY	PUR (UL)	RPC-M12-8MS-**-M12-8FR-PUR	8	T4152124008-00X
	BLACK	PVC (UL)	RPC-M12-8MS-**-M12-8FR-PVC	8	T4152114008-00X
	GRAY	PUR (UL)	RPC-M12-8MS-**-M12-8FS-PUR	8	T4152123008-00X
BLACK	PVC (UL)	RPC-M12-8MS-**-M12-8FS-PVC	8	T4152113008-00X	
CABLE TEMP. RANGE	JACKET COLOR	JACKET MATERIAL	TYPE	POS.	TE PART NUMBER

THIS DRAWING IS A CONTROLLED DOCUMENT.

DIMENSIONS: mm	TOLERANCES UNLESS OTHERWISE SPECIFIED:	DWN GAVIN WANG 20APR2019	TE Connectivity NAME M12X1 MALE TO FEMALE, 8P A-CODE, UNSHIELDED
0 PLC ±	1 PLC ±	CHK KEVIN HUANG 20APR2019	
2 PLC ±	3 PLC ±	APVD CHRIS WANG 20APR2019	
4 PLC ±	ANGLES ±	FINISH ±	
MATERIAL	FINISH	PRODUCT SPEC 108-106140	SIZE A2
		APPLICATION SPEC 114-137144	CAGE CODE -
		WEIGHT -	DRAWING NO. C-T4152XXX00800X
		RESTRICTED CUSTOMER	RESTRICTED TO B

SCALE 3:2 SHEET 2 OF 2 REV B