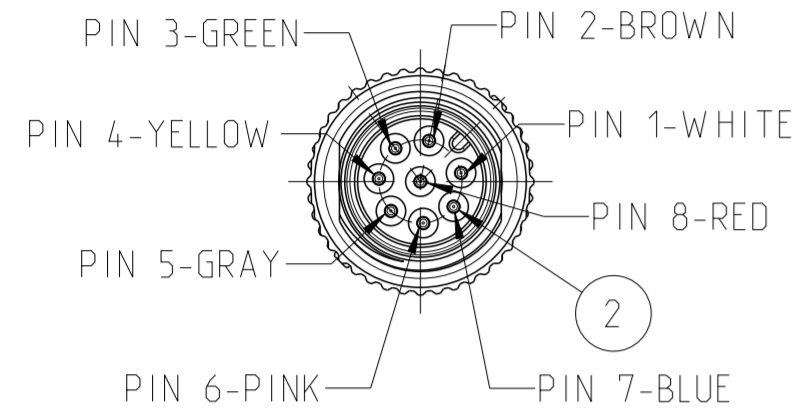
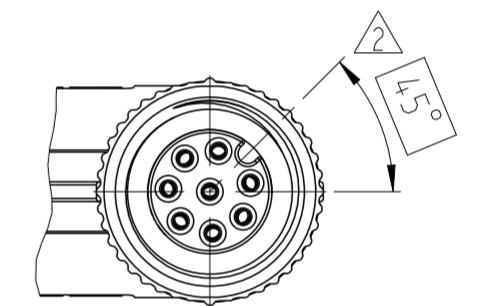
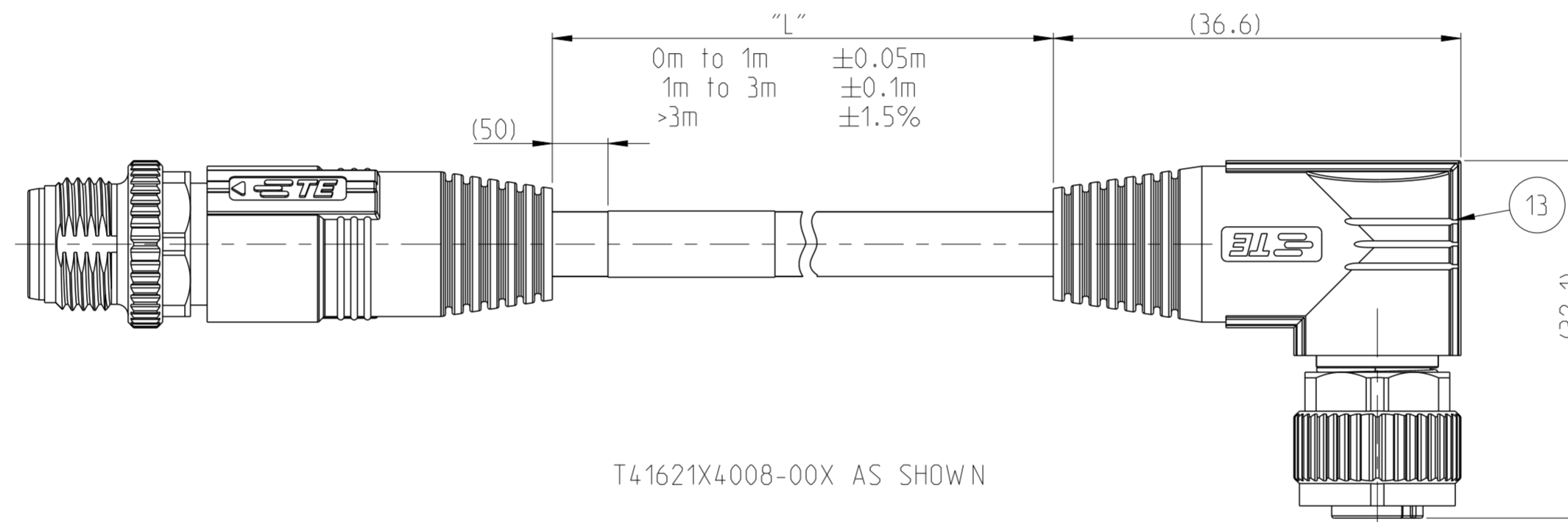
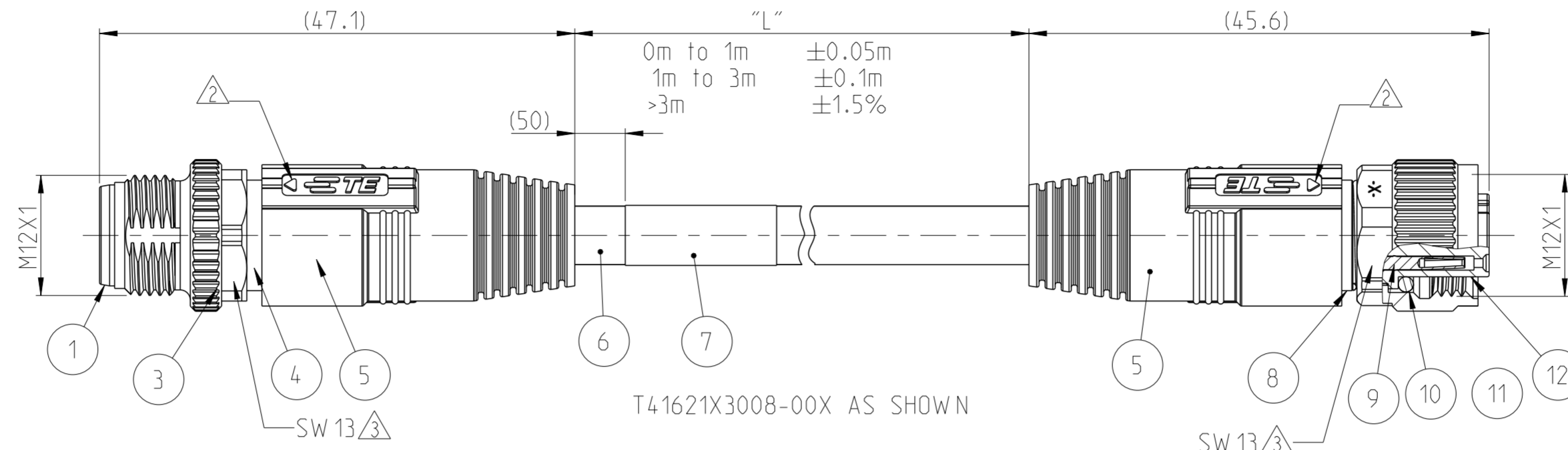
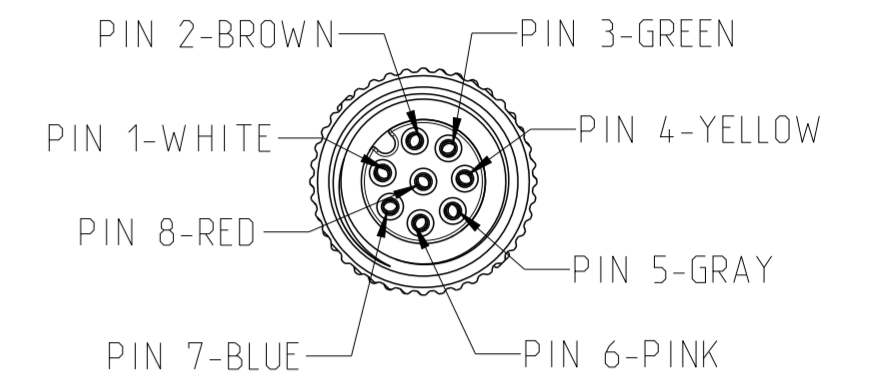


P	LTR	DESCRIPTION	DATE	DWN	APVD
A		INITIAL RELEASE	19APR2019	G.W	C.W
B		ECR-22-134837	12FEB2023	BP	CW

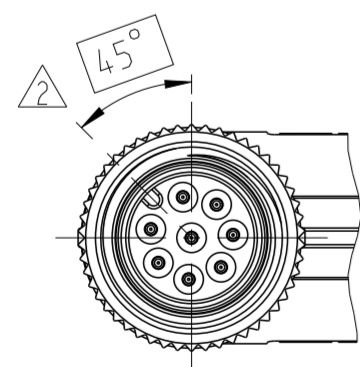
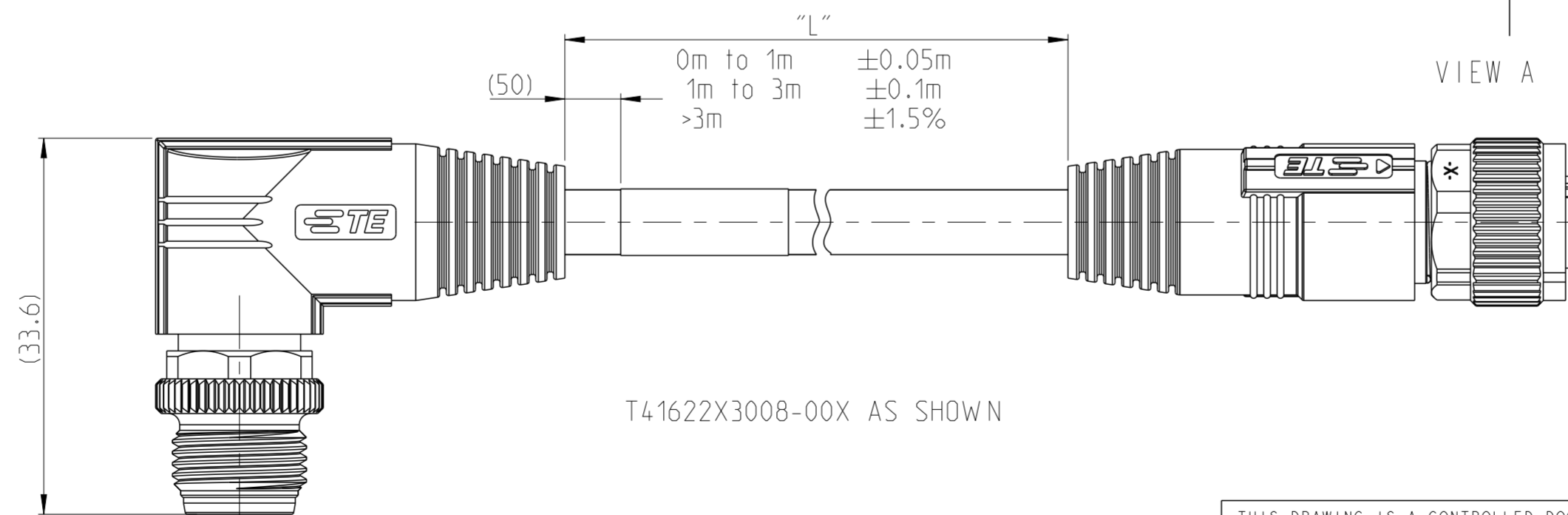
S1: MALE SIDES FACE VIEWS



S2: FEMALE SIDES FACE VIEWS



VIEW A



VIEW B

VIEW B

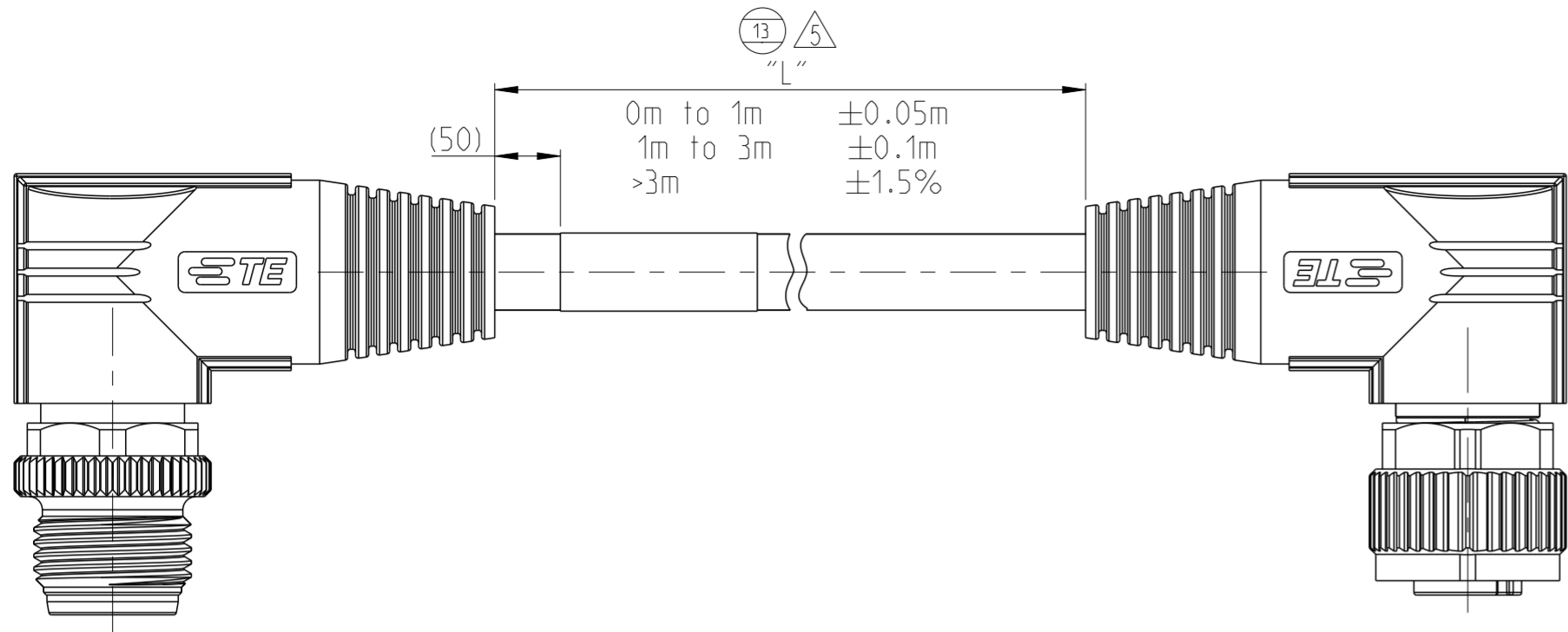
ITEM	DESCRIPTION	MATERIAL	OTHERS
13	RA OVER-MOLDING	POLYURETHANE	BLUE
12	FEMALE HOUSING	NYLON	BLACK
11	FEMALE NUT	ZAMACK	NICKEL PLATED
10	O-RING	SILICON	GRAY
9	FEMALE CONTACT	COPPER ALLOY	GOLD PLATED
8	FEMALE SHELL	COPPER ALLOY	-
7	LABEL	-	-
6	CABLE	-	-
5	STRAIGHT OVER-MOLDING	POLYURETHANE	BLUE
4	MALE SHELL	COPPER ALLOY	-
3	MALE NUT	ZAMACK	NICKEL PLATED
2	MALE CONTACT	COPPER ALLOY	GOLD PLATED
1	MALE HOUSING	NYLON	BLACK

THIS DRAWING IS A CONTROLLED DOCUMENT.

DIMENSIONS:	TOLERANCES UNLESS OTHERWISE SPECIFIED:
mm	
0 PLC	±
1 PLC	±
2 PLC	±
3 PLC	±
4 PLC	±
ANGLES	±
FINISH	

DWN	18APR2019
CHK	18APR2019
APVD	18APR2019
PRODUCT SPEC	108-106140
APPLICATION SPEC	114-137144
WEIGHT	-
RESTRICTED CUSTOMER	

		TE Connectivity	
NAME: M12X1 MALE TO FEMALE, 8P A-CODE, SHIELDED			
SIZE	CAGE CODE	DRAWING NO	RESTRICTED TO
A2	-	©-T4162XXX00800X	
SCALE: 2:1		SHEET: 1 OF 2	REV: B



T41622X4008-00X AS SHOWN

TE PN CODING:

T 4 1 6 2 X X X 0 0 8 - 0 0 X

THREAD M12X1  
DOUBLE ENDED  
SHIELDED

S1 TYPE:  
1-MALE STRAIGHT  
2-MALE 90°

S2 TYPE:  
3-FEMALE STRAIGHT  
4-FEMALE 90°

CABLE TYPE  
1-0.25mm<sup>2</sup>, 24AWG, PVC BLACK  
2-0.25mm<sup>2</sup>, 24AWG, PUR GRAY

LENGTH:  
STANDARD:  
-001:0.5 M  
-002:1.0 M  
-003:1.5 M  
-004:3.0 M  
-005:5.0 M  
-006:7.0 M  
-007:10.0 M  
CUSTOMIZATION:  
-XX0:XX.0 M  
-XX5:XX.5 M  
-99X: 0.X M

NOTE:

- 1. TECHNICAL DATA: SEE TABLE 1
- 2. CODE POSITION INDICATOR
- 3. RECOMMENDED TORQUE 0.6 Nm
- 4. CABLE ASSEMBLY TO BE PACKAGED IN POLYBAGS
- 5. LABEL CONTAINS: PN, DATE CODE...
- 6. CABLE LENGTH CODE:  
STANDARD LENGTH:001...007  
CUSTOMIZATION LENGTH: >1.0M;XX0 OR XX5  
EXAMPLE:3.5M:035;15.0M:150...  
<1.0M;99X  
EXAMPLE:0.4M:994;...0.9M:999

注释:

- 1. 技术参数: 参考表 1
- 2. CODE位置指示
- 3. 推荐扭矩0.6 Nm
- 4. 线缆组件塑料袋包装
- 5. 标签包含: 产品编号, 日期代码...
- 6. 线缆长度编码:  
标准长度: 001...007  
定制长度: >1.0M; XX0 或 XX5  
例如: 3.5M: 035; 15.0M: 150...  
<1.0M; 99X  
例如: 0.4M: 994; ...0.9M: 999

REVISIONS

P	LTR	DESCRIPTION	DATE	DWN	APVD
		SEE SHEET 1			

TABLE 1

TECHNICAL DATA	T4162XX008-00X
RATED VOLTAGE	30V
RATED IMPULSE VOLTAGE	800V
RATED CURRENT	2A
POLLUTION DEGREE	3
OVERVOLTAGE CATEGORY	II
MATERIAL GROUP	II
DEGREE OF PROTECTION	IP67

TE TYPE CODING:

RPC-M12-XXX-\*\*SH-M12-XXX-PXX

RPC SERIES

S1 CONNECTOR TYPE:  
M12X1 A-CODE  
CONNECTOR

S1 TYPE:  
8MS-8CON, MALE STRAIGHT  
8MR-8CON, MALE 90°

CABLE LENGTH:

0.5:0.5M,  
1.0:1.0M,  
1.5:1.5M,  
3.0:3.0M,  
5.0:5.0M,  
7.0:7.0M,  
10.0:10.0M,  
...

S2 CONNECTOR TYPE:  
M12X1 A-CODE  
CONNECTOR

S2 TYPE:

8FS-8CON, FEMALE STRAIGHT  
8FR-8CON, FEMALE 90°

CABLE TYPE  
PVC-0.25mm<sup>2</sup>, 24AWG PVC BLACK  
PUR-0.25mm<sup>2</sup>, 24AWG PUR GRAY

CABLE TEMP. RANGE	JACKET COLOR	JACKET MATERIAL	TYPE	POS.	TE PART NUMBER
FIXED: -40°C~+80°C FLXIBLE: -25°C~+80°C	GRAY	PUR (UL)	RPC-M12-8MR-**SH-M12-8FR-PUR	8	T4162224008-00X
	BLACK	PVC (UL)	RPC-M12-8MR-**SH-M12-8FR-PVC	8	T4162214008-00X
	GRAY	PUR (UL)	RPC-M12-8MR-**SH-M12-8FS-PUR	8	T4162223008-00X
	BLACK	PVC (UL)	RPC-M12-8MR-**SH-M12-8FS-PVC	8	T4162213008-00X
	GRAY	PUR (UL)	RPC-M12-8MS-**SH-M12-8FR-PUR	8	T4162124008-00X
	BLACK	PVC (UL)	RPC-M12-8MS-**SH-M12-8FR-PVC	8	T4162114008-00X
	GRAY	PUR (UL)	RPC-M12-8MS-**SH-M12-8FS-PUR	8	T4162123008-00X
	BLACK	PVC (UL)	RPC-M12-8MS-**SH-M12-8FS-PVC	8	T4162113008-00X

THIS DRAWING IS A CONTROLLED DOCUMENT.

DIMENSIONS: mm	TOLERANCES UNLESS OTHERWISE SPECIFIED:	DWN GAVIN WANG 18APR2019	TE Connectivity
		CHK KEVIN HUANG 18APR2019	
		APVD CHRIS WANG 18APR2019	
		PRODUCT SPEC 108-106140	
		APPLICATION SPEC 114-137144	NAME M12X1 MALE TO FEMALE, 8P A-CODE, SHIELDED
MATERIAL	FINISH	WEIGHT	SIZE A2
			CAGE CODE
			DRAWING NO. T4162XXX00800X
			RESTRICTED TO
			RESTRICTED CUSTOMER
			SCALE 2:1
			SHEET 2 OF 2
			REV B