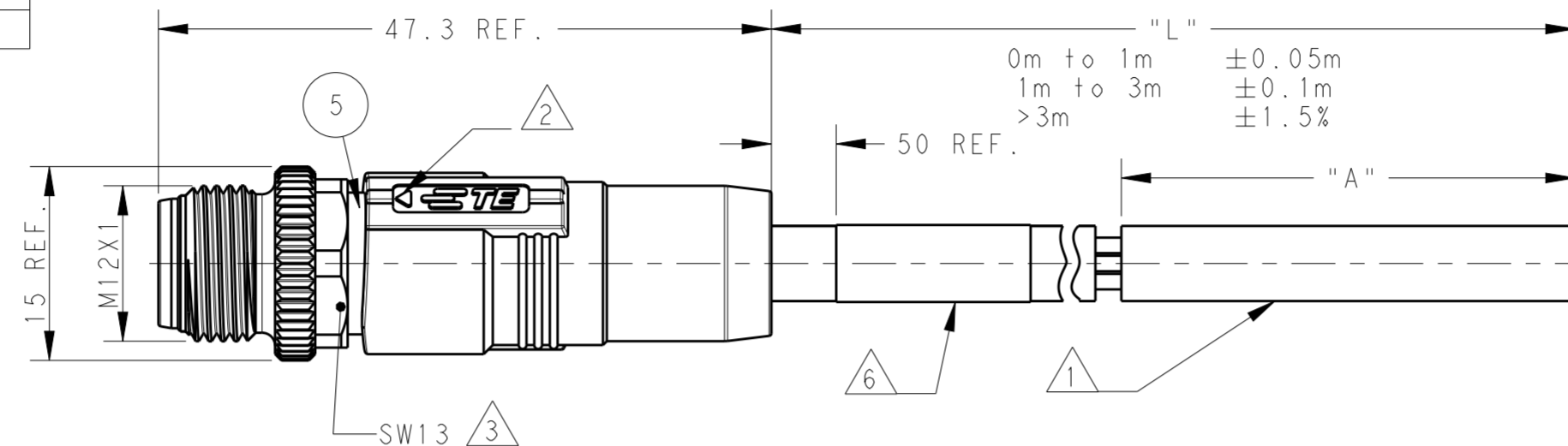
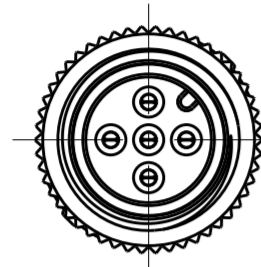


THIS DRAWING IS UNPUBLISHED. RELEASED FOR PUBLICATION 20
 © COPYRIGHT 20 BY - ALL RIGHTS RESERVED.

ITEM	DESCRIPTION	MATERIAL	OTHERS
1	MALE CONTACT	COPPER ALLOY	GOLD PLATED
2	HOUSING	NYLON	BLACK
3	COUPLING NUT	COPPER ALLOY	NICKEL PLATED
4	OVER-MOLDING	PVC/TPU	BLACK
5	SHIELDED SHELL	COPPER ALLOY	NICKEL PLATED
6	CABLE	PVC/PUR JACKET	GRAY/VIOLET
7	LABEL	-	-

REVISIONS				
P	LTR	DESCRIPTION	DATE	APVD
	A	INITIAL RELEASE	29JUL2019	A.Z C.W
	A1	ADD NEW PN TAA751A1611-AXX	19MAR2020	A.Z C.W
	A2	CLARIFY TYPICAL PNS	22JUN2020	A.Z C.W



NOTE:
 1. STRIP AND RETAIN THE INSULATION
 2. CODE POSITION INDICATOR
 3. RECOMMENDED TORQUE 0.6 Nm
 4. -** : CABLE LENGTH, FOR EXAMPLE: -0.5M
 5. CABLE ASSEMBLY TO BE PACKAGED IN POLYBAGS
 6. LABEL CONTAINS: PN, DATE CODE...

注释:
 1. 剥线并保留护套绝缘层
 2. CODE位置指示
 3. 推荐扭矩0.6 Nm
 4. -** : 线缆长度, 例如: -0.5M
 5. 线缆组件塑料袋包装
 6. 标签包含: 产品编号, 日期代码...

TE PN CODING:

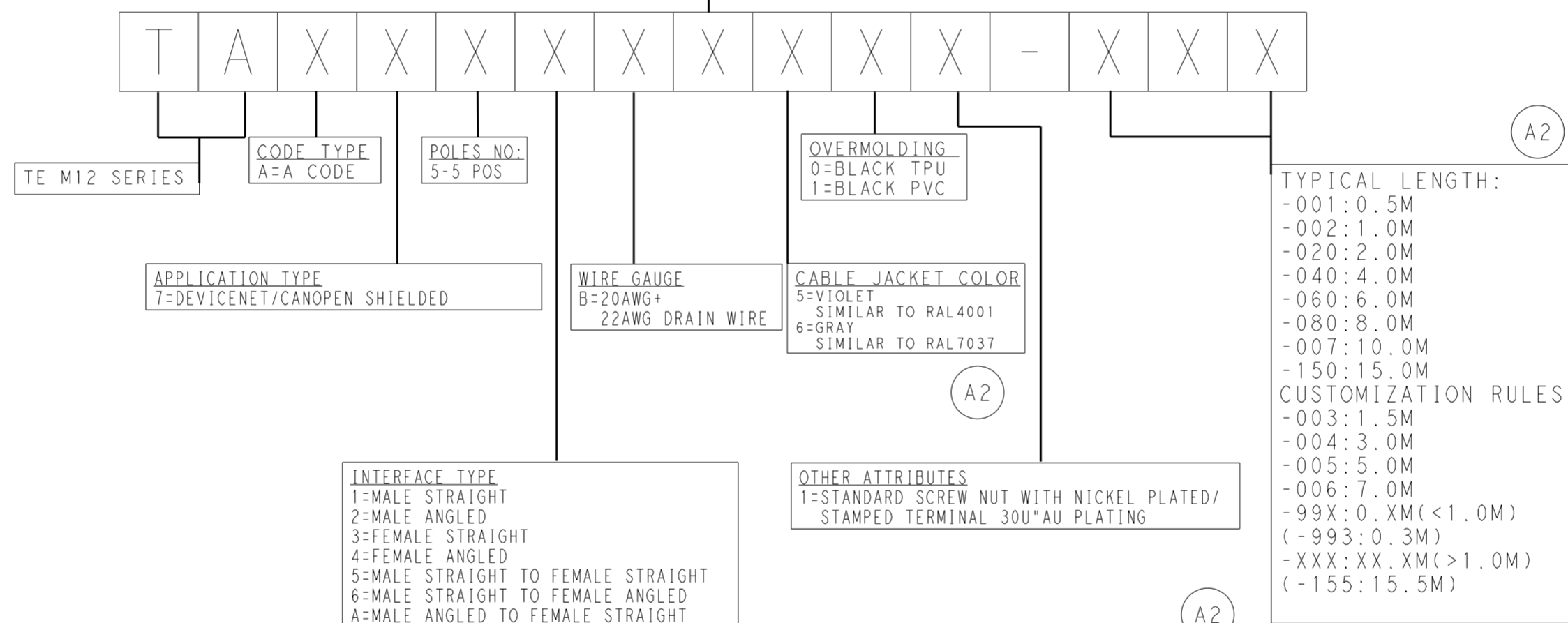


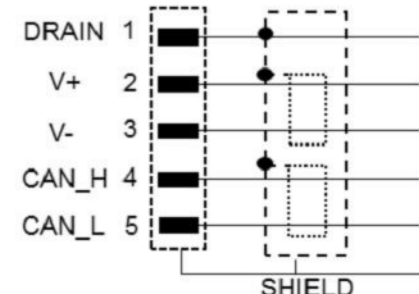
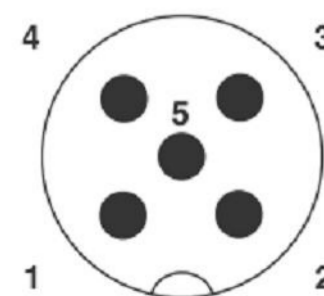
TABLE 1
 TECHNICAL DATA

	TAA751A1611-XXX	TAA751A5501-XXX
RATED VOLTAGE	60V	
RATED IMPULSE VOLTAGE	1500V	
RATED CURRENT	4A	
POLLUTION DEGREE	3	
OVERVOLTAGE CATEGORY	II	
MATERIAL GROUP	II	
DEGREE OF PROTECTION	IP67	

PIN ARRANGEMENT
 A-CODE

PIN 4	CAN_H	WHITE
PIN 5	CAN_L	BLUE
PIN 1	DRAIN	BARE
PIN 3	V-	BLACK
PIN 2	V+	RED

CIRCUIT DIAGRAM
 MALE



WIRES	TYPICAL LENGTH:		
Wires: 2X22AWG+2X24AWG +1X22 AWG DRAIN WIRE WIRE COLOR: WHITE/BLUE/RED/BLACK OD: APPROX. 6.9MM PUR JACKET: VIOLET OPERATION TEMPERATURE RATING: 80°C UL OPERATION TEMP RATING: -40°C To +80°C DRAG CHAIN TEST: MIN. 0.5 MILLION CYCLES, DIAMETER 75MM, SPEED 2m/s, ACCELERATION 2m/s²	-001: 0.5M -002: 1.0M -020: 2.0M -040: 4.0M -060: 6.0M -080: 8.0M -007: 10.0M -150: 15.0M CUSTOMIZATION RULES: -003: 1.5M -004: 3.0M -005: 5.0M -006: 7.0M -99X: 0.XM(<1.0M) (-993: 0.3M) -XXX: XX.XM(>1.0M) (-155: 15.5M)	35±5	M12A5-MS-PUR-*** TAA751A5501-XXX
Wires: 2X22AWG+2X24AWG +1X22 AWG DRAIN WIRE WIRE COLOR: WHITE/BLUE/RED/BLACK OD: APPROX. 7.1MM PVC JACKET: GRAY TEMPERATURE RATING: 75°C UL OPERATION TEMP RATING: -10°C To +80°C	-001: 0.5M -002: 1.0M -020: 2.0M -040: 4.0M -060: 6.0M -080: 8.0M -007: 10.0M -150: 15.0M CUSTOMIZATION RULES: -003: 1.5M -004: 3.0M -005: 5.0M -006: 7.0M -99X: 0.XM(<1.0M) (-993: 0.3M) -XXX: XX.XM(>1.0M) (-155: 15.5M)	100±8	M12A5-MS-PVC-*** TAA751A1611-XXX
	PER CUSTOMER REQUEST: -A01: 1.5M		M12A5-MS-PVC-A*** TAA751A1611-AXX
CABLE CHARACTERISTIC	LENGTH "L"	DIMENSION "A"	TYPE



DIMENSIONS:		TOLERANCES UNLESS OTHERWISE SPECIFIED:		APVD		NAME	
mm		0 PLC ±	1 PLC ±	11APR2019	ALEX ZHANG	M12 A CODE CABLE ASSY, SHIELDED	
		2 PLC ±	3 PLC ±	11APR2019	HART HE	5P, MS FREE END	
		4 PLC ±	ANGLES ±	11APR2019	CHRIS WANG	RESTRICTED TO	
MATERIAL		FINISH		PRODUCT SPEC	108-106140		
				APPLICATION SPEC	114-137144		
				WEIGHT	A2 -		
RESTRICTED CUSTOMER				SCALE	2:1		SHEET 1 OF 1