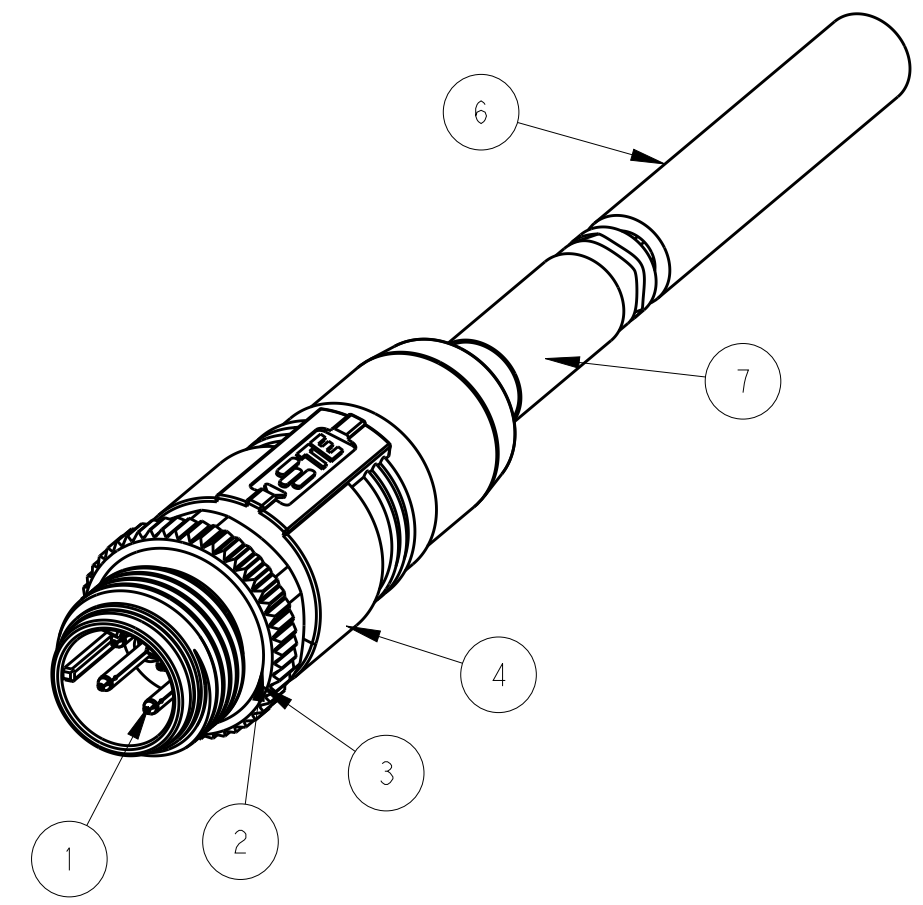
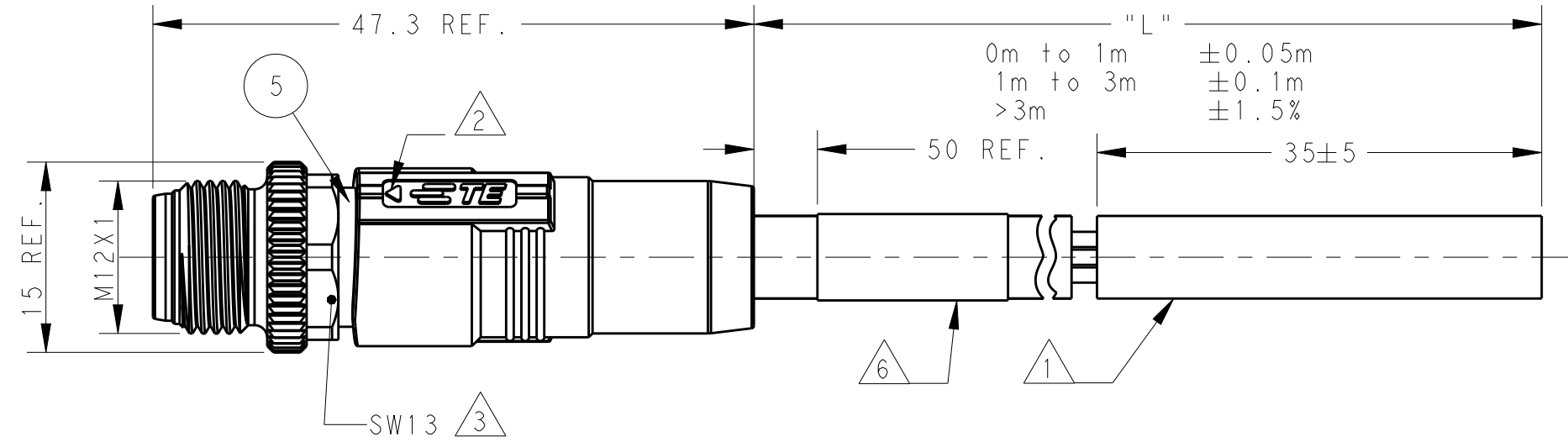
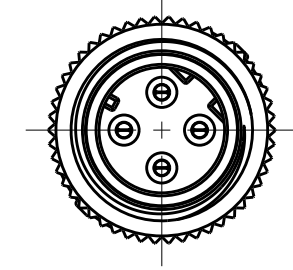


THIS DRAWING IS UNPUBLISHED. RELEASED FOR PUBLICATION 20
 © COPYRIGHT 20 BY - ALL RIGHTS RESERVED.

ITEM	DESCRIPTION	MATERIAL	OTHERS
1	MALE CONTACT	COPPER ALLOY	GOLD PLATED
2	HOUSING	NYLON	BLACK
3	COUPLING NUT	COPPER ALLOY	NICKEL PLATED
4	OVER-MOLDING	TPU/PVC	BLACK
5	SHIELDED SHELL	COPPER ALLOY	NICKEL PLATED
6	CABLE	-	-
7	LABEL	-	-

REVISIONS					
P	LTR	DESCRIPTION	DATE	DWN	APVD
	A	INITIAL RELEASE	18JUL2019	A.Z	C.W
	A1	CORRECT DRAFT ERROR	16OCT2019	A.Z	C.W
	A2	CLARIFY TYPICAL PNS	22JUN2020	A.Z	C.W

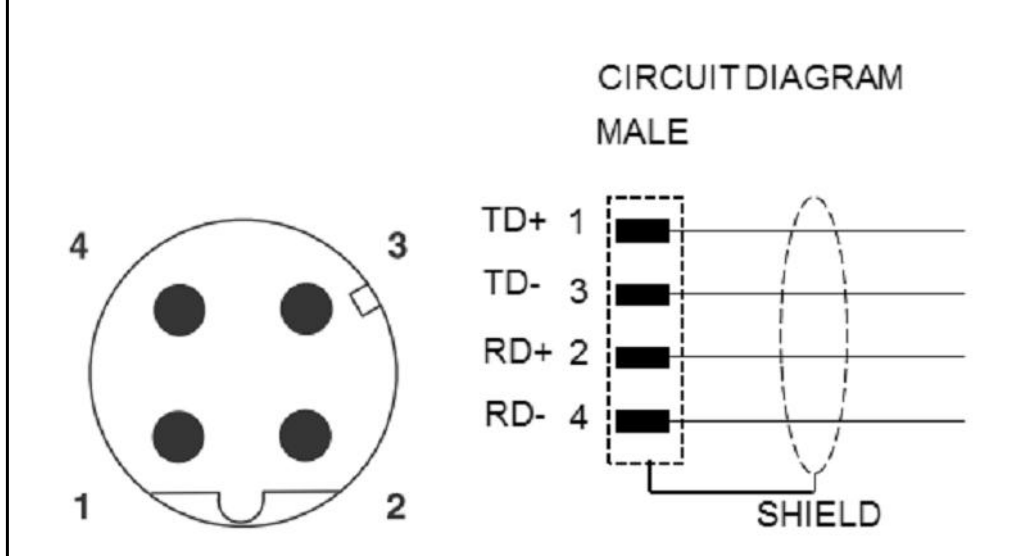


NOTE:
 ①. STRIP AND RETAIN THE INSULATION
 ②. CODE POSITION INDICATOR
 ③. RECOMMENDED TORQUE 0.6 Nm
 ④. -** : CABLE LENGTH, FOR EXAMPLE: -0.5M
 5. CABLE ASSEMBLY TO BE PACKAGED IN POLYBAGS
 ⑥. LABEL CONTAINS: PN, DATE CODE...

注释:
 ①. 剥线并保留护套绝缘层
 ②. CODE位置指示
 ③. 推荐扭矩0.6 Nm
 ④. -** : 线缆长度, 例如: -0.5M
 5. 线缆组件塑料袋包装
 ⑥. 标签包含: 产品编号, 日期代码...

PIN ARRANGEMENT D-CODE

PIN 1	TD+	YELLOW
PIN 3	TD-	ORANGE
PIN 2	RD+	WHITE
PIN 4	RD-	BLUE



WIRES	WIRE COLOR	OD	TEMPERATURE RATING	OPERATING TEMP RATING	DRAG CHAIN TEST	TYPICAL LENGTH:	JACKET COLOR	JACKET MATERIAL	TYPE	POS.	TE PN
WIRES: 1X4X22AWG	WHITE/YELLOW/BLUE/ORANGE	APPROX. 6.5MM	80°C UL	-40°C To +80°C	MIN. 1 MILLION CYCLES, DIAMETER 75MM, SPEED 2m/s, ACCELERATION 2m/s ²	-001: 0.5M -002: 1.0M -020: 2.0M -005: 5.0M -007: 10.0M -150: 15.0M -200: 20.0M -250: 25.0M -300: 30.0M	RED	PVC	M12D4-MS-PVC TYPE B RED-**④	4	TAD14141311-XXX
WIRES: 1X4X22AWG	WHITE/YELLOW/BLUE/ORANGE	APPROX. 6.65MM	80°C UL	-30°C To +70°C	MIN. 1 MILLION CYCLES, DIAMETER 75MM, SPEED 2m/s, ACCELERATION 2m/s ²	CUSTOMIZATION RULES: -003: 1.5M -004: 3.0M -005: 5.0M -006: 7.0M -99X: 0.XM (<1.0M) (-993: 0.3M) -XXX: XX.XM (>1.0M) (-155: 15.5M)	GREEN	PUR	M12D4-MS-PUR TYPE C GREEN-**④	4	TAD14145101-XXX
WIRES: 1X4X22AWG	WHITE/YELLOW/BLUE/ORANGE	APPROX. 6.5MM	80°C UL	-25°C To +80°C	MIN. 1 MILLION CYCLES, DIAMETER 75MM, SPEED 2m/s, ACCELERATION 2m/s ²		GREEN	FRNC	M12D4-MS-FRNC TYPE B GREEN-**④	4	TAD14147101-XXX
WIRES: 1X4X22AWG	WHITE/YELLOW/BLUE/ORANGE	APPROX. 6.5MM	80°C UL	-40°C To +80°C	MIN. 1 MILLION CYCLES, DIAMETER 75MM, SPEED 2m/s, ACCELERATION 2m/s ²		GREEN	PVC	M12D4-MS-PVC TYPE B GREEN-**④	4	TAD14141111-XXX
CABLE CHARACTERISTIC		LENGTH "L"		JACKET COLOR	JACKET MATERIAL	TYPE		POS.	TE PN		

THIS DRAWING IS A CONTROLLED DOCUMENT.

DIMENSIONS: mm	TOLERANCES UNLESS OTHERWISE SPECIFIED:	DWN: ALEX ZHANG 11APR2019	CHK: HART HE 11APR2019	APVD: CHRIS WANG 11APR2019	NAME: M12 D CODE CABLE ASSY, SHIELDED 4P, MS FREE END
0 PLC ±	1 PLC ±	2 PLC ±	3 PLC ±	4 PLC ±	SIZE: A2
MATERIAL: -	FINISH: -	PRODUCT SPEC: 108-106140	APPLICATION SPEC: 114-137144	WEIGHT: -	RESTRICTED TO: A2
RESTRICTED CUSTOMER			SCALE: 2:1	SHEET: 1 OF 2	REV: A2

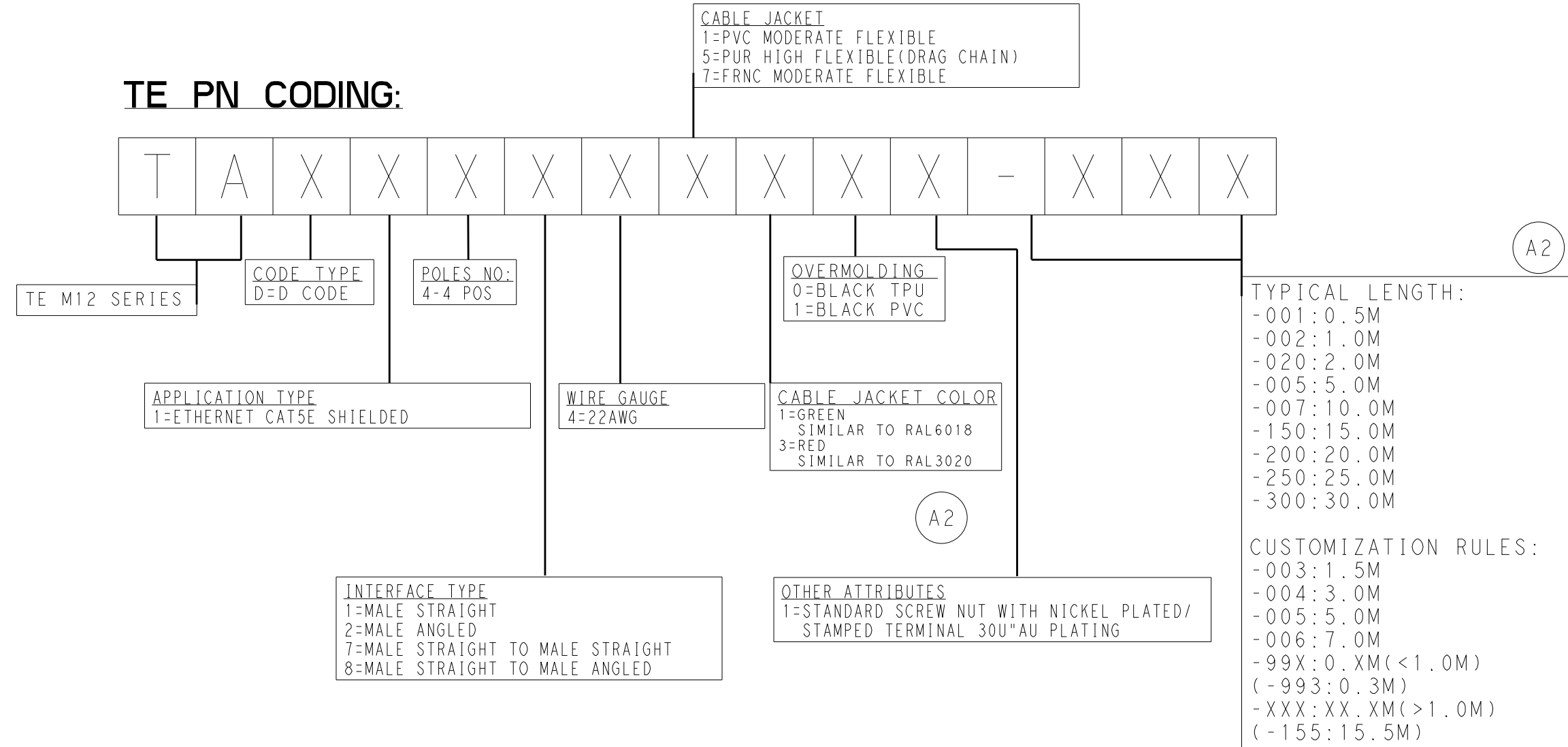
STE TE Connectivity

THIS DRAWING IS UNPUBLISHED. RELEASED FOR PUBLICATION 20
 © COPYRIGHT 20 BY - ALL RIGHTS RESERVED.

REVISIONS				
P	LTR	DESCRIPTION	DATE	APVD
-		SEE SHEET 1	-	-

TECHNICAL DATA	
RATED VOLTAGE	250V 30V(UL)
RATED CURRENT	4A 1.5A(UL)
POLLUTION DEGREE	3
OVERVOLTAGE CATEGORY	II
MATERIAL GROUP	II
DEGREE OF PROTECTION	IP67

TE PN CODING:



THIS DRAWING IS A CONTROLLED DOCUMENT.		DWN ALEX ZHANG 11APR2019	TE Connectivity	
DIMENSIONS: mm		CHK HART HE 11APR2019		
TOLERANCES UNLESS OTHERWISE SPECIFIED:		APVD CHRIS WANG 11APR2019	NAME M12 D CODE CABLE ASSY, SHIELDED 4P, MS FREE END	
		PRODUCT SPEC 108-106140	SIZE A2	
MATERIAL		APPLICATION SPEC 114-137144	CAGE CODE	DRAWING NO
		WEIGHT	RESTRICTED TO	
		RESTRICTED CUSTOMER		SCALE 2:1 SHEET 2 OF 2 REV A2