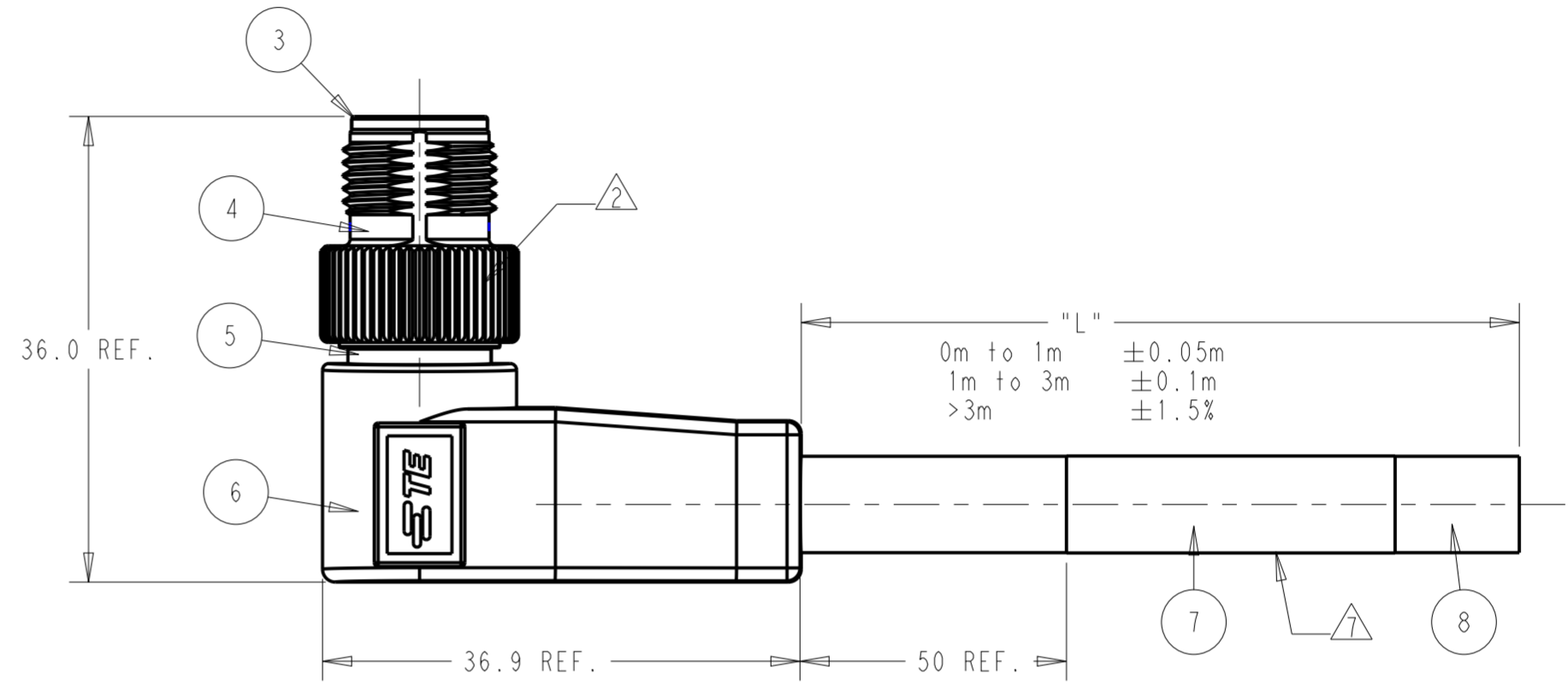
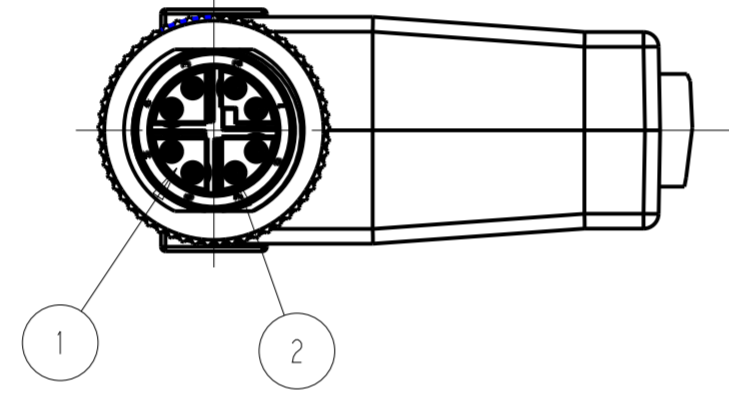


© 2020 TE Connectivity. All Rights Reserved.

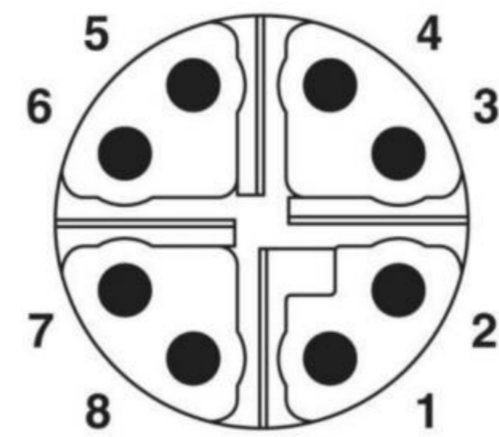
8	CABLE CAT6A TPE	TPE JACKET	TEAL
	CABLE CAT6A PUR	PUR JACKET	GREEN
	CABLE CAT6A PVC	PVC JACKET	GREEN
7	LABEL	-	-
6	OVERMOLD FOR TPE CABLE ASSEMBLY	TPU	BLACK
	OVERMOLD FOR PUR CABLE ASSEMBLY	TPU	BLACK
	OVERMOLD FOR PVC CABLE ASSEMBLY	PVC	BLACK
5	SHEATH BODY	ZINC ALLOY	TIN
4	COUPLING RING	ZINC ALLOY	NICKEL
3	CROSS SHIELDING	ZINC ALLOY	NICKEL
2	CONTACT	COPPER ALLOY	FLASH GOLD
1	INSERT HOUSING	NYLON	BLACK
ITEM	DESCRIPTION	MATERIAL	COMMENT

REVISIONS				
P	LTR	DESCRIPTION	DATE	APVD
	A	INITIAL RELEASE	02DEC2020	G.W C.W

PI  
M12 X-CODE MALE CONNECTOR



M12 X-CODE MALE PIN ASSIGNMENT



CIRCUIT DIAGRAM

M12 MALE

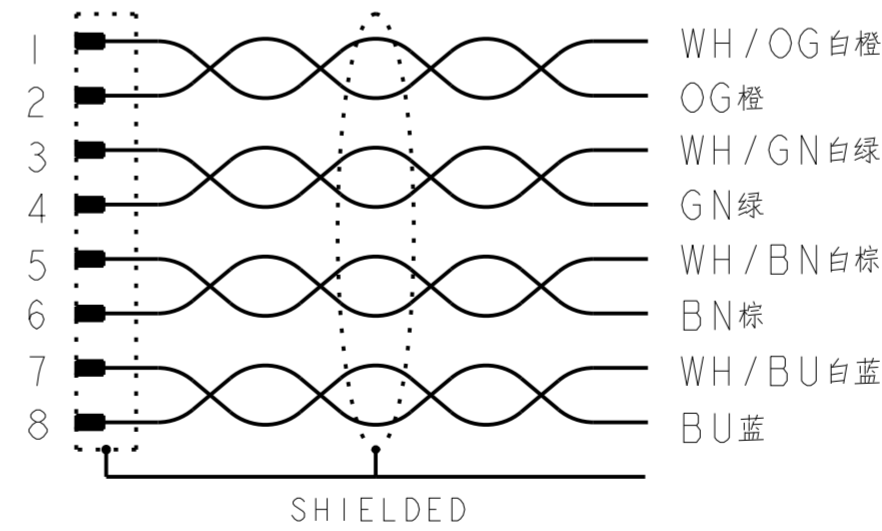


TABLE I

TRANSMISSION	CAT6A
RATED VOLTAGE	30V MAX
RATED CURRENT	0.5A MAX
CONTACT RESISTANT	15mΩ Max
INSULATION WITHSTAND	100MΩ Min
PROTECTION	IP67(MATED)

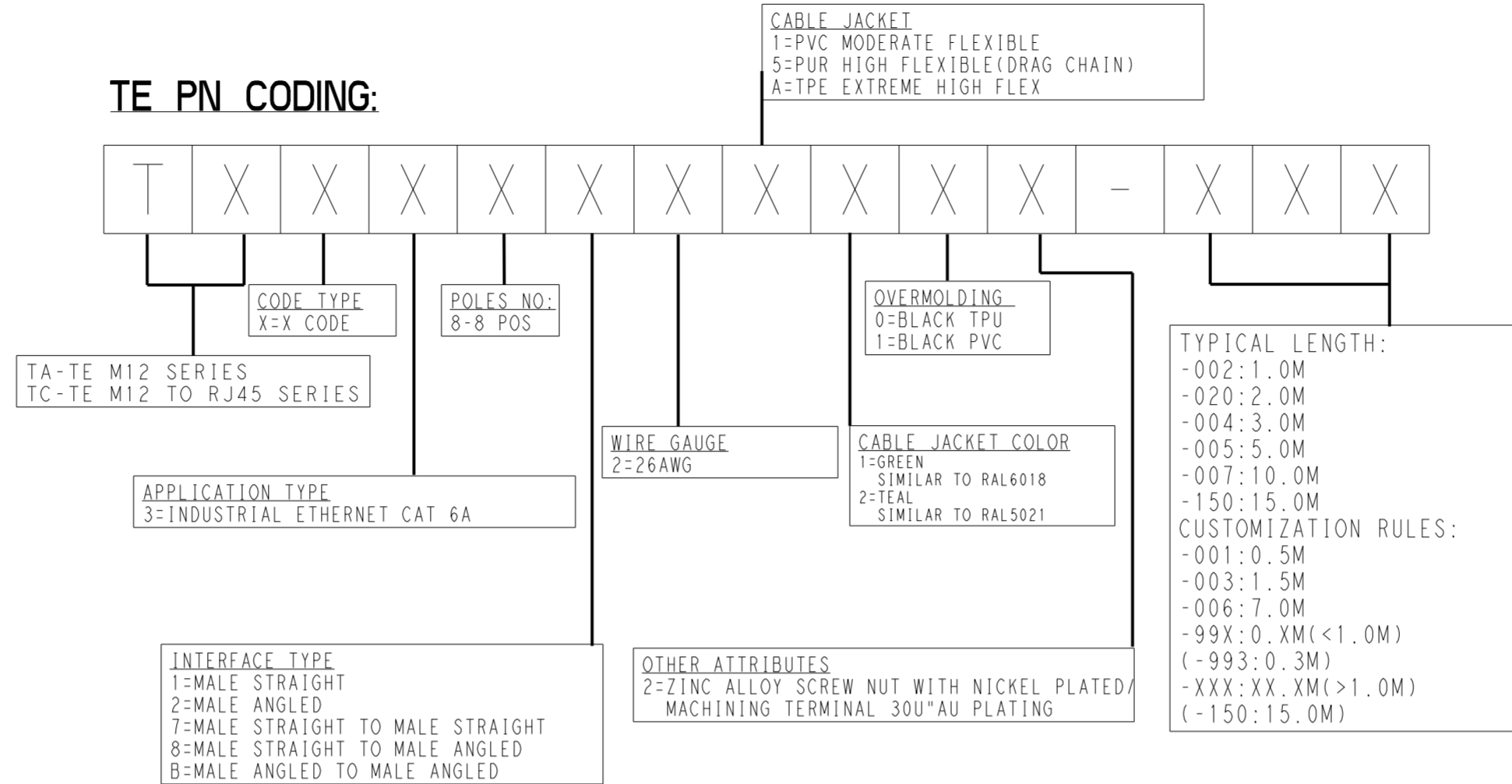
THIS DRAWING IS A CONTROLLED DOCUMENT.

DIMENSIONS:	TOLERANCES UNLESS OTHERWISE SPECIFIED:	DWN 09NOV2020 GAVIN WANG	TE Connectivity
mm	0 PLC ± 1 PLC ± 2 PLC ± 3 PLC ± 4 PLC ± ANGLES ± FINISH	CHK 09NOV2020 KEVIN HUANG	
MATERIAL		APVD 09NOV2020 CHRIS WANG	NAME M12 X-CODE RA, MALE, SHIELDED SINGLE END
		PRODUCT SPEC 108-137538	SIZE A2
		APPLICATION SPEC 114-137538	CAGE CODE 00779
		WEIGHT -	DRAWING NO TAX3822XXX2XXX
		CUSTOMER DRAWING; RESTRICTED CUSTOMER	RESTRICTED TO A

SCALE 2:1 SHEET 1 OF 2 REV A

P	LTR	DESCRIPTION	DATE	DWN	APVD

TE PN CODING:



- NOTE:
1. TECHNICAL DATA:SEE TABLE I
  2. TYPICAL HAND TIGHENED TORQUE IS 0.4 Nm
  3. -\*\* :CABLE LENGTH, FOR EXAMPLE: -1.0M
  4. CABLE ASSEMBLY TO BE PACKAGED AS PACKAGING SPECIFICATION.
  5. TEMPERATURE RANGE: -25°C~80°C(MOVED) -40°C~80°C(FIXED)
  6. TRANSMISSION CHARACTERISTICS: Ethernet CAT 6A, 10 Gbps
  3. LABEL CONTAINS: PN, DATE CODE...

- 注释:
1. 技术参数:参考表 I
  2. 标准手拧扭矩0.4 Nm
  3. -\*\* :线缆长度 例如: 1.0M
  4. 线缆组件按照包装规范包装;
  5. 工作温度: -25°C~80°C(MOVED) -40°C~80°C(FIXED)
  6. 传输特性:CAT 6A, 10Gbps
  3. 标签包含: 产品编号, 日期代码...

WIRES: 26AWGX4P WIRES COLOR: SEE ABOVE PIN ASSIGNMENT OD: APPROX.7.45MM TEMPERATURE RAING: DRAG CHAIN TEST: 1.0MILLION CYCLES MIN. (R=75MM, V=2M/S, A=2M/S <sup>2</sup> ) TORSION REST:3 MILLION MIN.	TYPICAL LENGTH: -002:1.0M -020:2.0M -004:3.0M -005:5.0M -007:10.0M -150:15.0M	M12带TPE线X型弯型8针公插X.XM	RPC-M12X-MR-8CON-TPE-**SH	8	TAX3822A202-XXX
WIRES: 26AWGX4P WIRES COLOR: SEE ABOVE PIN ASSIGNMENT OD: APPROX.7.25MM DRAG CHAIN TEST: 3.0MILLION CYCLES MIN. (R=100MM, V=2M/S, A=2M/S <sup>2</sup> )	CUSTOMIZATION RULES: -001:0.5M -003:1.5M -006:7.0M -99X:0.XM(<1.0M) (-993:0.3M) -XXX:XX.XM(>1.0M) (-150:15.0M)	M12带PUR线X型弯型8针公插X.XM	RPC-M12X-MR-8CON-PUR-**SH	8	TAX38225102-XXX
WIRES: 26AWGX4P WIRES COLOR: SEE ABOVE PIN ASSIGNMENT OD: APPROX.6.7MM FOR 4P		M12带PVC线X型弯型8针公插X.XM	RPC-M12X-MR-8CON-PVC-**SH	8	TAX38221112-XXX
CABLE CHARACTERISTIC 线缆特性	LENGTH "L"(M) 长度"L"(米)	DESCRIPTION 描述	TYPE 型号	POS.	TE PN TE 料号

THIS DRAWING IS A CONTROLLED DOCUMENT.

DIMENSIONS: mm	TOLERANCES UNLESS OTHERWISE SPECIFIED: 0 PLC ± 1 PLC ± 2 PLC ± 3 PLC ± 4 PLC ± ANGLES ± FINISH	DWN 09NOV2020 GAVIN WANG CHK 09NOV2020 KEVIN HUANG APVD 09NOV2020 CHRIS WANG	NAME M12 X-CODE RA, MALE, SHIELDED SINGLE END
MATERIAL		PRODUCT SPEC 108-137538	SIZE   CAGE CODE   DRAWING NO   RESTRICTED TO
		APPLICATION SPEC 114-137538	A2   00779   TAX3822XXX2XXX
		WEIGHT	CUSTOMER DRAWING;RESTRICTED CUSTOMER   SCALE 2:1   SHEET 2 OF 2   REV A

STE TE Connectivity