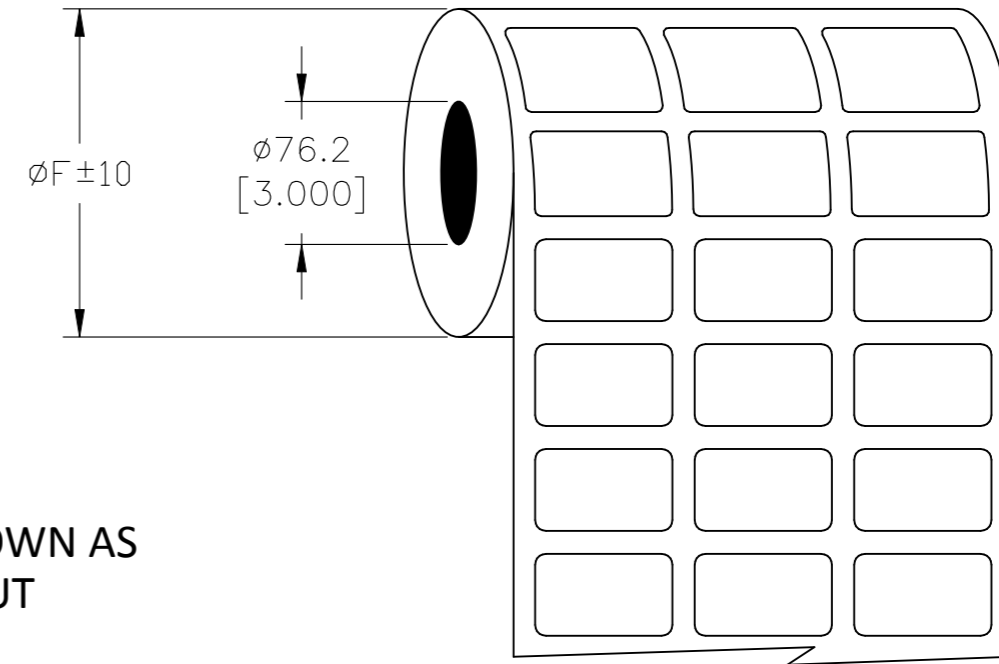
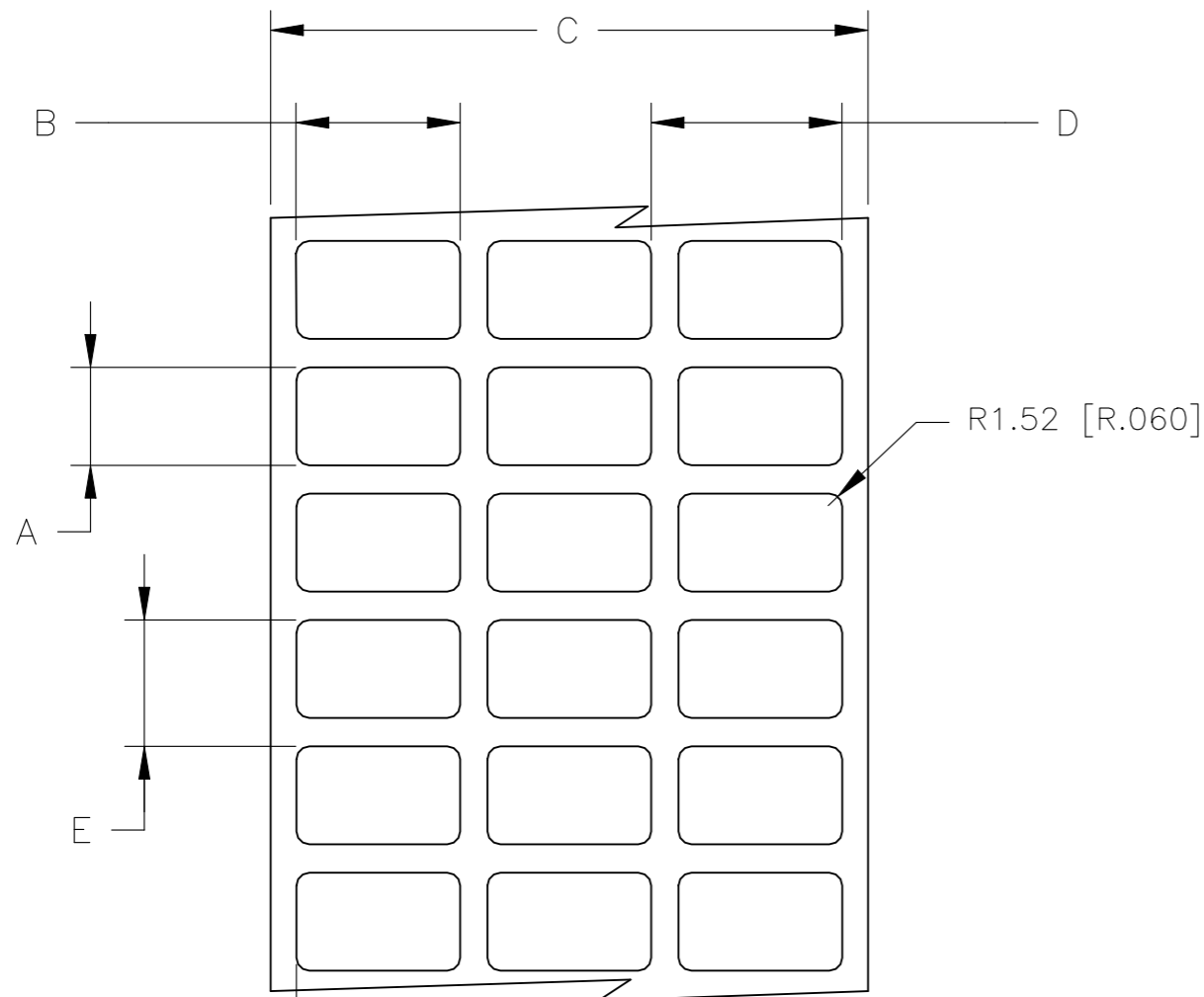


P	LTR	DESCRIPTION	DATE	DWN	APVD
	A	INITIAL RELEASE	08SEP2021	MN	AK

LABEL AND LINER DESIGN

PRESENTATION



TN-191114-15-9 SHOWN AS
EXAMPLE LAYOUT

All dimensions in mm [Inches]

3.0 [.118]

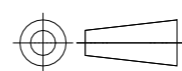
PART NUMBER	DESCRIPTION	TTDS	LABEL HEIGHT (A)		LABEL WIDTH (B)		WEB WIDTH (C)		Labels Across	HORIZONTAL REPEAT (D)		VERTICAL REPEAT (E)		Labels per roll	Roll Dia (F) mm	Weight Net (g)
			mm	Inch	mm	Inch	mm	Inch		mm	Inch	mm	Inch			
E57467-000	TN-089047-10-9	TTDS-091	4.70	0.185	8.90	0.350	60.60	2.386	5	11.40	0.450	7.90	0.313	10000	96	0.004
A47929-000	TN-191114-15-9	TTDS-091	11.40	0.450	19.10	0.750	69.50	2.736	3	22.20	0.875	14.70	0.579	15000	130	0.026
A43672-000	TN-381020-10-9	TTDS-091	2.03	0.080	38.10	1.500	44.40	1.750	1	N/A	N/A	5.21	0.205	10000	118	0.003
E88369-000	TN-508254-5-9	TTDS-091	25.40	1.000	50.80	2.000	57.00	2.250	1	N/A	N/A	28.60	1.125	5000	161	0.116
F98478-000	TN-508508-3-9	TTDS-091	50.80	2.000	50.80	2.000	54.00	2.130	1	N/A	N/A	54.00	2.126	3000	169	0.303

THIS DRAWING IS A CONTROLLED DOCUMENT.

TOLERANCES mm [INCH]

LABEL HEIGHT:	±0.3 [.012]
LABEL WIDTH:	±0.3 [.012]
WEB WIDTH:	±0.8 [.031]
VERTICAL REPEAT:	±0.8 [.031]*
HORIZONTAL REPEAT:	±0.8 [.031]*
PRINT POSITIONING:	±0.8 [.031]*
LEFT MARGIN:	±0.4 [.016]
QUANTITY:	-0 % +2 %
*NON ACCUMULATING	

DIMENSIONS:
mm [INCHES]



TOLERANCES UNLESS OTHERWISE SPECIFIED:
0 PLC ± -
1 PLC ± -
2 PLC ± -
3 PLC ± -
4 PLC ± -
ANGLES ± -

MATERIAL

FINISH

DWN	M. NUTTALL	08SEP2021
CHK	M. NUTTALL	08SEP2021
APVD	A. KEAN	08SEP2021
PRODUCT SPEC	TTDS-091	
APPLICATION SPEC	-	
WEIGHT	SEE TABLE	A3C2290
CUSTOMER DRAWING		



NAME
TN - TAMPER EVIDENT DESTRUCTIBLE LABELS

MATERIAL	TAMPER EVIDENT DESTRUCTIBLE POLYETHYLENE
ADHESIVE TYPE	RUBBER
LINER	GLASSINE PAPER

SIZE	CAGE CODE	DRAWING NO	RESTRICTED TO
-	A3C2290	G-TN-TABLULATED-CD	-
SCALE		SHEET	REV
NTS		1 OF 1	A