

Technical Data

Construction

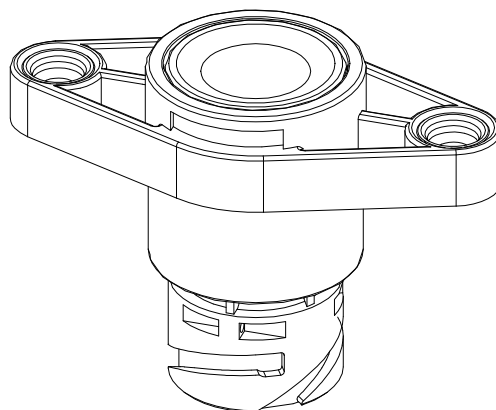
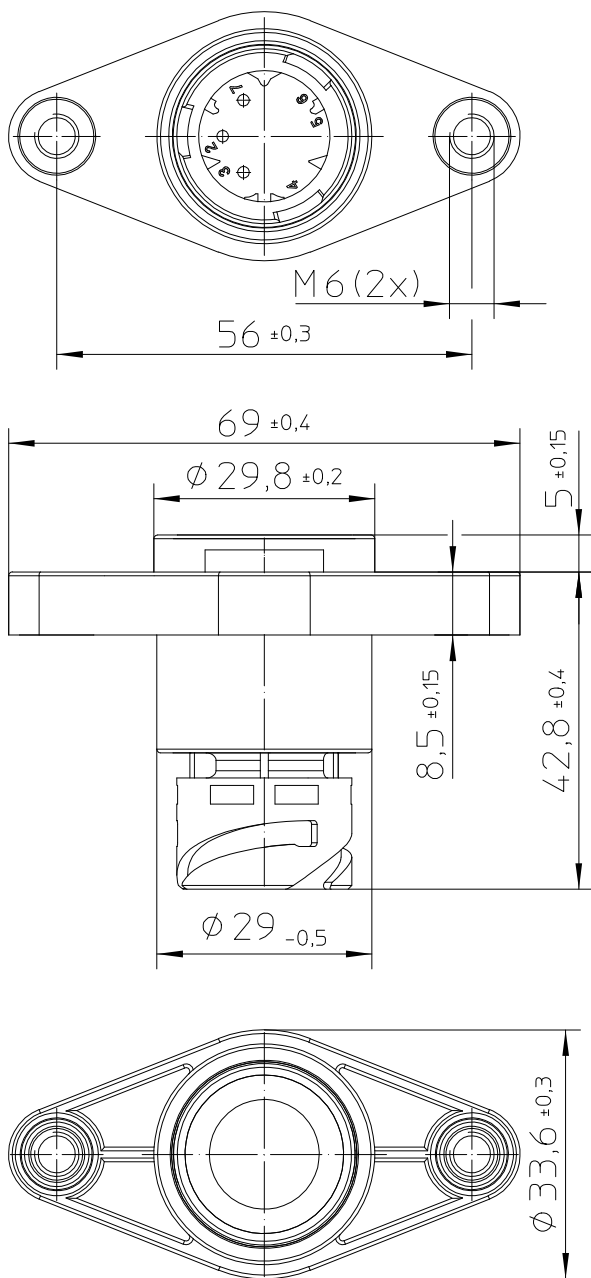
Socket materialPA black
 Button materialPMMA red
 Protection interior IP6K9K IEC 60529
 connectorIP00 IEC 60529
 Max. torque max. 7 Nm
 Weight approx. 29g

Mechanical Data

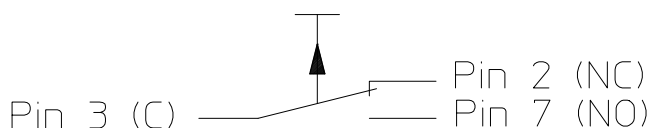
Pre travel 1,5±0,5mm
 Total travel 2,5±0,5mm
 Operating force 30-45N
 Current carrying parts Cu-alloy
 Contact material Ag-alloy
 Mechanical life 100 000 cycles
 Temperature Range -40°C to +90°C

Electrical Data

Voltage Range 9VDC to 32VDC
 Electrical load 10mA to 5A



Circuit Diagram



For this drawing we reserve the copyright in accordance with DIN ISO 16016

	Date	Name
Create	11.11.2016	Baumg
Edited	13.02.2019	Hamar
Check	13.02.2019	Baumg

mm	Scale
↔	1:1
General Tolerances DIN ISO 2768 cL	



Drawing No:	TS-111-RT11
NSN:	