

## Technical Data

### Construction

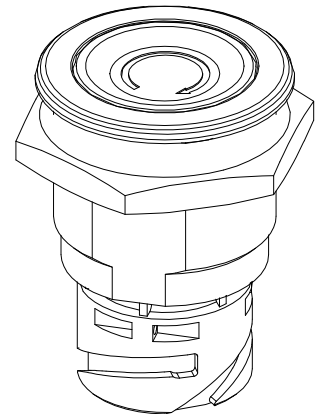
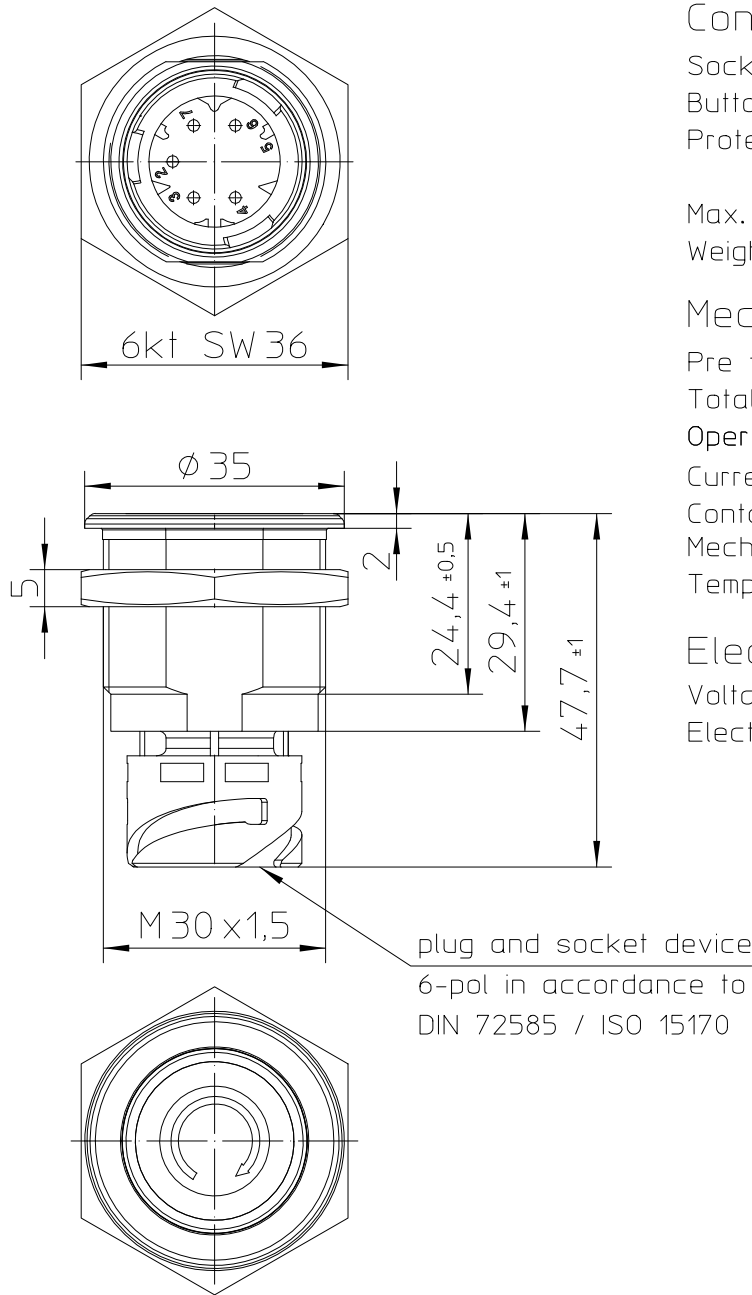
Socket material.....PA black  
 Button material ..... PA blue illuminated  
 Protection interior..... IP6K9K IEC 60529  
 connector..... IP00 IEC 60529  
 Max. torque .....max. 6 Nm  
 Weight .....approx. 28g

### Mechanical Data

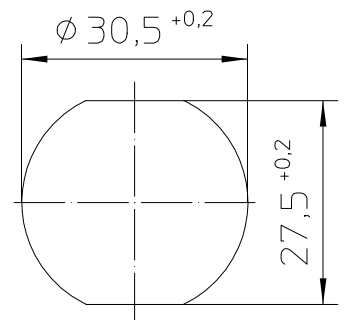
Pre travel .....1,5±0,5mm  
 Total travel .....2,5±0,5mm  
 Operating force .....30-45N  
 Current carrying parts ..... Cu-alloy  
 Contact material .....Ag-alloy  
 Mechanical life.....100 000 cycles  
 Temperature Range .....-40°C to +90°C

### Electrical Data

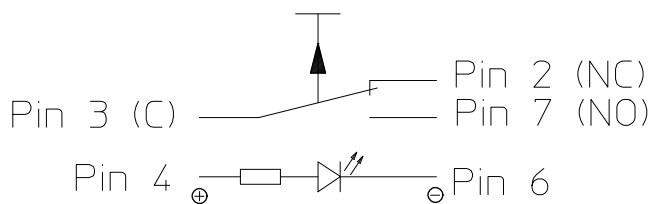
Voltage Range.....9VDC to 32VDC  
 Electrical load.....10mA to 5A



### Mounting Dimensions



### Circuit Diagram



	Date	Name	mm	Scale		Drawing No:
Drawn	21.03.2018	Hamar	↔	1:1		TS-211-BL32
Check	16.07.2018	Baumg	General Tolerances DIN ISO 2768 cL		NSN:	