

Technical Data

Construction

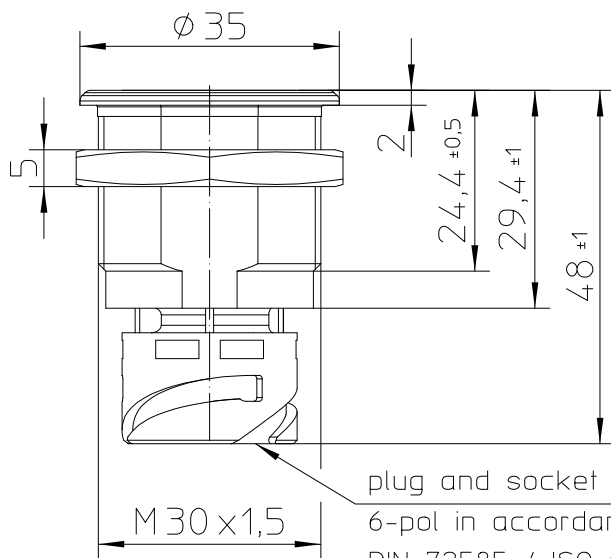
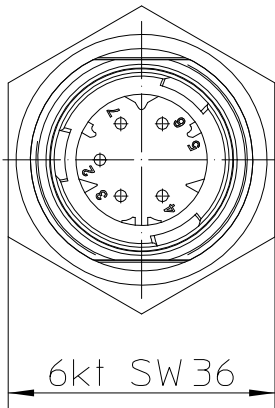
Socket material.....PA black
 Button materialPMMA green illuminated
 Protection interior..... IP6K9K IEC 60529
 connector..... IP00 IEC 60529
 Max. torquemax. 5 Nm
 Weightapprox. 28g

Mechanical Data

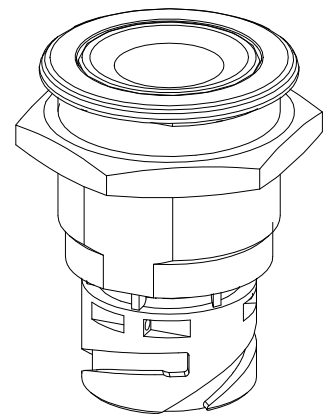
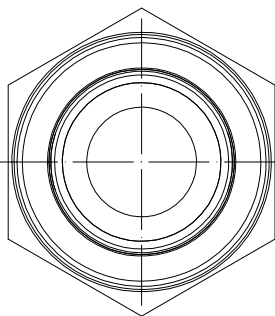
Pre travel1,5±0,5mm
 Total travel2,5±0,5mm
 Operating force30-45N
 Current carrying parts Cu-alloy
 Contact materialAg-alloy
 Mechanical life 100 000 cycles
 Temperature Range-40°C to +90°C

Electrical Data

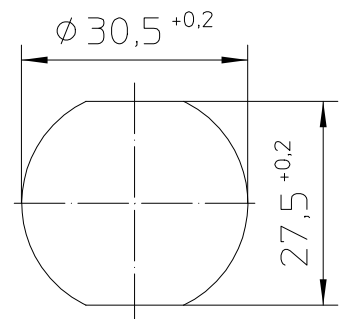
Voltage Range.....9VDC to 32VDC
 Electrical load.....10mA to 5A



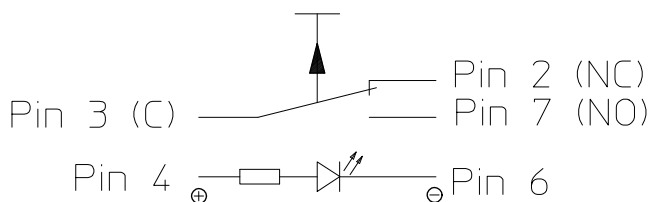
plug and socket device
 6-pol in accordance to
 DIN 72585 / ISO 15170



Mounting Dimensions



Circuit Diagram



For this drawing we reserve the copyright in accordance with DIN ISO 16016

	Date	Name
Create	05.10.2017	Baumg
Edited	18.02.2019	Hamar
Check	25.02.2019	Baumg

mm ↔	Scale 1:1
General Tolerances DIN ISO 2768 cL	



Drawing No:

TS-211-GN12

NSN: