

EC No.
21415
21607
22060
22595
22615

Push Button Switch

Technical Data

Construction

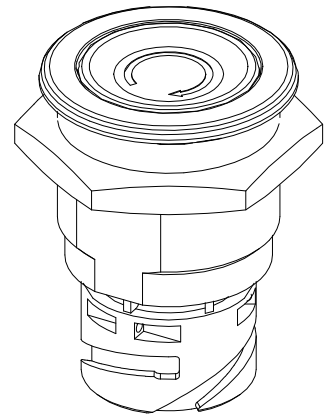
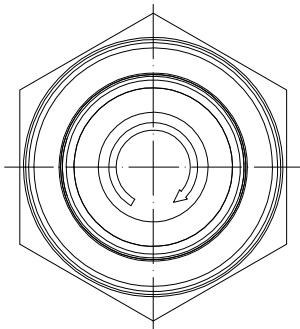
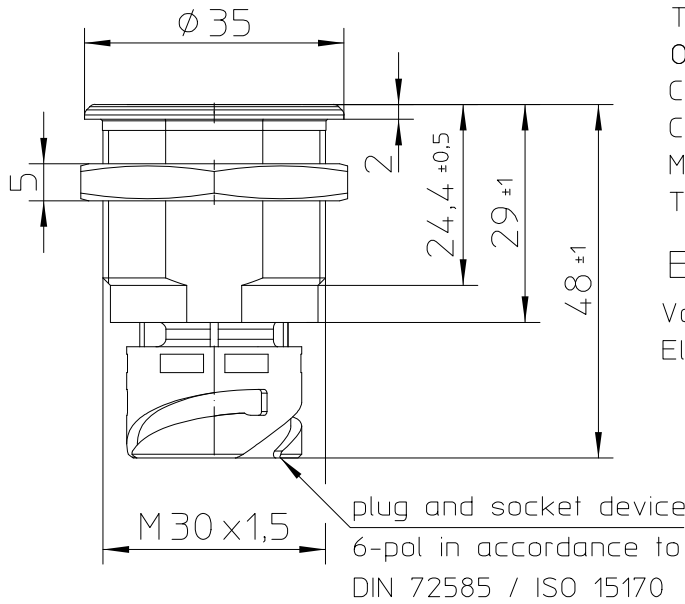
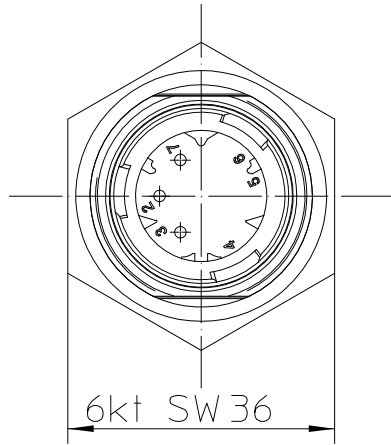
Socket materialPA black
 Button material PMMA green
 Protection interior IP6K9K IEC 60529
 connectorIP00 IEC 60529
 Max. torque max. 5 Nm
 Weight 25g

Mechanical Data

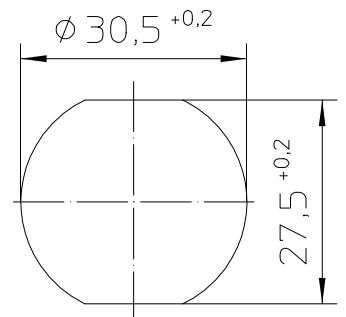
Pre travel 1,5±0,5mm
 Total travel 2,5±0,5mm
 Operating force 30 to 45N
 Current carrying parts Cu-alloy
 Contact material Ag-alloy
 Mechanical life 100 000 cycles
 Temperature Range -40°C to +90°C

Electrical Data

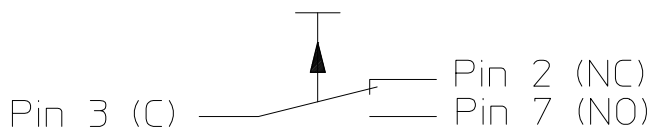
Voltage Range 9VDC to 32VDC
 Electrical load 10mA to 5A



Mounting Dimensions



Circuit Diagram



For this drawing we reserve the copyright in accordance with DIN ISO 16016

	Date	Name	mm	Scale		Drawing No:
Create	09.03.2011	Weiro	↔	1:1		TS-211-GN31
Edited	18.02.2019	Hamar	General Tolerances		NSN:	
Check	25.02.2019	Baumg	DIN ISO 2768 cL			