

## Technical Data

### Construction

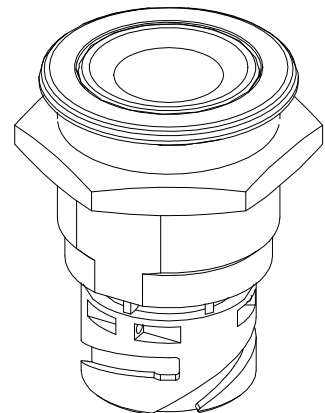
Socket material ..... PA black  
 Button material ..... PMMA red  
 Protection interior..... IP6K9K IEC 60529  
 connector..... IP00 IEC 60529  
 Max. torque ..... max. 5 Nm  
 Weight ..... 25g

### Mechanical Data

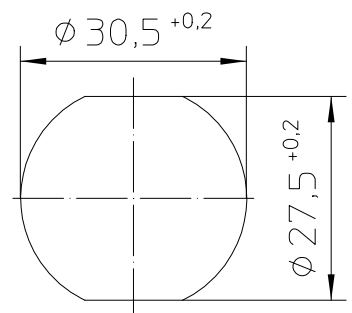
Pre travel ..... 1,5±0,5mm  
 Total travel ..... 2,5+0,5mm  
 Operating force ..... 30 to 45N  
 Current carrying parts..... Cu-alloy  
 Contact material ..... Ag-alloy  
 Mechanical life..... 100 000 cycles  
 Temperature Range ..... -40°C to +90°C

### Electrical Data

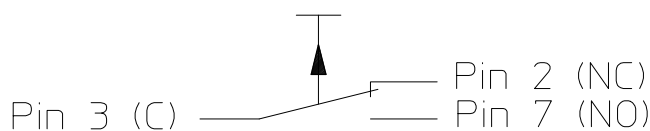
Voltage Range ..... 9VDC to 32VDC  
 Electrical load ..... 10mA to 5A



## Mounting Dimensions



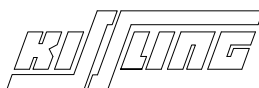
## Circuit Diagram



For this drawing we reserve the copyright in accordance with DIN ISO 16016

	Date	Name
Create	22.02.2013	Mielk
Edited	21.02.2019	Hamar
Check	25.02.2019	Baumg

mm ↔	Scale 1:1
General Tolerances DIN ISO 2768 cL	



Drawing No:

TS-211-RT11

NSN: