

EC No.
21607
22060
22595
22615

Push Button Switch

Technical Data

Construction

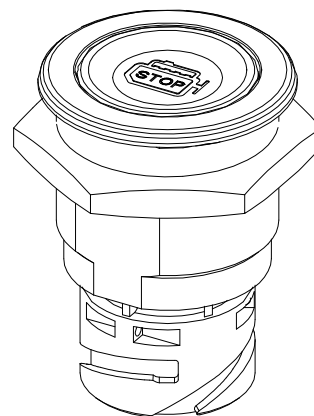
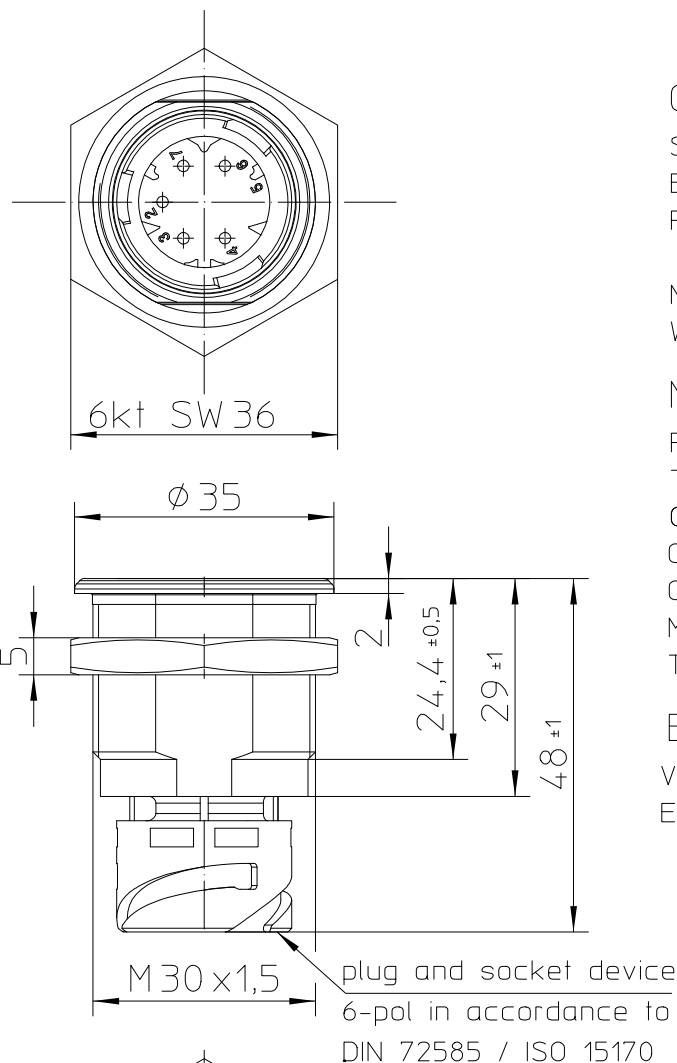
Socket material PA black
 Button material PMMA red illuminated
 Protection interior..... IP6K9K IEC 60529
 connector..... IP00 IEC 60529
 Max. torque max. 5 Nm
 Weight 28g

Mechanical Data

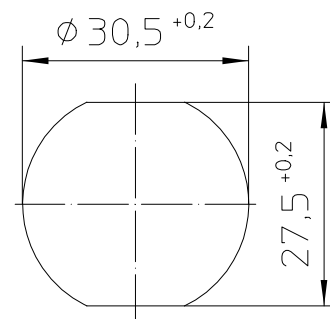
Pre travel 1,5±0,5mm
 Total travel 2,5±0,5mm
 Operating force 30 to 45N
 Current carrying parts Cu-alloy
 Contact material Ag-alloy
 Mechanical life 100 000 cycles
 Temperature Range -40°C to +90°C

Electrical Data

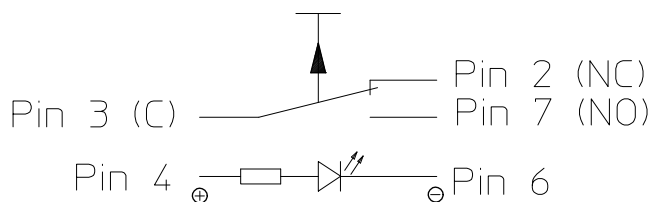
Voltage Range 9VDC to 32VDC
 Electrical load 10mA to 5A



Mounting Dimensions



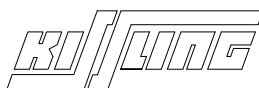
Circuit Diagram



For this drawing we reserve the copyright in accordance with DIN ISO 16016

	Date	Name
Create	13.01.2012	Drech
Edited	22.02.2019	Hamar
Check	25.02.2019	Baumg

mm	Scale
↔	1:1
General Tolerances	
DIN ISO 2768 cL	



Drawing No:

TS-211-RT62

NSN: