

EC No.
21607
21739
22595
22615

# Push Button Switch

## Technical Data

### Construction

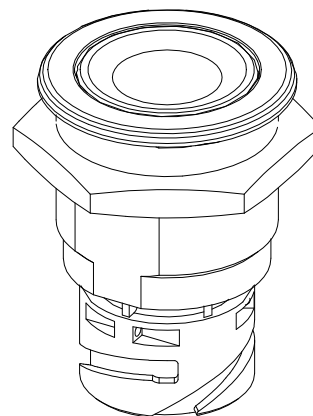
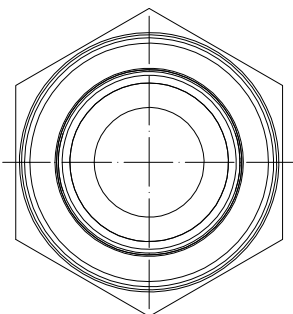
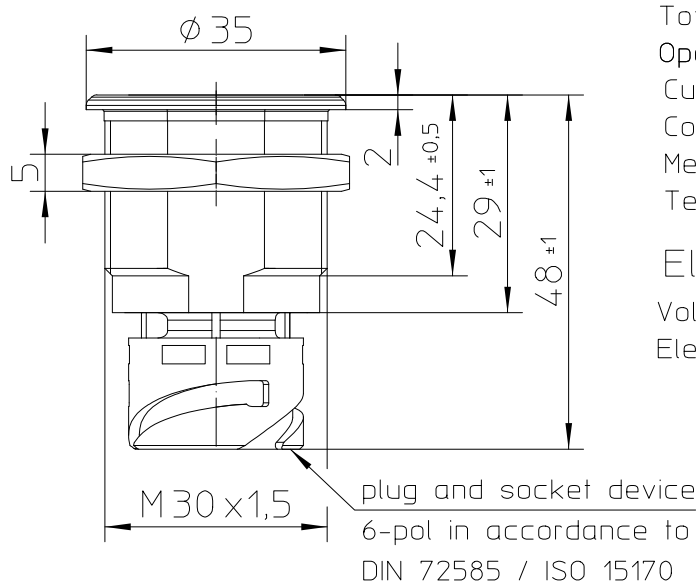
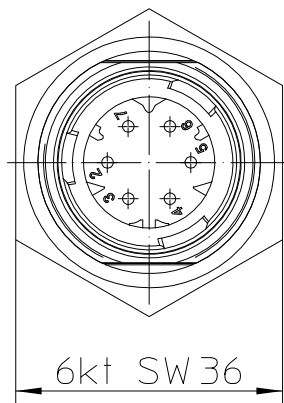
Socket material .....PA black  
 Button material .....PMMA black  
 Protection interior..... IP6K9K IEC 60529  
 connector..... IP00 IEC 60529  
 Max. torque ..... max. 5 Nm  
 Weight ..... 30g

### Mechanical Data

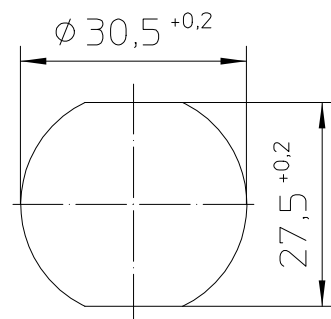
Pre travel ..... 1,5±0,5mm  
 Total travel ..... 2,5±0,5mm  
 Operating force .....30 to 45N  
 Current carrying parts ..... Cu-alloy  
 Contact material ..... Ag-alloy  
 Mechanical life..... 100 000 cycles  
 Temperature Range ..... -40°C to +90°C

### Electrical Data

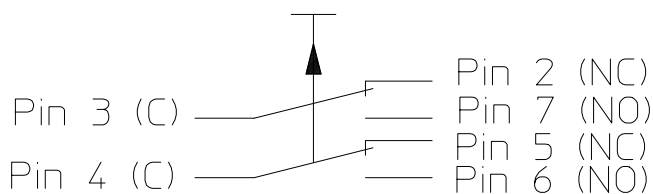
Voltage Range ..... 9VDC to 32VDC  
 Electrical load ..... 10mA to 5A



### Mounting Dimensions



### Circuit Diagram



For this drawing we reserve the copyright in accordance with DIN ISO 16016

	Date	Name
Create	31.05.2011	Drech
Edited	25.03.2019	Hamar
Check	25.03.2019	Baumg

mm	Scale
↔	1:1
General Tolerances	
DIN ISO 2768 cL	



Drawing No:	TS-221-SW11
NSN:	