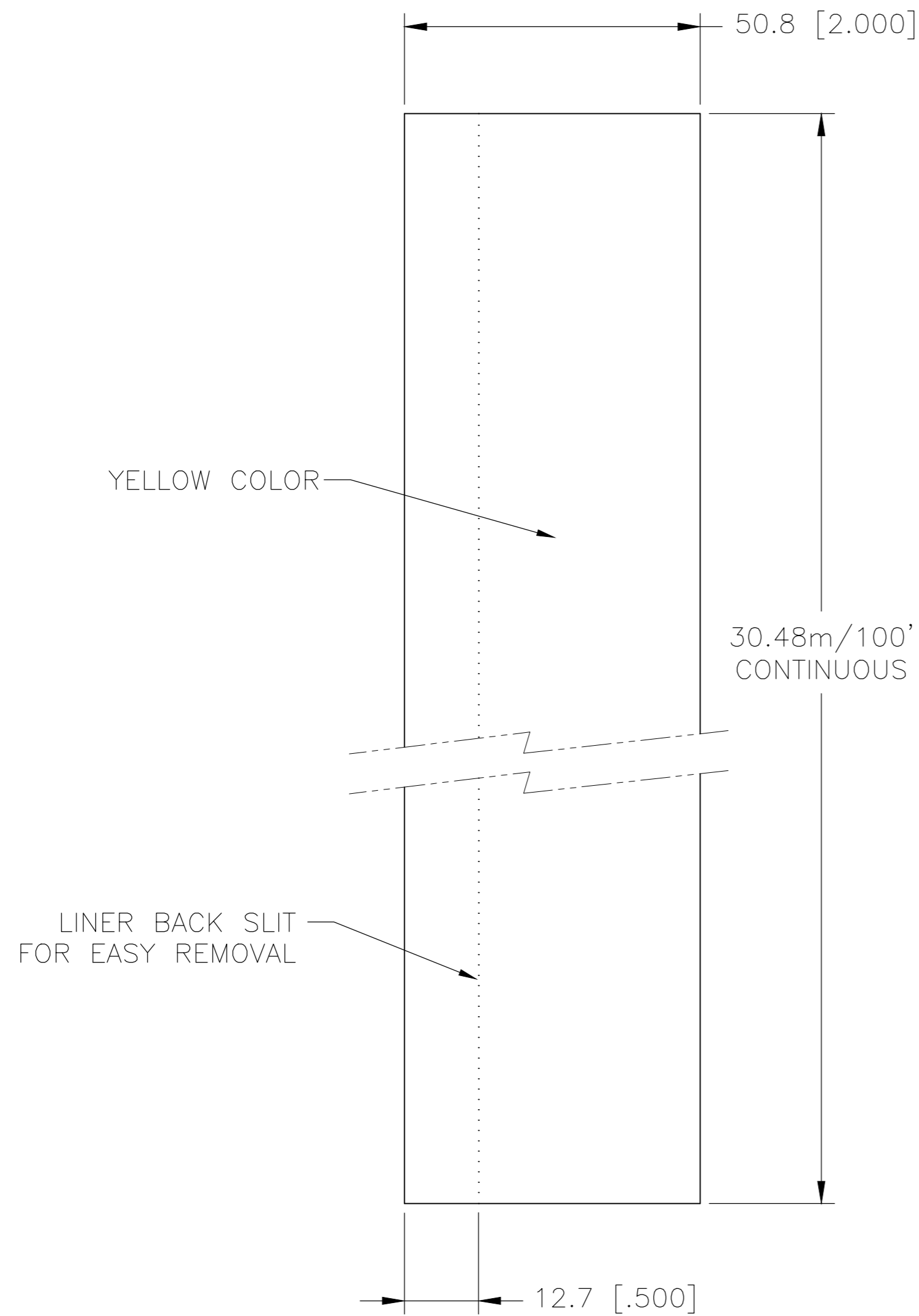
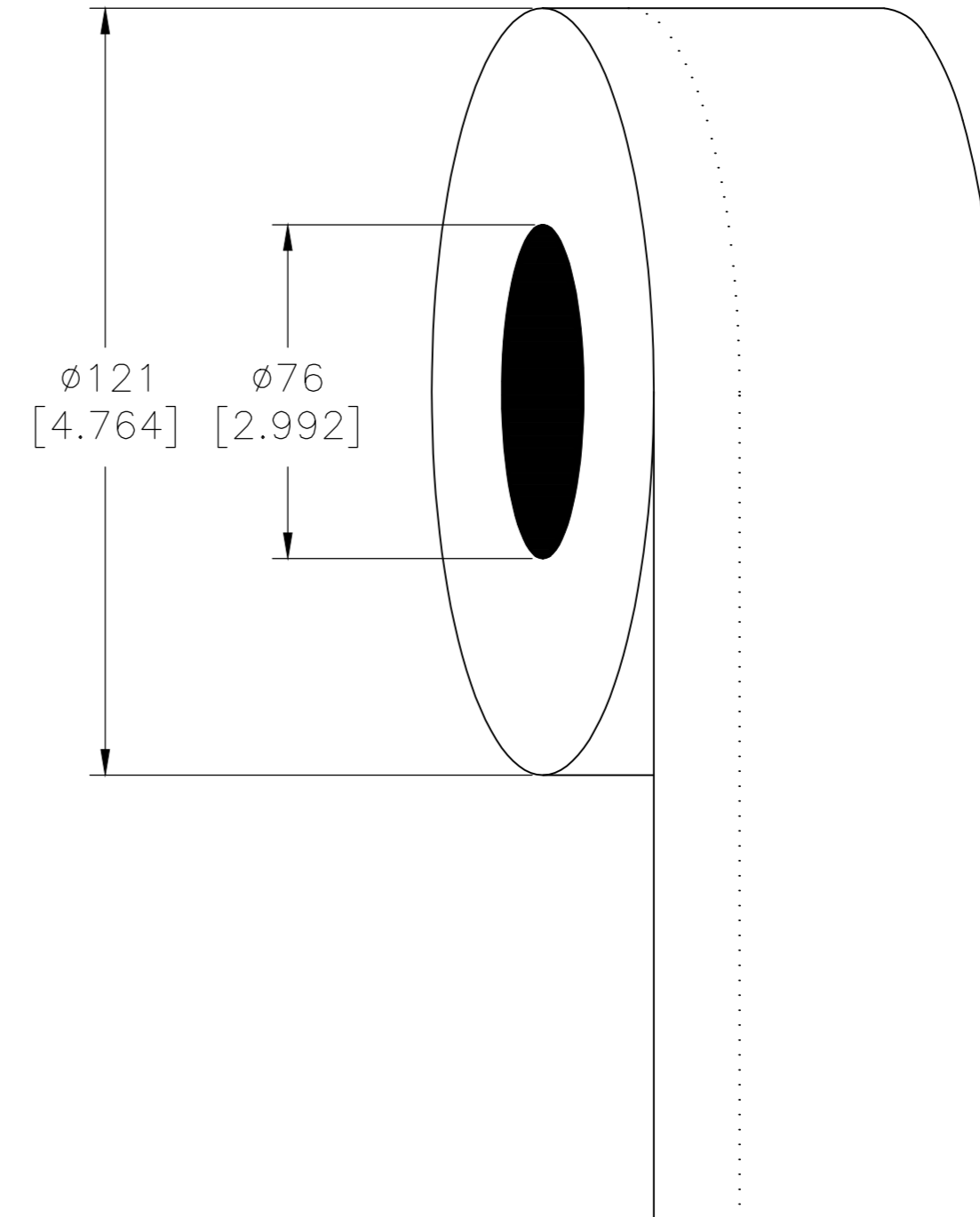


REVISIONS					
P	LTR	DESCRIPTION	DATE	DWN	APVD
A		NEW DRAWING	08MAY2020	GK	DB

### LABEL AND LINER DESIGN



### PRESENTATION



All dimensions in mm [Inch]

**TE PN: 097370-000**

**OUTSIDE WOUND (BACK SLIT LEFT)**  
**LABEL ACROSS: 1**  
**PER ROLL QTY: 30.48m / 100 feet**

TOLERANCES mm [INCH]	
LABEL HEIGHT:	$\pm 0.3$ [.012]
LABEL WIDTH:	$\pm 0.3$ [.012]
WEB WIDTH:	$\pm 0.8$ [.031]
VERTICAL REPEAT:	$\pm 0.8$ [.031]*
HORIZONTAL REPEAT:	$\pm 0.8$ [.031]*
PRINT POSITIONING:	$\pm 0.8$ [.031]*
LEFT MARGIN:	$\pm 0.4$ [.016]
QUANTITY:	-0 % +2 %
*NON ACCUMULATING	

THIS DRAWING IS A CONTROLLED DOCUMENT.	
DIMENSIONS: mm [INCHES]	TOLERANCES UNLESS OTHERWISE SPECIFIED:
	0 PLC $\pm$
	1 PLC $\pm$
	2 PLC $\pm$
	3 PLC $\pm$
4 PLC $\pm$	
ANGLES	$\pm$
MATERIAL SEE TABLE	FINISH GLOSS

DWN	12MAY2020	GOPALAKRISHNA HV	TE Connectivity
CHK	12MAY2020	D.BURGAT	
APVD	12MAY2020	D.BURGAT	
PRODUCT SPEC	TTDS-005		
APPLICATION SPEC	-		
WEIGHT	212g	SIZE	A2
CUSTOMER DRAWING	CAGE CODE	FB1U7	DRAWING NO
			TTVF200YW-100
	SCALE	NTS	SHEET 1 of 1
			REV A