

4

3

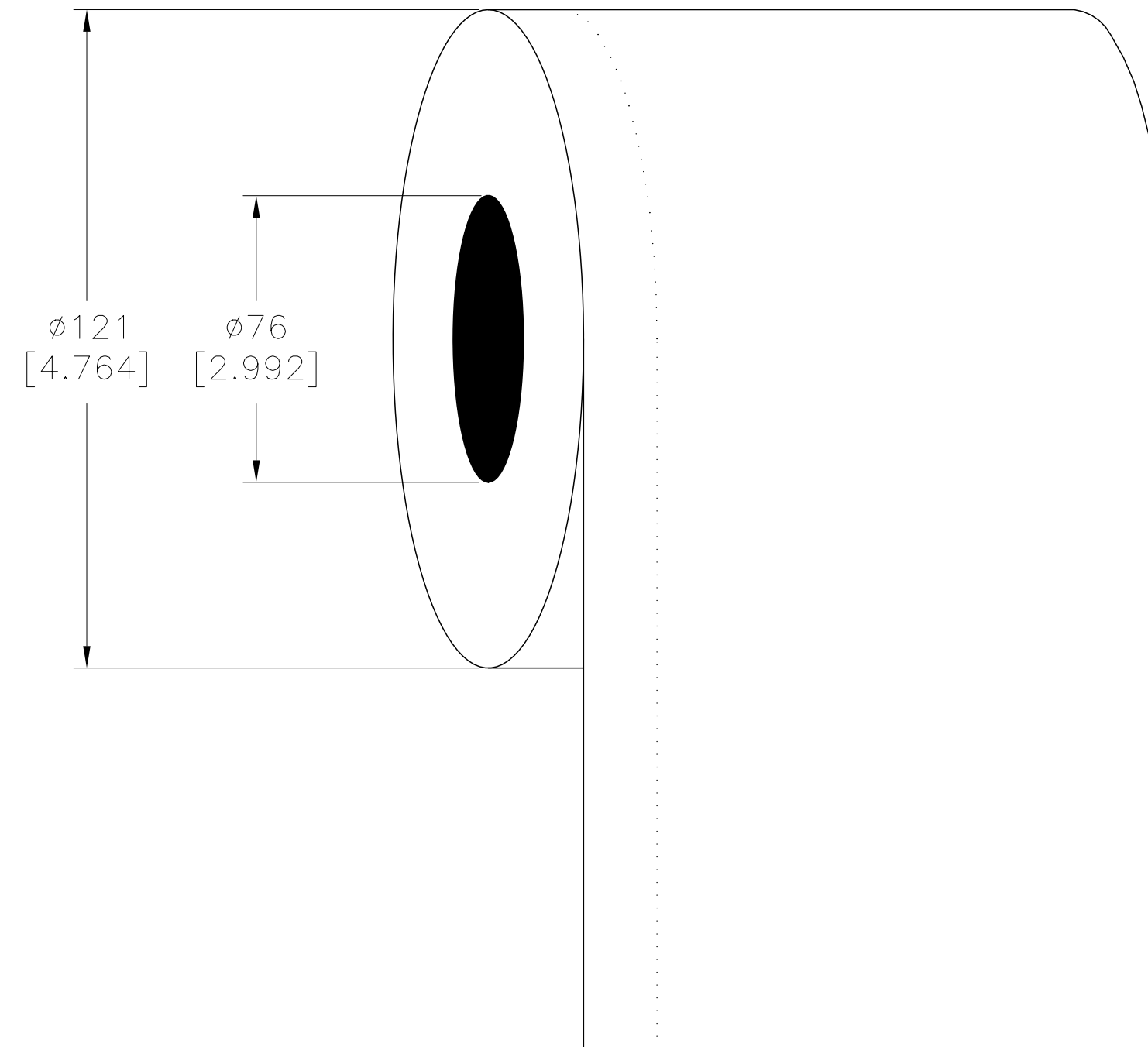
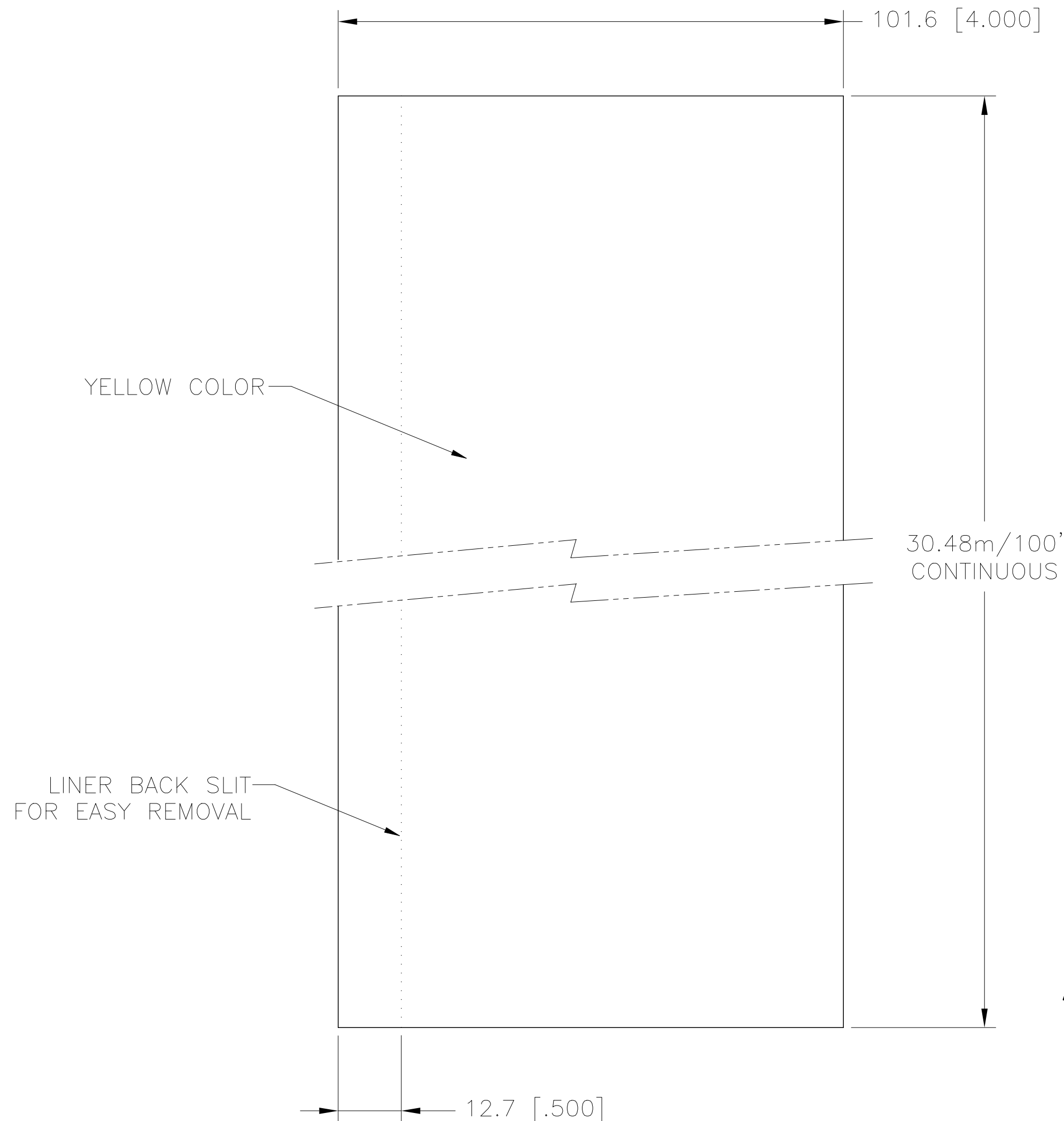
2

1

REVISIONS					
P	LTR	DESCRIPTION	DATE	DWN	APVD
	A	NEW DRAWING	08MAY2020	GK	DB

LABEL AND LINER DESIGN

PRESENTATION



All dimensions in mm [Inch]

OUTSIDE WOUND (BACK SLIT LEFT)
LABEL ACROSS: 1
PER ROLL QTY: 30.48m / 100 feet

TE PN: 985382-000

MATERIAL	POLYVINYL FLUORIDE (TEDLAR®)
ADHESIVE TYPE	PERMANENT ACRYLIC
LINEAR	BROWN KRAFT

TOLERANCES mm [INCH] LABEL HEIGHT: ±0.3 [.012] LABEL WIDTH: ±0.3 [.012] WEB WIDTH: ±0.8 [.031] VERTICAL REPEAT: ±0.8 [.031]* HORIZONTAL REPEAT: ±0.8 [.031]* PRINT POSITIONING: ±0.8 [.031]* LEFT MARGIN: ±0.4 [.016] QUANTITY: -0 % +2 % *NON ACCUMULATING		THIS DRAWING IS A CONTROLLED DOCUMENT. DIMENSIONS: mm [INCHES] TOLERANCES UNLESS OTHERWISE SPECIFIED: 0 PLC ± 1 PLC ± 2 PLC ± 3 PLC ± 4 PLC ± ANGLES ± -		DWN 12MAY2020 GOPALAKRISHNA HV CHK 12MAY2020 D.BURGAT APVD 12MAY2020 D.BURGAT PRODUCT SPEC TTDS-005 APPLICATION SPEC		NAME TEDLAR® LABEL - YELLOW - CONTINUOUS 101.6mm x 30.4m (4inch x 100ft)							
MATERIAL SEE TABLE		FINISH GLOSS		WEIGHT 424g		SIZE A2		CAGE CODE FB1U7		DRAWING NO C=TTVF400YW-100		RESTRICTED TO -	
CUSTOMER DRAWING				SCALE NTS		SHEET 1 of 1		REV A					

TTVF400YW-100