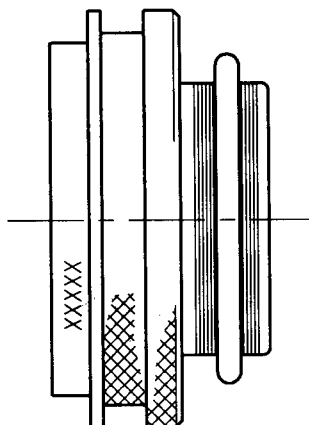



ISSUE	DESCRIPTION	DRAWN	DATE	APPR
A	INITIAL ISSUE	IRT	APR 98	KJW



TINEL ADAPTOR ASSEMBLY - FIXED

NOTES

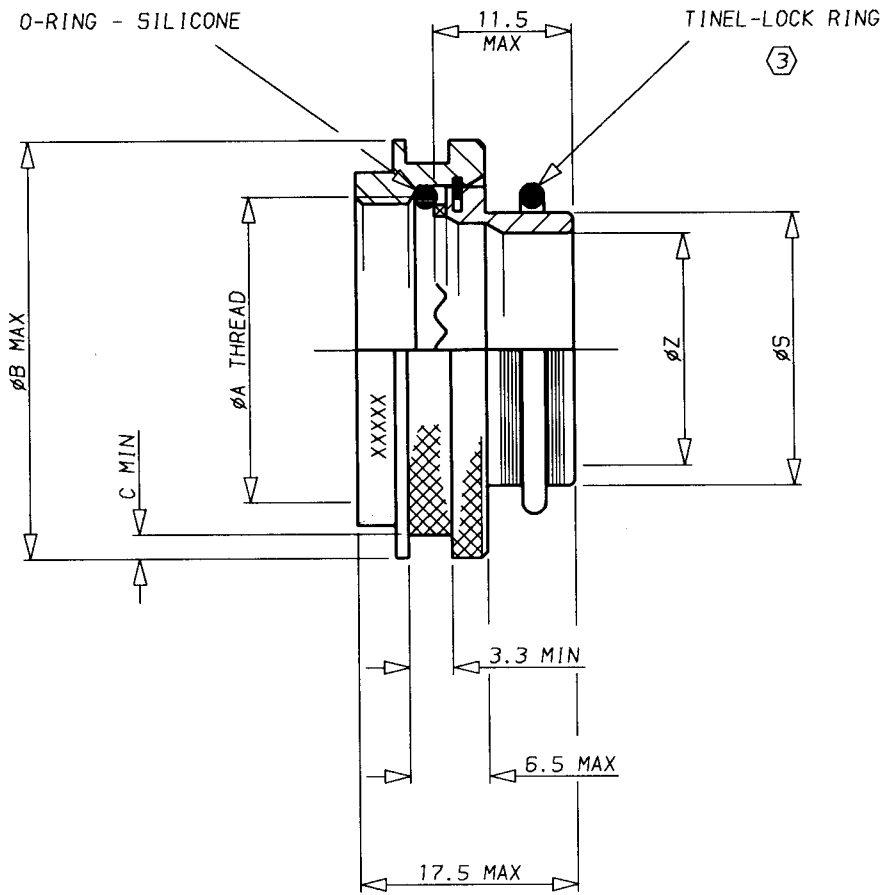
1. THIS PRODUCT IS DESIGNED TO TERMINATE A BRAIDED CABLE SHIELD AND A HEAT SHRINKABLE LIPPED BOOT TO A CONNECTOR - SEE NOTE 6.
- ② SEE SHEET 2 FOR TABLES OF DIMENSIONS, AND SHEET 3 FOR PART NUMBERING SYSTEM AND ORDERING INFORMATION.
- ③ SEE DRAWING TR FOR DETAIL ON TINEL-LOCK RING. RINGS ARE DESIGNED TO BE HEATED ELECTRICALLY. ALL RINGS ARE MARKED WITH THERMOCHROMIC PAINT WHICH CHANGES COLOUR WHEN INSTALLATION TEMPERATURE IS REACHED.
4. ADAPTOR TO BE PERMANENTLY MARKED WITH CODE IDENTIFICATION NUMBER AND PART NUMBER LESS RING DESIGNATOR. (e.g. 06090 TX5118 AB00-1608). RING SHALL BEAR NO MARKING.
5. TINEL-LOCK RING IS TO BE SPECIFIED IN PART NUMBER WHEN ORDERING.
6. ADAPTOR MATES TO BS9522-F0012 PATT 615, JN1003, PAN6433-2, NFC93422 HE306 AND VG96912 CONNECTORS.
7. FOR ALTERNATIVE MATERIALS/FINISHES - CONTACT RAYCHEM.

SPECIFICATION CONTROL DRAWING			 RAYCHEM LIMITED FARADAY ROAD DORCAN, SWINDON, SN3 5HH WILTS. ENGLAND		
DO NOT SCALE THIS DRAWING		THIS DRAWING AND THE INFORMATION SET FORTH HEREON ARE THE PROPERTY OF RAYCHEM AND ARE TO BE HELD IN TRUST AND CONFIDENCE. PUBLICATION, DUPLICATION, DISCLOSURE OR USE FOR ANY OTHER PURPOSE NOT EXPRESSLY AUTHORISED IN WRITING BY RAYCHEM IS PROHIBITED.	TITLE TINEL ADAPTOR ASSEMBLY - FIXED		
DRAWN	IRT		DATE	APR 98	CODE IDENT NUMBER 06090
CHECKED	KJW		DATE	APR 98	
APPROVED	KJW		DATE	APR 98	DRAWING NUMBER TX5118
PROJECT NO	B5112		ISSUE A		
			SHEET 1 OF 3		

TX51185CD-1

ELECTRONICS OEM CONTROL STAMP. IF THIS STAMP IS RED, THIS IS A CONTROLLED DOCUMENT. IF BLACK, IT IS AN UNCONTROLLED COPY. CHECK FOR REVISION.

ISSUE	DESCRIPTION	DRAWN	DATE	APPR
A	INITIAL ISSUE	IRT	APR 98	KJW



ORDER NUMBER	ENTRY SIZE	ØA THREAD RH CLASS 2B	ØB MAX	C MIN
08	04	0.4375"-28 UNEF	19.50	1.15
10	06	0.5625"-24 UNEF	21.25	1.15
12	08	0.6875"-24 UNEF	24.50	1.15
14	10	0.8125"-20 UNEF	27.75	1.75
16	12	0.9375"-20 UNEF	32.50	1.75
18	14	1.0625"-18 UNEF	35.50	1.75
20	16	1.1875"-18 UNEF	38.75	1.75
22	18	1.3125"-18 UNEF	42.00	1.75
24	20	1.4375"-18 UNEF	45.00	2.15

ENTRY SIZE	ØZ	Ø5
04	6.35	9.39/ 9.56
05	7.92	10.97/11.13
06	9.53	12.57/12.73
07	11.10	14.12/14.31
08	12.70	15.72/15.91
10	15.87	18.84/19.11
12	19.05	22.02/22.28
14	22.23	25.17/25.46
16	25.40	28.34/28.63
18	28.57	31.52/31.81
20	31.75	34.69/34.98

SPECIFICATION CONTROL DRAWING

Raychem

RAYCHEM LIMITED
FARADAY ROAD
DORCAN, SWINDON, SN3 5HH
WILTS. ENGLAND

DO NOT SCALE
THIS DRAWING

THIS DRAWING AND THE INFORMATION SET FORTH HEREON ARE THE PROPERTY OF RAYCHEM AND ARE TO BE HELD IN TRUST AND CONFIDENCE. PUBLICATION, DUPLICATION, DISCLOSURE OR USE FOR ANY OTHER PURPOSE NOT EXPRESSLY AUTHORISED IN WRITING BY RAYCHEM IS PROHIBITED.

TITLE

TINEL ADAPTOR ASSEMBLY - FIXED

DRAWN	IRT	DATE	APR 98
CHECKED	KJW	DATE	APR 98
APPROVED	KJW	DATE	APR 98
PROJECT NO	85112		

CODE IDENT
NUMBER
06090

DRAWING NUMBER
TXS118

ISSUE
A

SHEET 2 OF 3

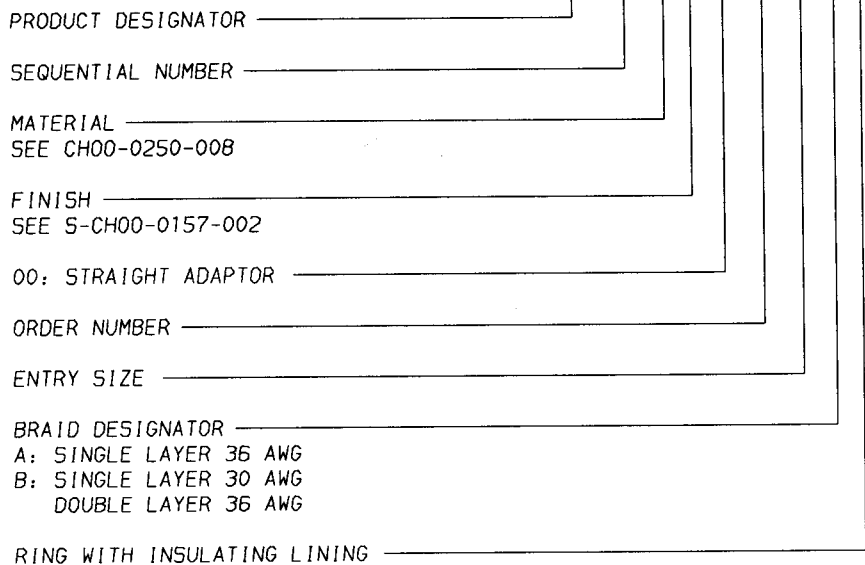
TXS118SCD-2

ELECTRONICS OEM CONTROL STAMP. IF THIS STAMP IS RED, THIS IS A CONTROLLED DOCUMENT. IF BLACK, IT IS AN UNCONTROLLED COPY. CHECK FOR REVISION.

ISSUE	DESCRIPTION	DRAWN	DATE	APPR
A	INITIAL ISSUE	IRT	APR 98	KJW

PART NUMBERING SYSTEM

TXS 118-A B 00-16 08 A I



SPECIFICATION CONTROL DRAWING

Raychem

RAYCHEM LIMITED
FARADAY ROAD
DORCAN, SWINDON, SN3 5HH
WILTS. ENGLAND

DO NOT SCALE
THIS DRAWING

THIS DRAWING AND THE INFORMATION SET FORTH HEREON ARE THE PROPERTY OF RAYCHEM AND ARE TO BE HELD IN TRUST AND CONFIDENCE. PUBLICATION, DUPLICATION, DISCLOSURE OR USE FOR ANY OTHER PURPOSE NOT EXPRESSLY AUTHORISED IN WRITING BY RAYCHEM IS PROHIBITED.

TITLE

TINEL ADAPTOR ASSEMBLY - FIXED

DRAWN	IRT	DATE APR 98
CHECKED	KJW	APR 98
APPROVED	KJW	APR 98
PROJECT NO	B5112	

CODE IDENT
NUMBER
06090

DRAWING NUMBER
TXS118

ISSUE
A

SHEET 3 OF 3

TXS118SCD-3

ELECTRONICS OEM CONTROL STAMP. IF THIS STAMP IS RED, THIS IS A CONTROLLED DOCUMENT. IF BLACK, IT IS AN UNCONTROLLED COPY. CHECK FOR REVISION.