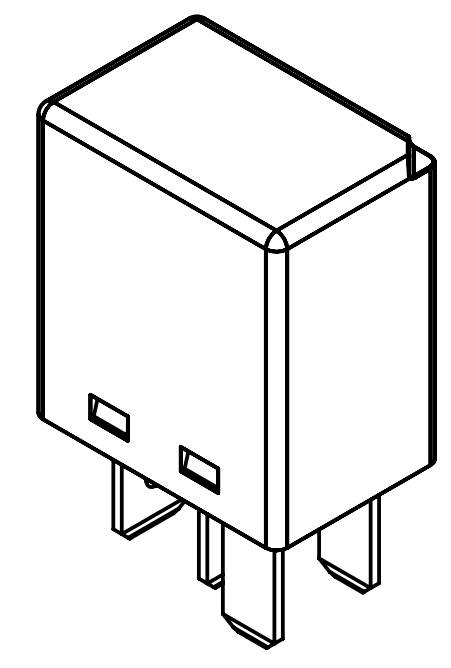
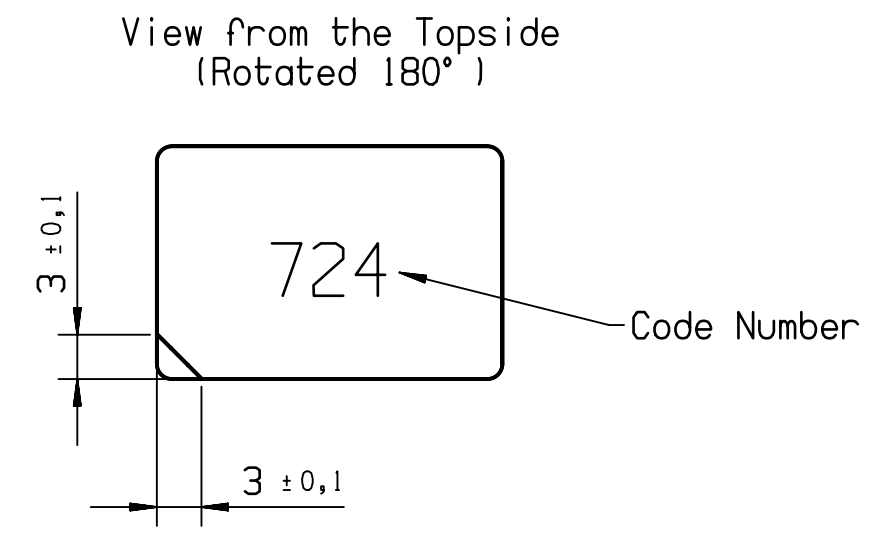
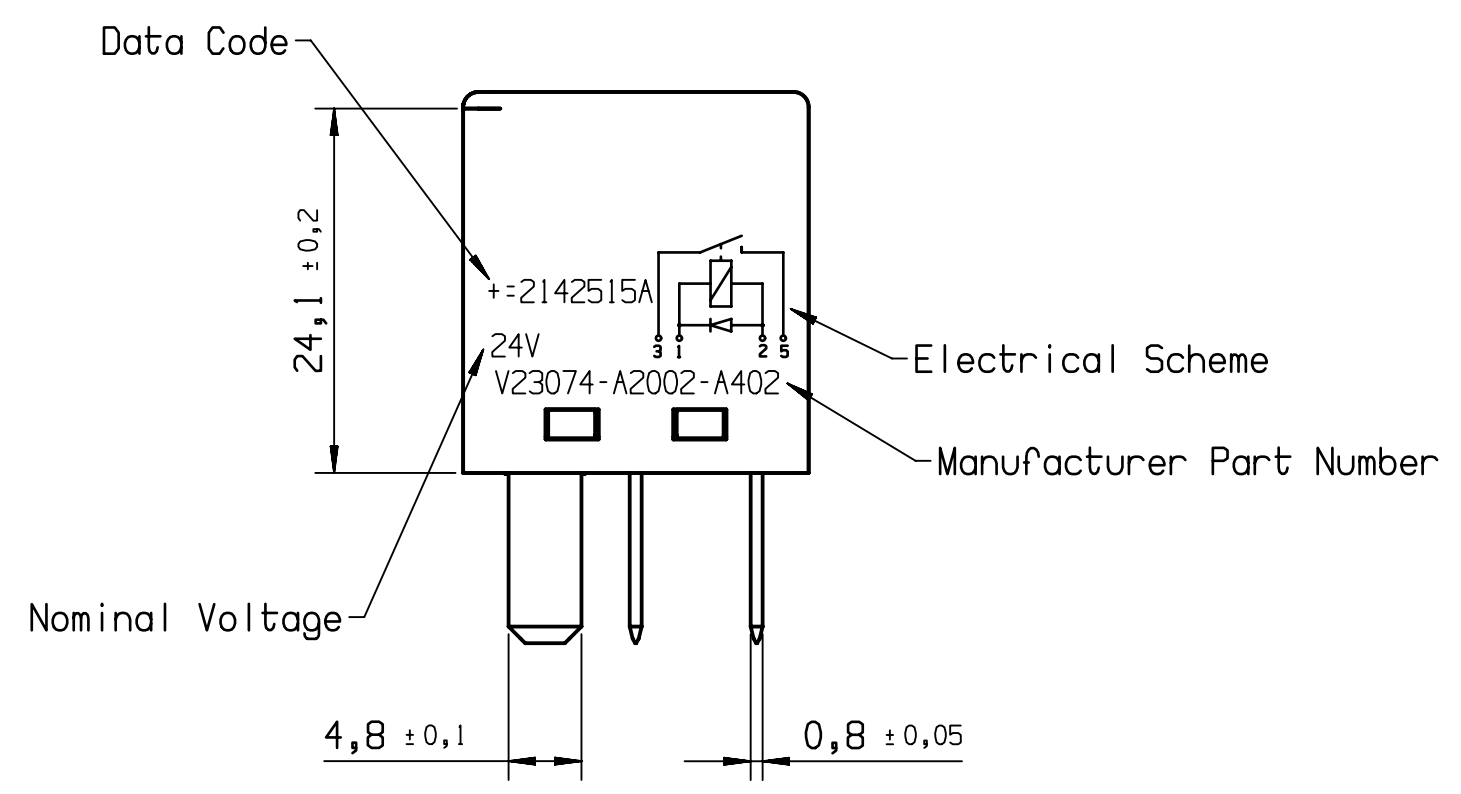
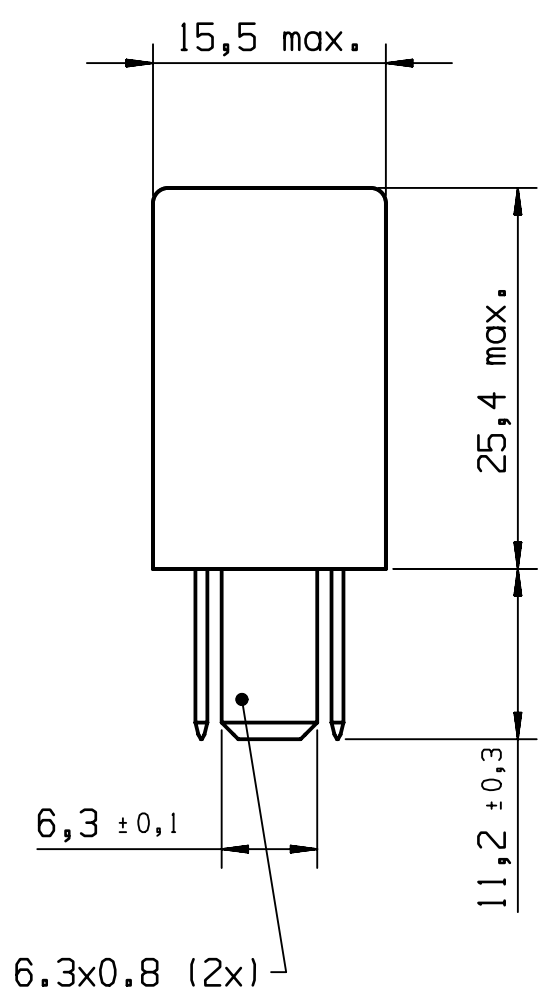
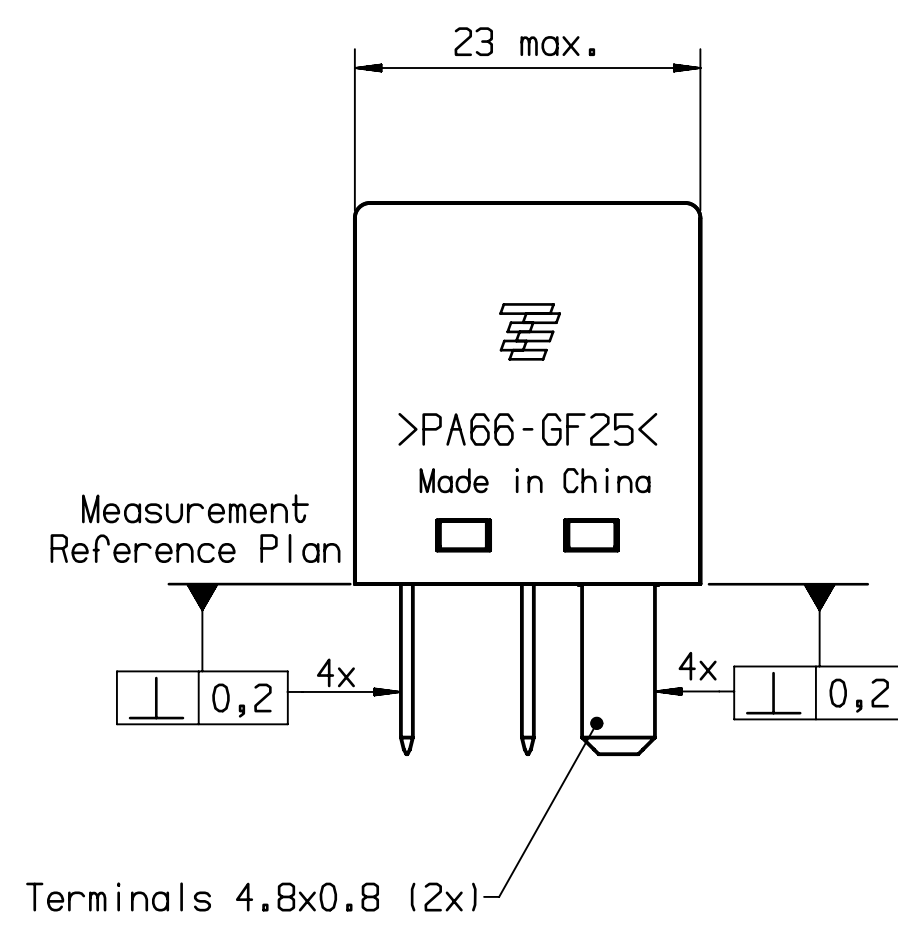
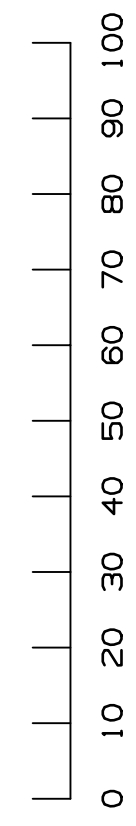


Positional Tolerance: $\varnothing 0,15$



MANUFACTURER PART NUMBER	PART NUMBER
V23074-A2002-A402-SZ-CBOX	6-1393292-2



PROPRIETARY THE REPRODUCTION, TRANSMISSION OR USE OF THIS DOCUMENT OR IT'S CONTENTS IS NOT PERMITTED WITHOUT EXPRESSED WRITTEN AUTHORITY. OFFENDERS WILL BE LIABLE FOR ALL DAMAGES. ALL RIGHTS, INCLUDING RIGHTS CREATED BY REGISTERED PATENT(S) GRANTED FOR A UTILITY MODEL OR DESIGN, ARE RESERVED.				CHANGES TO THIS DRAWING MUST BE DONE ONLY IN CAD	PAPER SIZE A2
APPLICABLE SPEC.:				FINISH	
TOLERANCE UNLESS SPECIFIED OTHERWISE Tol. ISO 8015 ISO 2768 - v1				DIMENSIONS APPLY	PLATING
DIMENSIONS IN MM				SCALE 2:1; 5:1	WEIGHT 18g
MATERIAL				PART NAME	
DATE 03FEB2021				Dimension Drawing Micro A	
NAME HFrancisco				DWG NO. V23074-A2002-A402	
LOCATION TE PE Evora				SHT. 1	
LOCATION TE PE Evora				OF 1	
REV. CHANGE ORDER DATE APP.				CLASS 1 CUSTOMER DRAWING	
A2 ECN-24-258373 27MAR2023 HMF					
A1 ECO-21-004021 26MAR2021 HMF					
A Initial Version 03FEB2021 HMF					