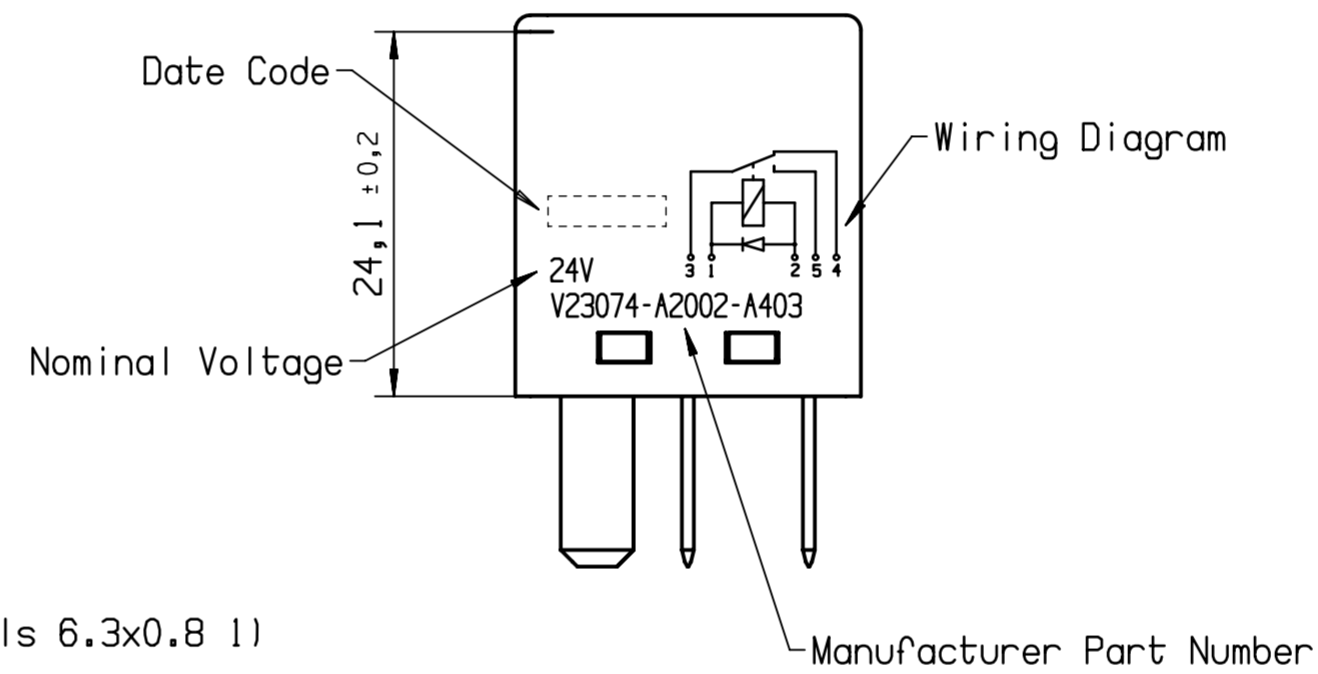
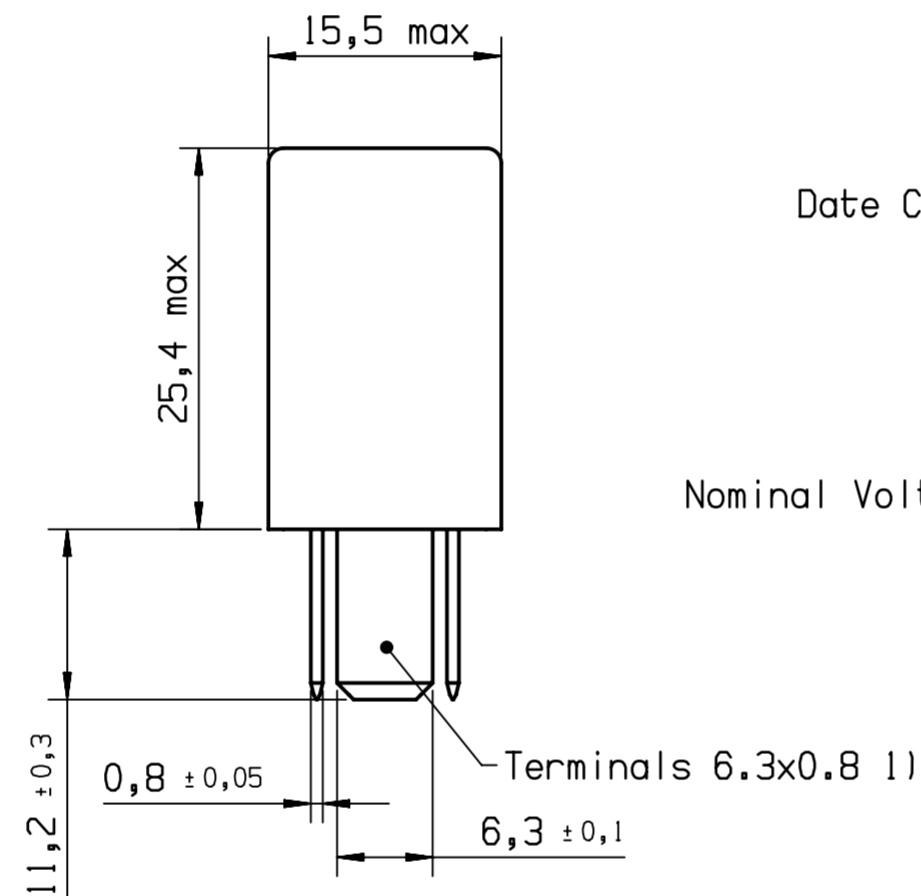
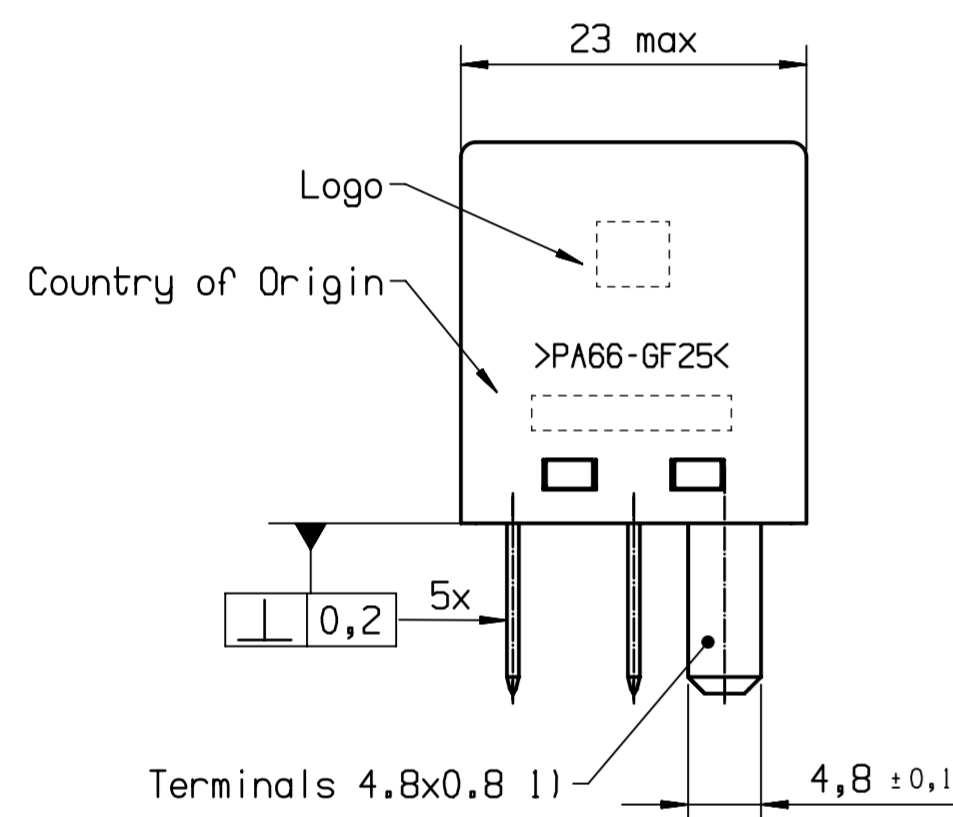
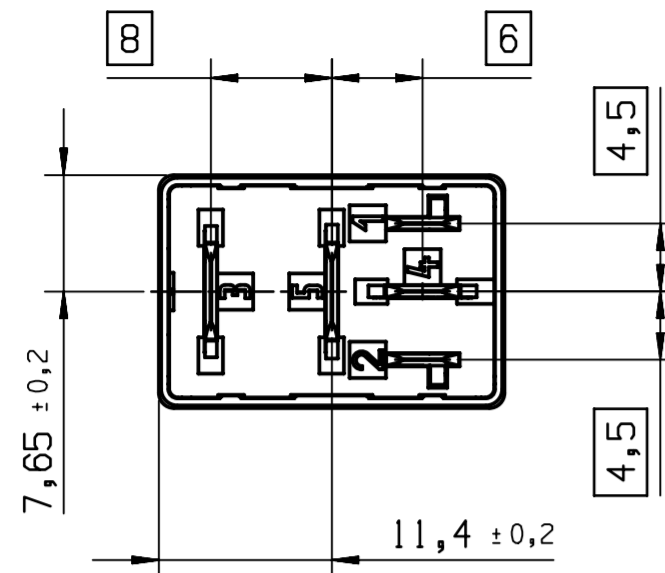


Positional Tolerance: $\pm 0,15$

Terminal Layout
Bottom View



Electrical Characteristics:
 Coil Resistance : 430 Ohm
 Nominal Voltage : 24V
 Pull-in Voltage : 14,4V *)
 Dropout Voltage : 3,4V *)
 Temperature Range : -40° to +125° C

*) Coil at ambient Temperature

Terminal Shape (1,2,4) with 4.8x0.8
 Terminal Shape (3,5) with 6.3x0.8

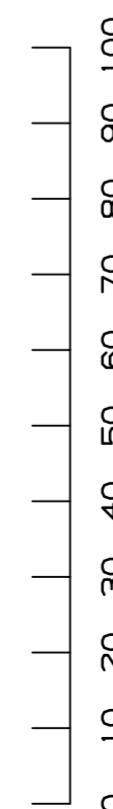
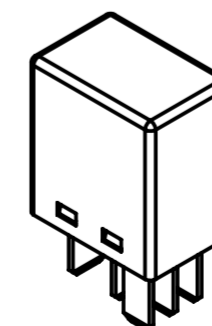
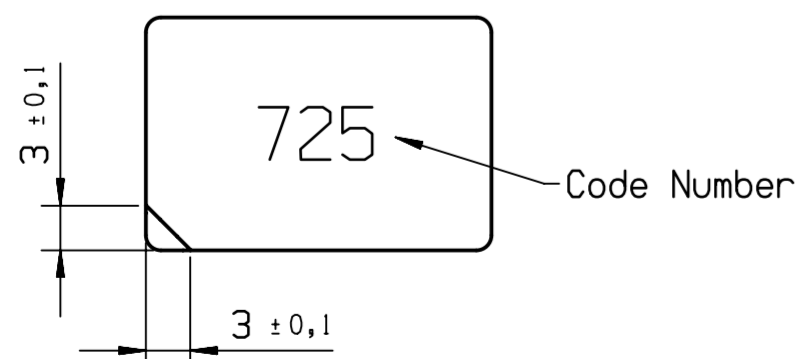
1) Tray package of 500 pcs = 100 pcs x 5 trays

	Material	Finish	Color
Cover	PA66-GF25		Black
Base	PA66-GF25		Black
Terminal 1, 2	CuSn	Sn 2..4 μm	
Terminal 3, 4, 5	ECu57	Sn 2..4 μm	

CUT EDGES WITHOUT TIN PLATING ALLOWED

Relay Reference	Part Number	Notes
V23074-A2002-A403	6-1393292-3	EV-CBOX
V23074-A2002-A403	2354263-1	SZ-CBOX
V23074-A2002-A403	3-1904124-8	EV-TRAY; 1)
V23074-A2002-A403	2337037-2	SZ-TRAY; 1)

View from the Topside
(Rotated 180°)



PROPRIETARY THE REPRODUCTION, TRANSMISSION OR USE OF THIS DOCUMENT OR IT'S CONTENTS IS NOT PERMITTED WITHOUT EXPRESSED WRITTEN AUTHORITY. OFFENDERS WILL BE LIABLE FOR ALL DAMAGES. ALL RIGHTS, INCLUDING RIGHTS CREATED BY REGISTERED PATENT(S) GRANTED FOR A UTILITY MODEL OR DESIGN, ARE RESERVED.		CHANGES TO THIS DRAWING MUST BE DONE ONLY IN CAD	PAPER SIZE A2
APPLICABLE SPEC.:		FINISH	
DIMENSIONS UNLESS SPECIFIED OTHERWISE		DIMENSIONS APPLY	PLATING
DIMENSIONS IN MM		SCALE 2:1; 5:1	WEIGHT
DATE NAME DWN. 18MAR2014 HFranc.		MATERIAL ---	
APP. REV.		PART NAME MICRO A RELAY 24V - DIODE	
LOCATION PE Evora		DWG NO. V23074-A2002-A403	
A4 ECO-24-258373 27MAR2024 HMF		SHT. 1 OF 1	
A3 ECO-21-004021 26MAR2021 HMF		CUSTOMER DRAWING	
A2 ECO-20-008696 22JUN2020 HMF		CLASS I	
A1 ECO-16-004230 18MAR2016 HMF		REV. CHANGE ORDER DATE APP.	
A INITIAL DRAWING 11AUG2014 HMF		DATE APP.	