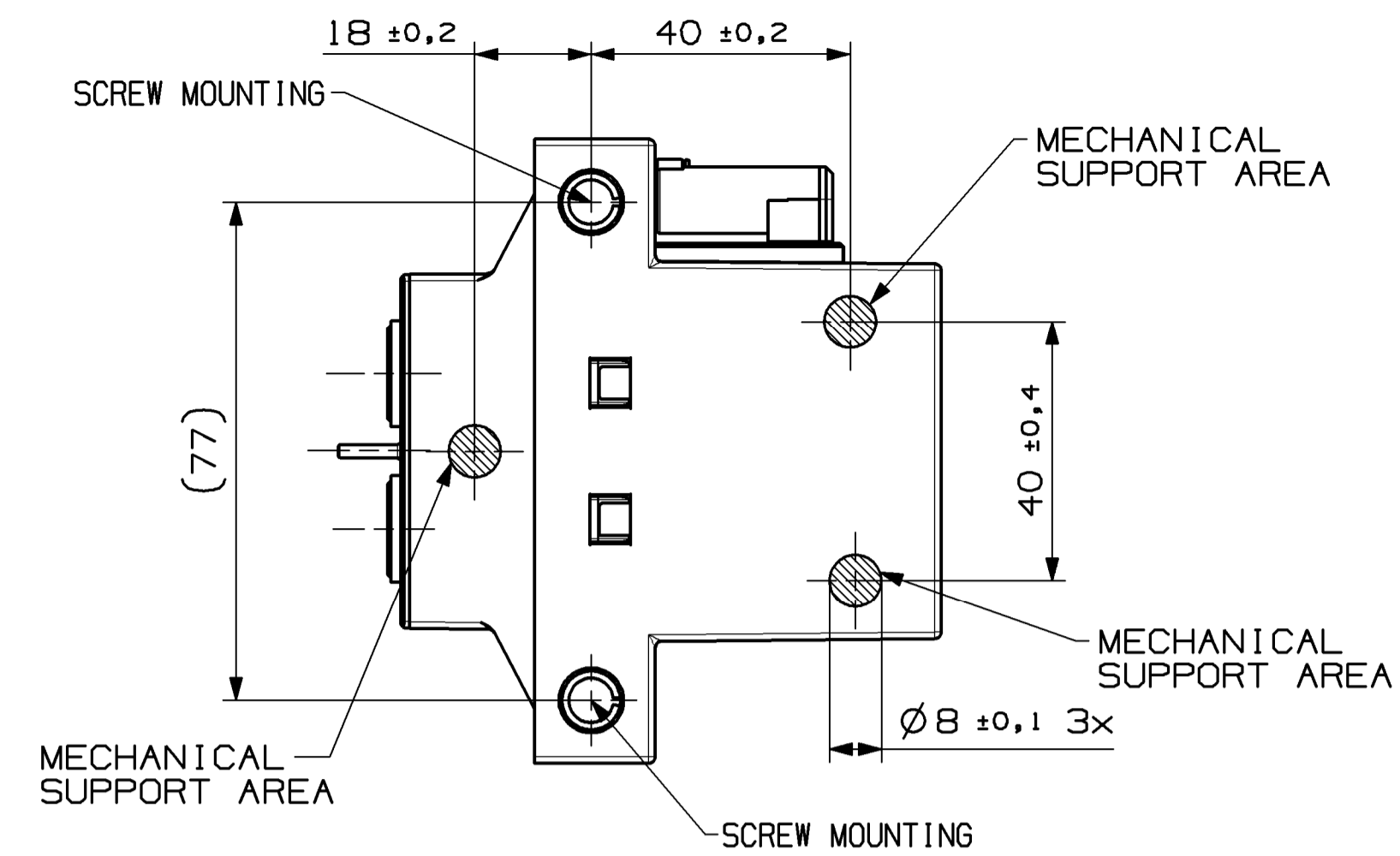
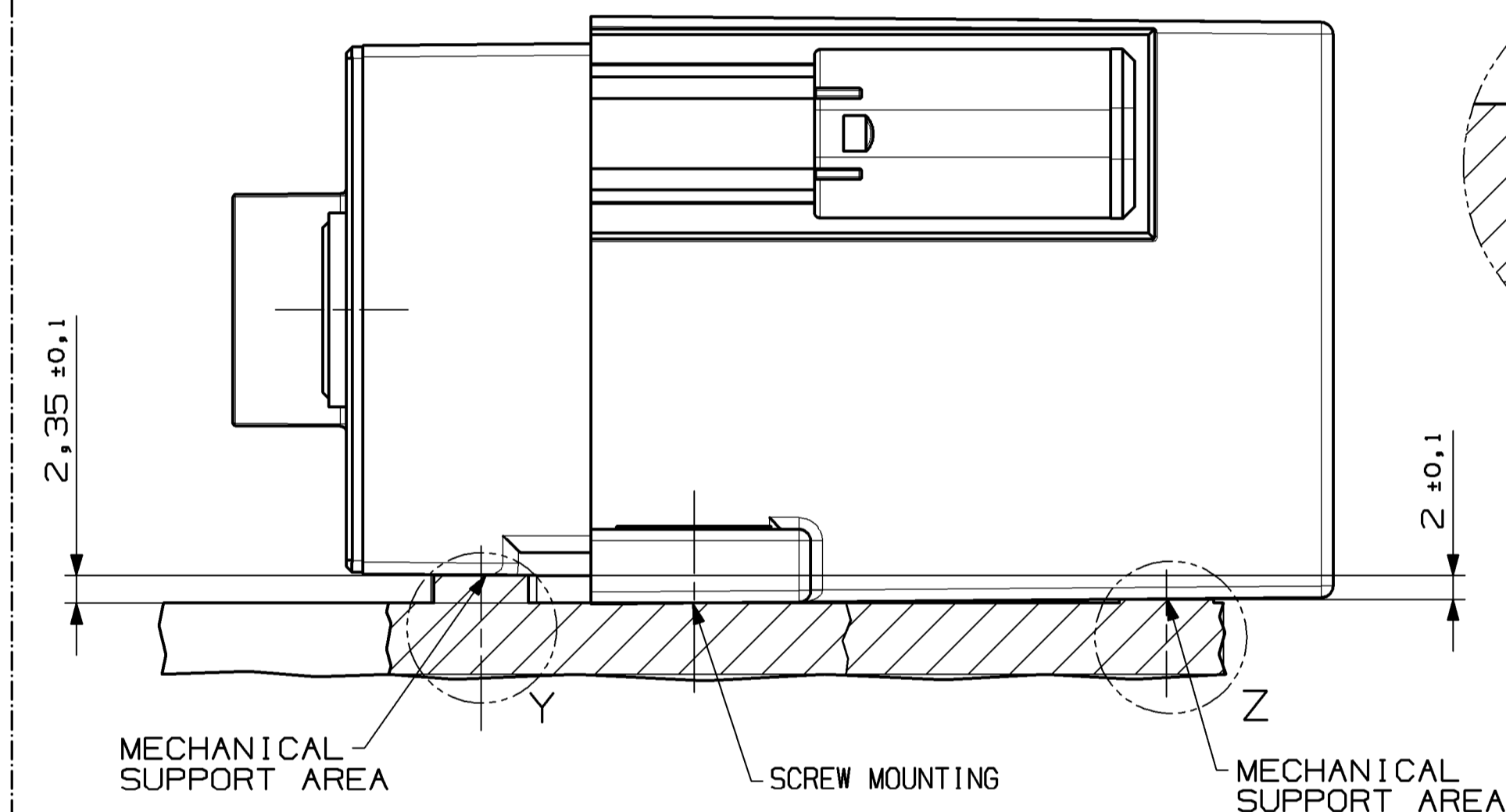


MOUNTING CONDITIONS

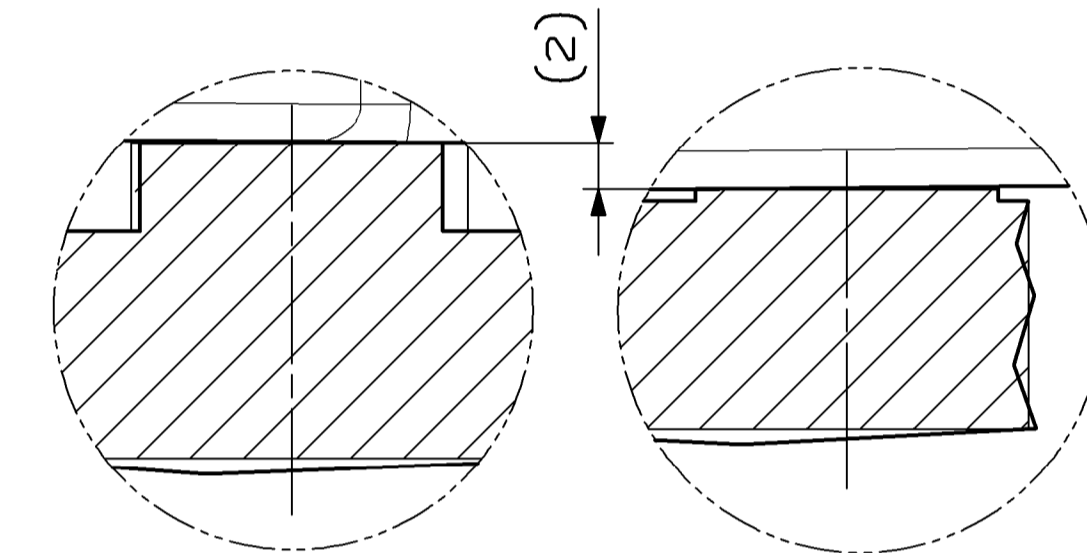


SCALE 2:1



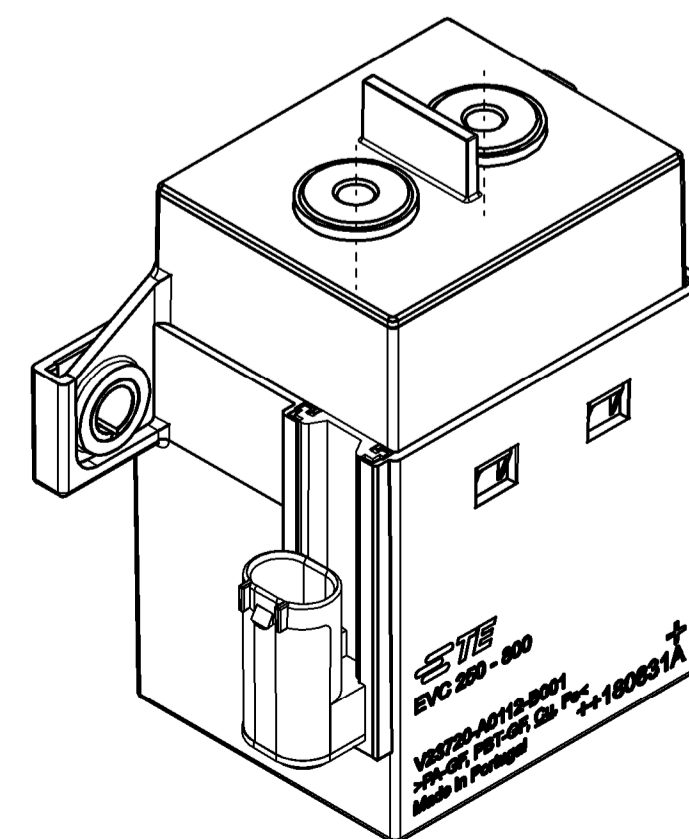
DETAIL Y SCALE 5:1

DETAIL Z SCALE 5:1



Notice :

- 1) PERMITTED TONQUE 6 Nm MAX. WHEN MIN 4 TURNS
- 2) SOCKET HOUSING
TE INTERFACE 2 POS. MQS CODE A,
APPROPRIATE FOR SOCKET HOUSING 2 POS. MQS,
TE PART NO. 1-967644-1
PRESCRIBED WIRE CROSS SECTION = 0,35mm² MIN
- 3) HEXAGON SOCKET BOTTOM HEAD SCREW EN ISO 7380 M6 WITH WASHER ISO 7090/ 7089



PART ALIAS		TCPN		REV	
V23720-A0112-B001		2-2317670-1		C	
<small>THE REPRODUCTION, TRANSMISSION OR USE OF THIS DOCUMENT OR IT'S CONTENTS IS NOT PERMITTED WITHOUT EXPRESSED WRITTEN AUTHORITY. OFFENDERS WILL BE LIABLE FOR ALL DAMAGES. ALL RIGHTS, INCLUDING RIGHTS CREATED BY REGISTERED PATENT(S) GRANTED FOR A UTILITY MODEL OR DESIGN, ARE RESERVED.</small>				<small>CHANGES TO THIS DRAWING MUST BE DONE ONLY IN CAD</small>	
APPLICABLE SPEC.:				FINISH:	
TOLERANCE UNLESS SPECIFIED OTHERWISE				DIMENSIONS IN MM	
SCALE 1:1				WEIGHT 600g	
MATERIAL				---	
DATE				PART NAME	
EVC 250-800				EVC 250-800 24V RELAY	
---				CUSTOMER DRAWING	
---				DWG NO. V23720-A0112-B001-CD	
---				SHT. 1	
---				OF 1	