

© 2023 TE Connectivity. All Rights Reserved.

PARAMETER	SPECIFICATION									
Antenna Model	VFD69383B2NNN-518R / VFD69383W2NNN-518R									
Number of Ports	2									
Port Configuration	2x- 3G/4G/ISM/CBRS (LTE/CELL)									
Frequency Bands, MHz	698- 806	824- 894	880- 960	1690-1880	1850- 1990	1910- 2180	2300-2500	2500-2700	3300-3800	
Peak Gain(*), Avg. dBi	0.2	1.0	1.5	3.6	3.5	2.9	3.2	4.0	5.1	
Peak Gain(*), Max. dBi	1.8	1.8	2.1	4.9	3.9	3.9	3.9	4.7	7.2	
VSWR(**), Avg	1.7	1.8	1.8	1.4	1.4	1.4	1.6	1.4	1.3	
VSWR(**), Max	2.5	2.2383145	2.2644502	2	2	2.1	2	2	2	
Isolation LTE to GNSS (dB)	-10	-12	-14	-18	-17	-17	-21	-19	-27	
Azimuth 3 dB Beamwidth	360°, Omnidirectional									
Nominal Impedance (Ohms)	50									
Polarization	Linear Vertical									
Max Power/port- Ambient 25°C(W)	30 (LTE/CELL)									

REVISIONS				
REV	DESCRIPTION	DATE	DWN	APVD
F01	INITIAL RELEASE	09/15/2020	LCT	TER
F02	CHANGE DESIGN & UPDATE SPECIFICATION	09/15/2020	LCT	TER
AA	ADD "IPx9K"	10/12/2023	IZZ	WTN

Notes:

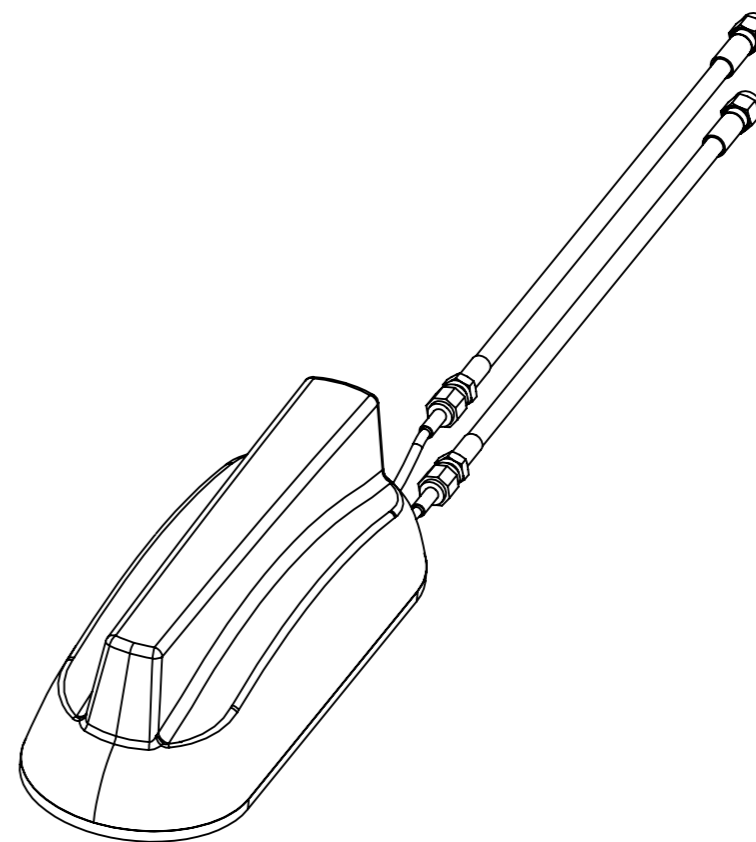
- (*) This parameters is based on 1ft cable length & 1ft ground plane.
- (**) This parameters is based on 17ft cable length & 1ft ground plane.
- Antenna specification is subjected to change according to the ground plane size.

MECHANICAL SPECIFICATIONS

Dimensions- L x W x H, mm (inches)	179 x 63 x 48 mm (7.04 x 2.48 x 1.69)
Weight, kg (lbs)	0.65 kg (1.4 lbs)
Mounting	P- Mount
Cable Type	LMR 100- pigtails, LMR 195- jumper cables
Color	Black or White
Radome Material	PC, UL94-V0
Baseplate Material	Aluminum

ENVIRONMENTAL SPECIFICATIONS

Operating Engvironment	Outdoor Vehicle
Operating Temperature, °C (°F)	-30 to +70 (-22 to +158)
Storage Temperature	-40 to +85 (-40 to +185)
Ingress Protection	IP67 & IP69K
Rail Compliance Standards	EN61373 (Shock & Vibration), EN50155 (Temperature)
Material Substance Compliance	RoHS Compliant



THIS DRAWING IS A CONTROLLED DOCUMENT.

DIMENSIONS:

mm



TOLERANCES UNLESS OTHERWISE SPECIFIED:

0 PLC	0.5
1 PLC	0.25
2 PLC	0.13
3 PLC	-
4 PLC	-
ANGLES	30

MATERIAL

-

-

FINISH

-

-

DWN LC TAN 19AUG20

CHK TH LEE 19AUG20

APVD WT NG 19AUG20

PRODUCT SPEC

APPLICATION SPEC

WEIGHT -

CUSTOMER DRAWING

TE TE Connectivity

VFD69383xNNN-518R
MOUNTING & OUTLINE

NAME SIZE CAGE CODE DRAWING NO RESTRICTED TO

A300779 C-VFD69383x2NNN

SCALE 1:2 SHEET 1 OF 2 REV AA

4

3

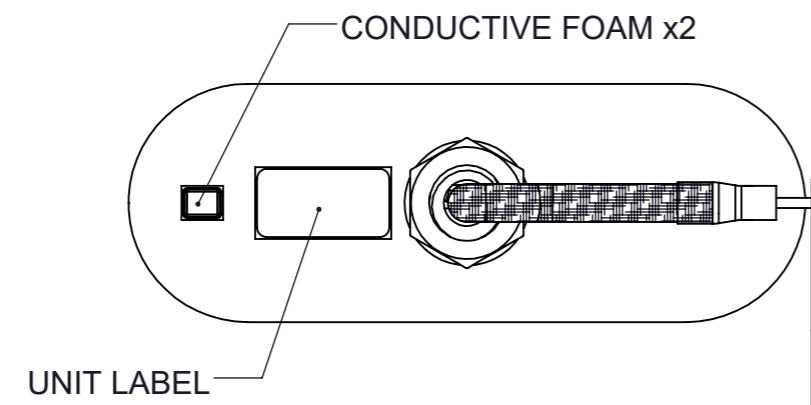
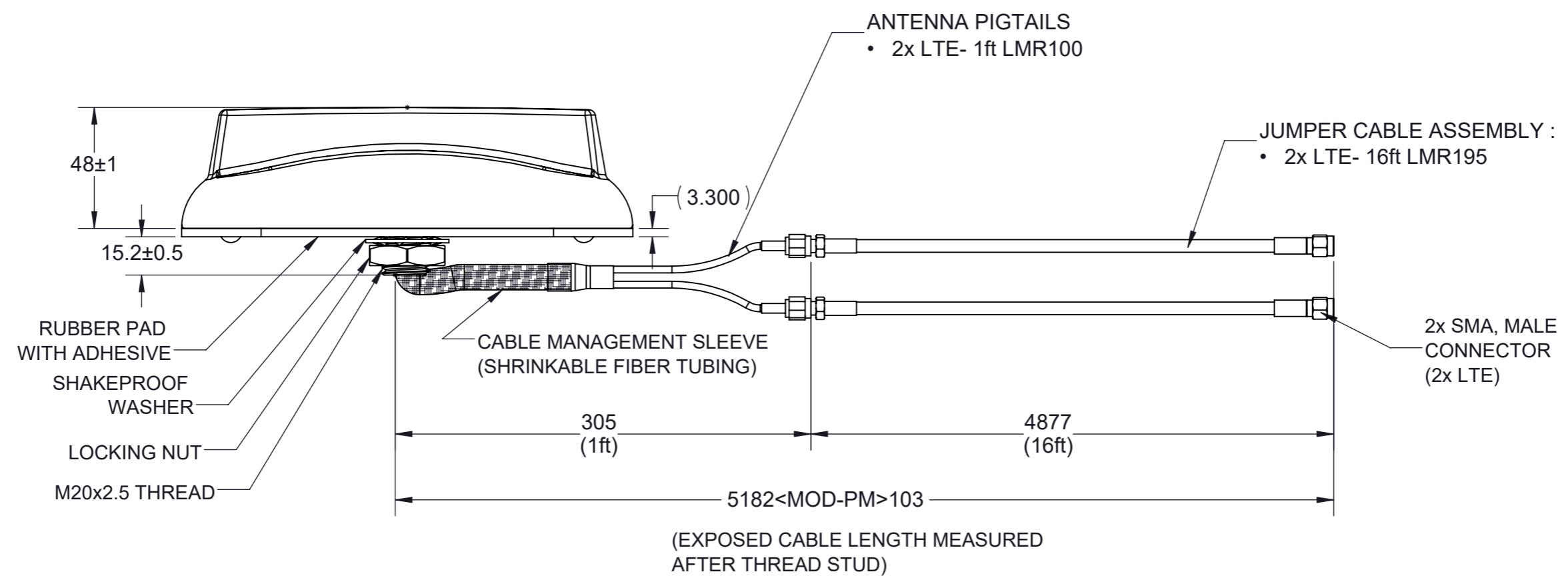
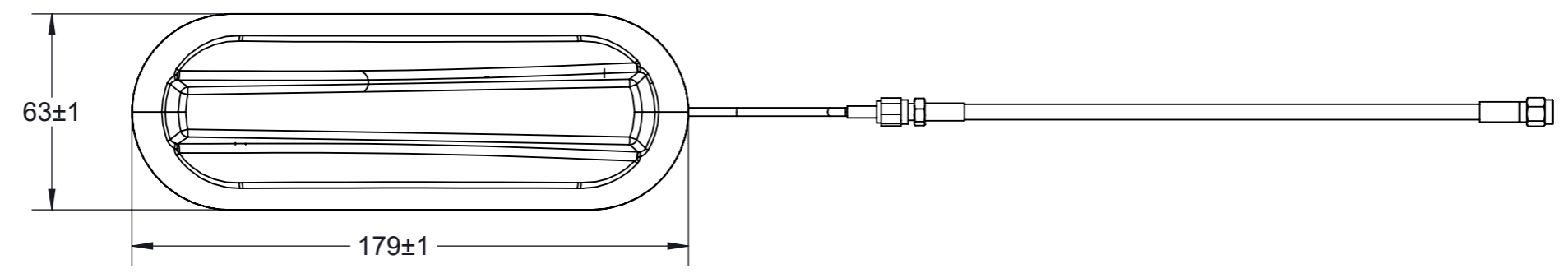
2

1

© 2023 TE Connectivity. All Rights Reserved.

REVISIONS

REV	DESCRIPTION	DATE	DWN	APVD
-	See Sheet1	-	See Sheet1	-



THIS DRAWING IS A CONTROLLED DOCUMENT.

DIMENSIONS:		TOLERANCES UNLESS OTHERWISE SPECIFIED:	
mm		0 PLC	0.5
		1 PLC	0.25
		2 PLC	0.13
		3 PLC	-
		4 PLC	-
		ANGLES	30
MATERIAL		FINISH	
-		-	
-		-	

DWN	LC TAN	19AUG20
CHK	TH LEE	19AUG20
APVD	WT NG	19AUG20
PRODUCT SPEC		
APPLICATION SPEC		
WEIGHT	-	
CUSTOMER DRAWING		



VFD69383xNNN-518R
MOUNTING & OUTLINE

SIZE	CAGE CODE	DRAWING NO	RESTRICTED TO
A3	00779	C-VFD69383x2NNN	
SCALE 1:2		SHEET 2 OF 2	REV AA