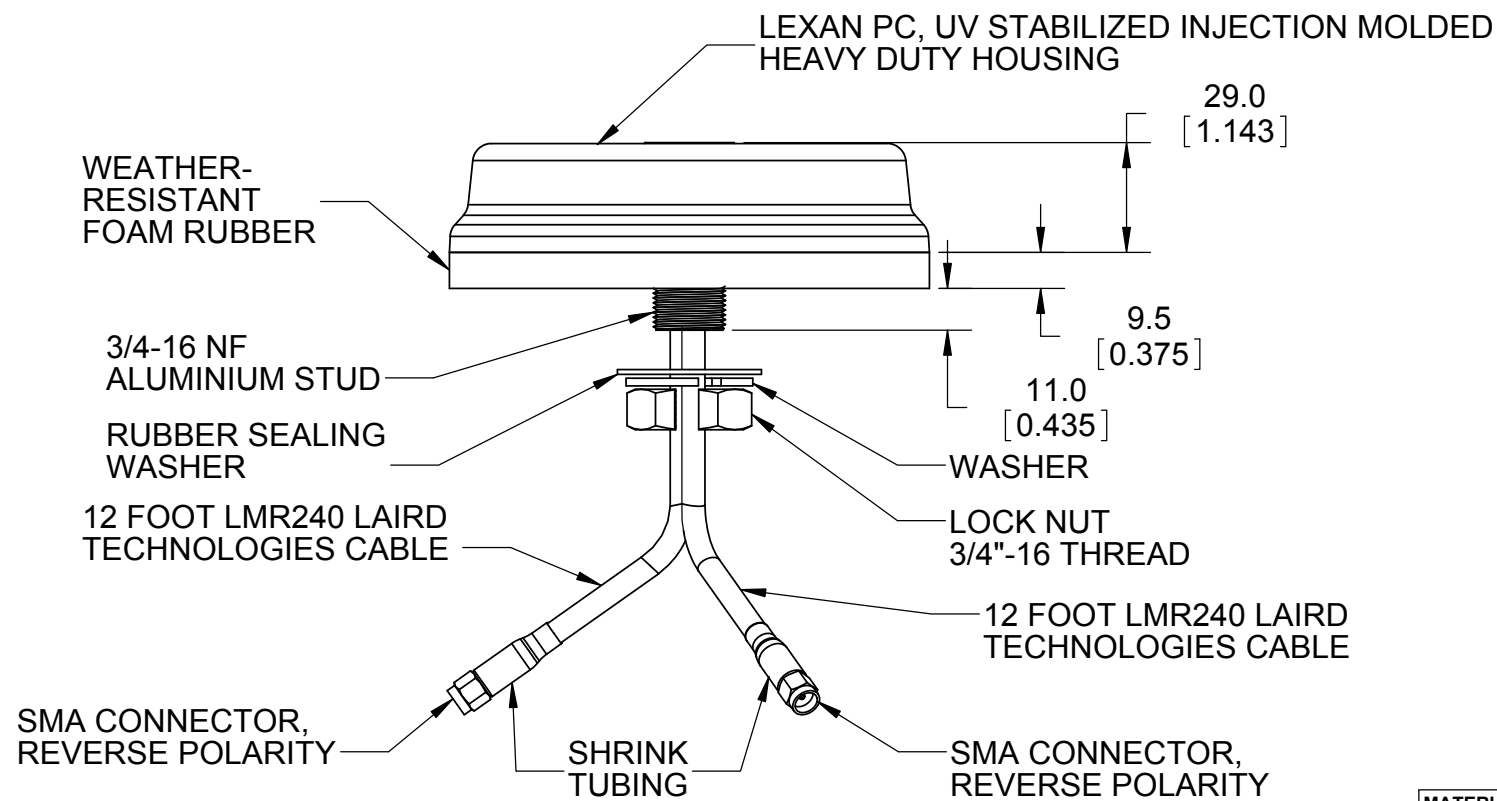
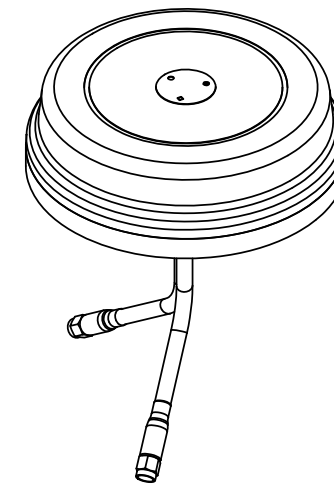
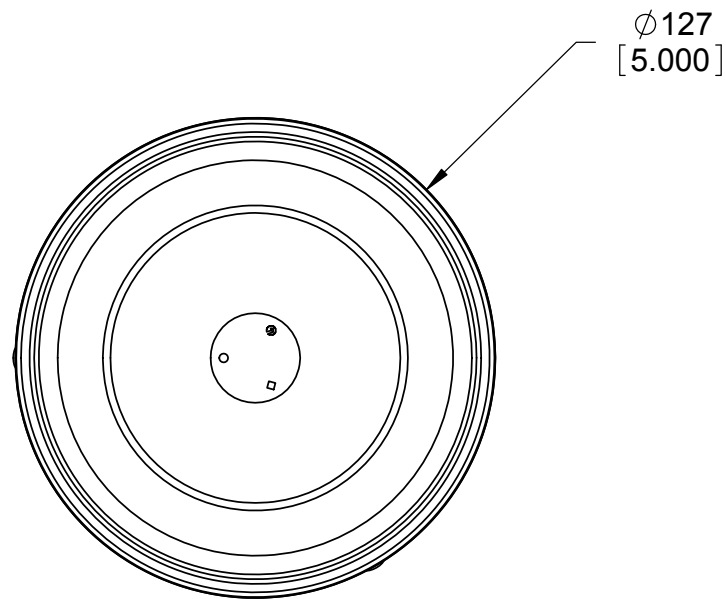

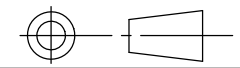


THIS DRAWING IS UNPUBLISHED.	RELEASED FOR PUBLICATION	- . - .
© Copyright 2022 TE Connectivity Ltd.	ALL RIGHTS RESERVED.	

REVISIONS					
REV.	ECR#	ZONE	DESCRIPTION	CHANGED BY/DATE	APPROVED BY/DATE
F01	ECN-IAS-03612		OFFICIAL RELEASE	WT NG 30JAN15	HANG 30JAN15



Parameter	Value
Model Number	VMD24493RSM-366
Frequency	2.4 - 2.5 GHz & 4.9 GHz - 5.875 GHz
Number of Port	2
Gain	3 dBi Peak
Polarization	Vertical
Pattern	Omni Directional
Nominal Impedance	50 Ω
VSWR	< 2:1
Power handling	50 W
Cable, Pigtail Length	LMR240, 12 ft (3.65 meters)
Connector	2X SMA Crimp Type, Reverse Polarity
Weight	Approximately 0.50 kg
Radome	PC, Black, UL-94 V0
Operating Temperature	-35° to +80° C

<b>MATERIAL:</b>		THIRD ANGLE PROJECTION			
<b>FINISH:</b>					
APPROVALS		DATE		TITLE:	
DRAWN BY	WT NG	21OCT11		<b>VMD24493RSM-366</b>	
ELEC. ENG.	TY NG	30JAN15			
MECH. ENG.	WT NG	30JAN15			
MFG./OPS.	CH FONG	30JAN15			
INTERPRET DIMENSIONING AND TOLERANCING IN ACCORDANCE WITH ASME Y14.5M-2009 <b>TOLERANCES UNLESS OTHERWISE SPECIFIED</b> DIMENSIONS ARE IN MILLIMETERS				SIZE: <b>A3</b> DWG. NO. <b>VMD24493RSM-366MO</b> REV <b>F01</b>	
ANGLE: ±30' 0 PLACE DECIMAL: ±0.5 1 PLACE DECIMAL: ±0.25 2 PLACE DECIMAL: ±0.13 SURFACE ROUGHNESS 1.6/√				SCALE: 1:2 PREVIOUS# SHEET 1 OF 1	