

6

5

4

3

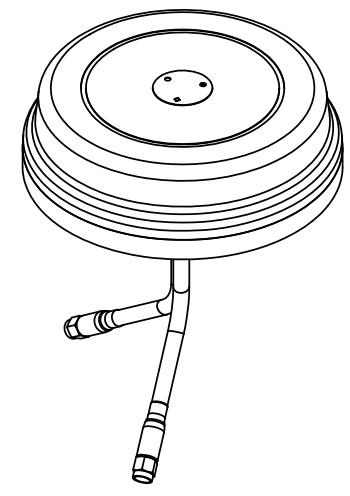
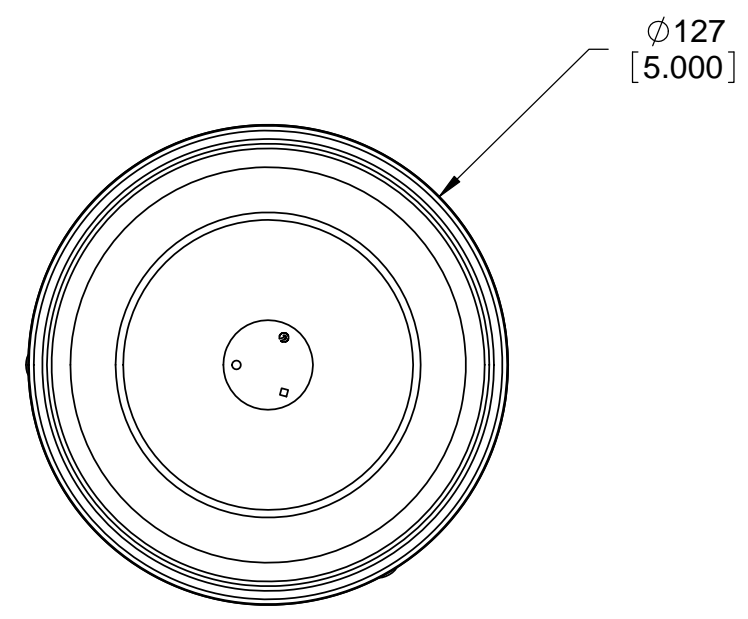
2

1

REVISIONS					
REV.	ECR#	ZONE	DESCRIPTION	CHANGED BY/DATE	APPROVED BY/DATE
F01	ECN-IAS-03612		OFFICIAL RELEASE	WT NG 30JAN15	HANG 30JAN15

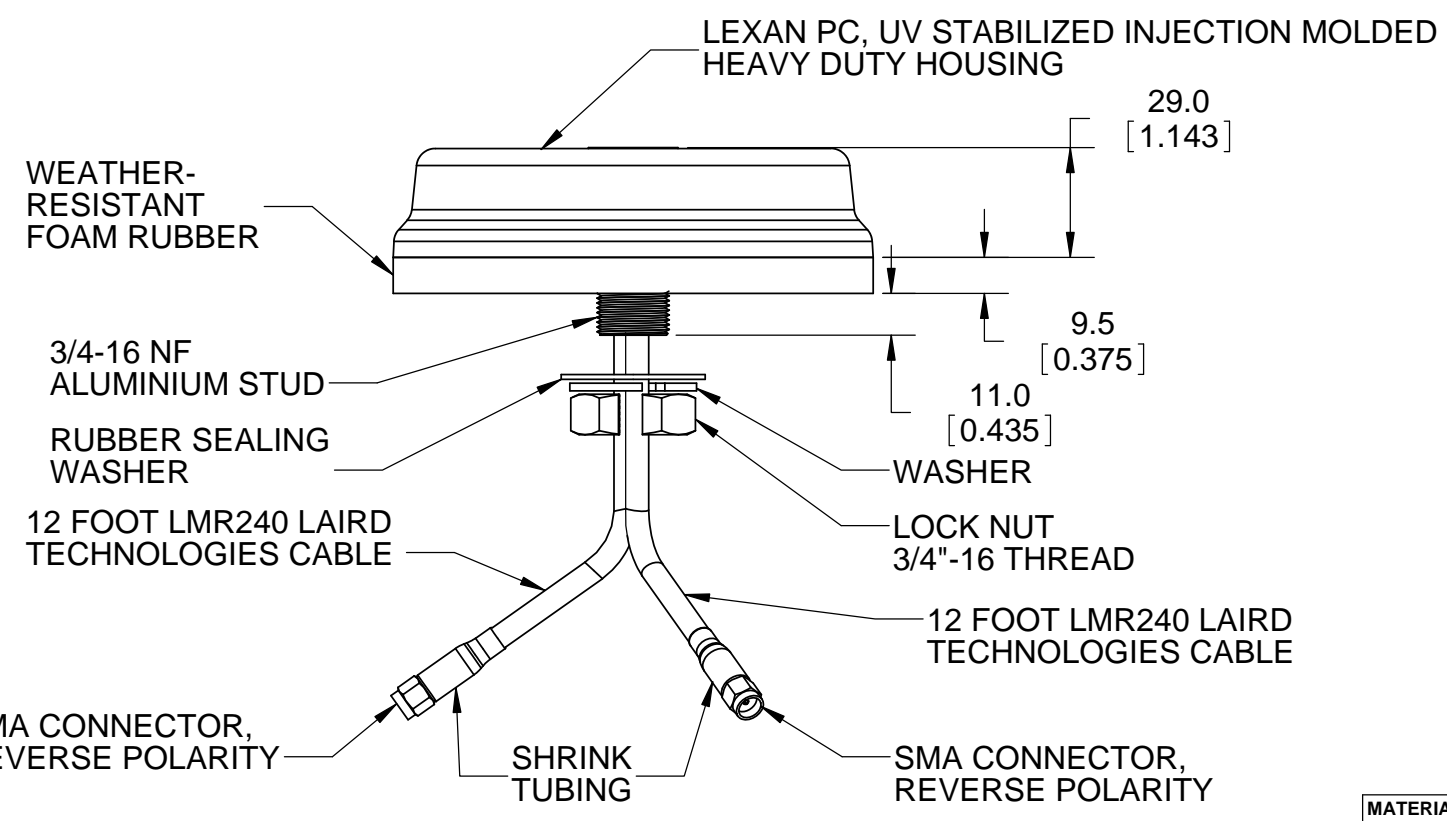
D

D



C

C




Parameter	Value
Model Number	VMD24493RSM-366
Frequency	2.4 - 2.5 GHz & 4.9 GHz - 5.875 GHz
Number of Port	2
Gain	3 dBi Peak
Polarization	Vertical
Pattern	Omni Directional
Nominal Impedance	50 Ω
VSWR	< 2:1
Power handling	50 W
Cable, Pigtail Length	LMR240, 12 ft (3.65 meters)
Connector	2X SMA Crimp Type, Reverse Polarity
Weight	Approximately 0.50 kg
Radome	PC, Black, UL-94 V0
Operating Temperature	-35° to +80° C

B

B

A

A

MATERIAL:		THIRD ANGLE PROJECTION		 IAS, PENANG MALAYSIA	
FINISH:		DO NOT SCALE DRAWING			
APPROVALS		DATE		TITLE: MOUNTING & OUTLINE VMD24493RSM-366	
DRAWN BY	WT NG	21OCT11			
ELEC. ENG.	TY NG	30JAN15			
MECH. ENG.	WT NG	30JAN15			
MFG./OPS.	CH FONG	30JAN15		DIMENSIONS ARE IN MILLIMETERS ANGLE: ±30' 0 PLACE DECIMAL: ±0.5 1 PLACE DECIMAL: ±0.25 2 PLACE DECIMAL: ±0.13 SURFACE ROUGHNESS 1.6/√	
		SIZE	DWG. NO.		REV
		A3	VMD24493RSM-366MO		F01
		SCALE: 1:2	PREVIOUS#		SHEET 1 OF 1

UNLESS OTHERWISE NOTED, THIS DOCUMENT CONTAINS LAIRD TECHNOLOGIES CONFIDENTIAL INFORMATION. REPRODUCTION, USE, DISCLOSURE OR TRANSMITTAL OF ALL OR ANY PART OF THIS DOCUMENT IS PROHIBITED EXCEPT TO THE EXTENT APPROVED IN WRITING BY AN AUTHORIZED REPRESENTATIVE OF LAIRD TECHNOLOGIES. LAIRD TECHNOLOGIES RESERVES ALL RIGHTS UNDER PATENTS, TRADEMARKS, COPYRIGHTS AND TRADE SECRETS. COPYRIGHT, LAIRD TECHNOLOGIES 2014, ALL RIGHTS RESERVED.

6

5

4

3

2

1