

THIS DRAWING IS UNPUBLISHED.

RELEASED FOR PUBLICATION

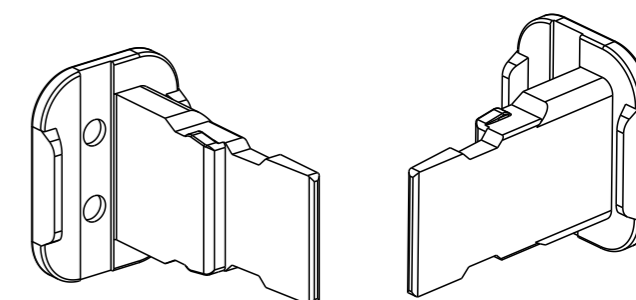
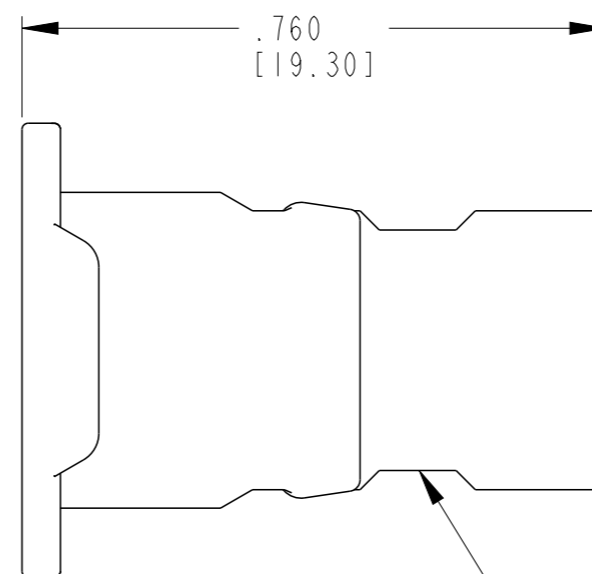
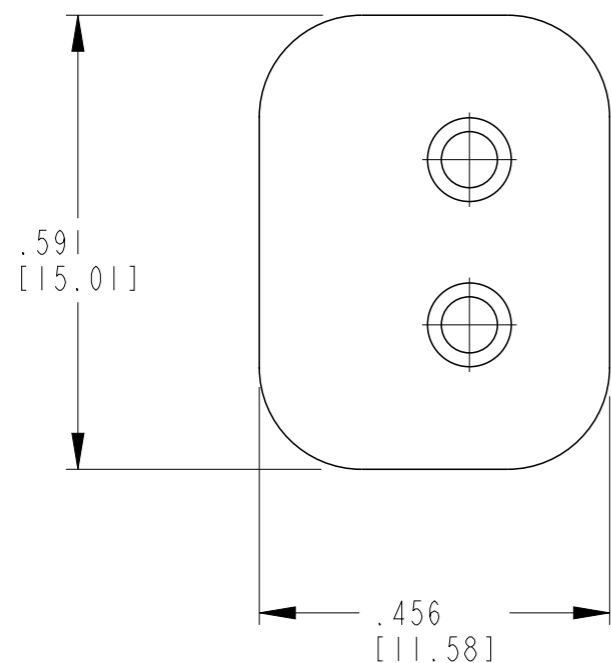
2019

© COPYRIGHT 2019 BY -

ALL RIGHTS RESERVED.

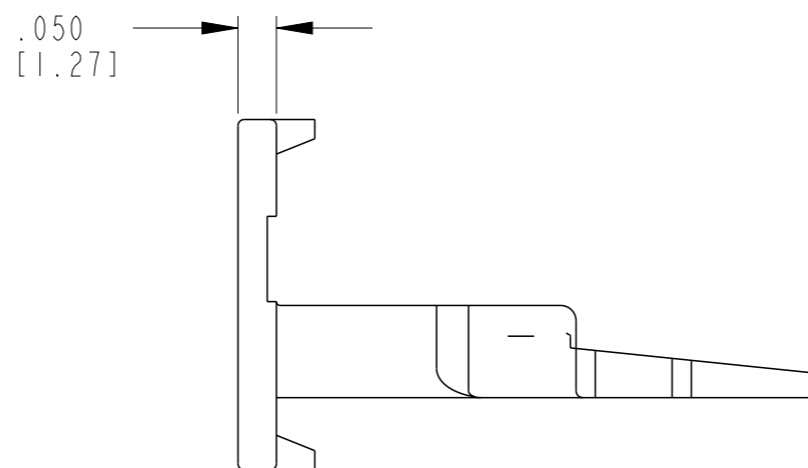
REVISIONS

P	LTR	DESCRIPTION	DATE	DWN	APVD
	A	INITIAL RELEASE	25MAR2019	DD	DM



3D VIEW

CUTOUT FEATURES OPTIONAL

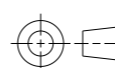


LIST OF VARIANTS		
PART NUMBER	COLOR	RAL NUMBER
W2S-P070-R	CARMINE RED	3002
W2S-P070-U	SIGNAL BLUE	5005
W2S-P070-Y	BRIGHT RED ORANGE	2008

TCPN	ALIAS PART NUMBER
W2S-P070-R	W2S-P070-R
W2S-P070-Y	W2S-P070-Y
W2S-P070-U	W2S-P070-U

THIS DRAWING IS A CONTROLLED DOCUMENT.

DIMENSIONS:  
in [mm]



TOLERANCES UNLESS OTHERWISE SPECIFIED:

0 PLC	±
1 PLC	±
2 PLC	±
3 PLC	±.025 [.63]
4 PLC	±
ANGLES	±0°30'0"

MATERIAL  
PBT GF30

FINISH

DWN  
D. DAVIS 3/25/19

CHK  
R. MESSENGER 3/25/19

APVD  
D. MEYER 3/25/19

PRODUCT SPEC  
108-151009

APPLICATION SPEC  
114-151009

WEIGHT  
0.83 GR

CUSTOMER DRAWING



NAME  
WEDGELOCKS, COLOR CODED  
DT 2 WAY PLUGS

SIZE	CAGE CODE	DRAWING NO	RESTRICTED TO
A3	00779	W2S-P070-X	-

SCALE	SHEET	OF	REV
4:1	1	1	A

1. USED WITH DT06-2S-XXXX (XXXX = ALL MODIFICATIONS)  
CONSULT FACTORY FOR MODIFICATIONS AND APPLICATION.

NOTES: