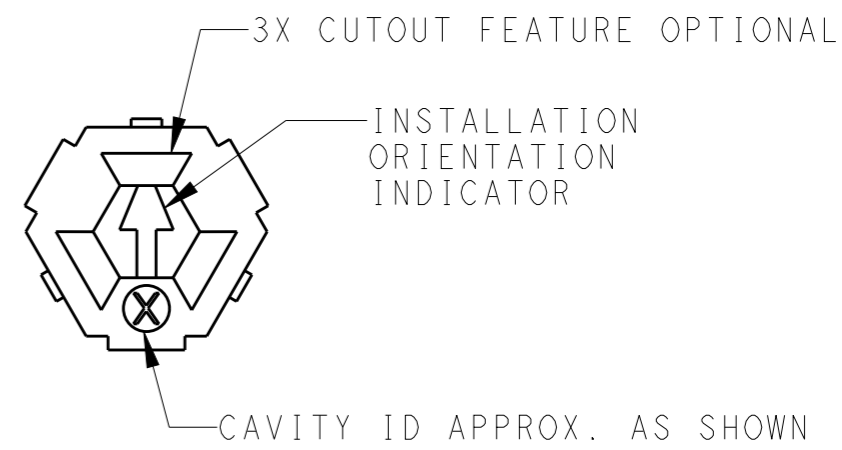
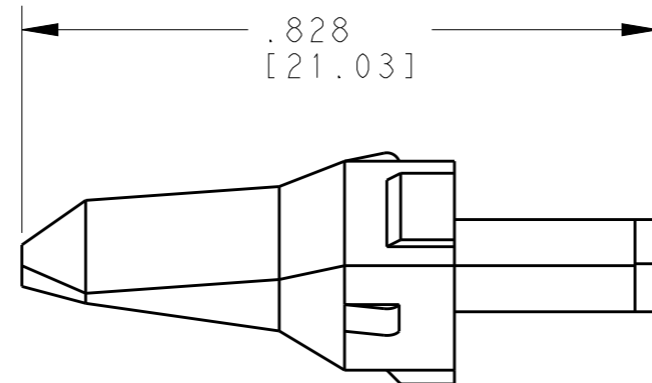
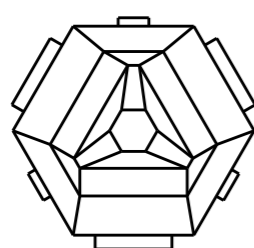
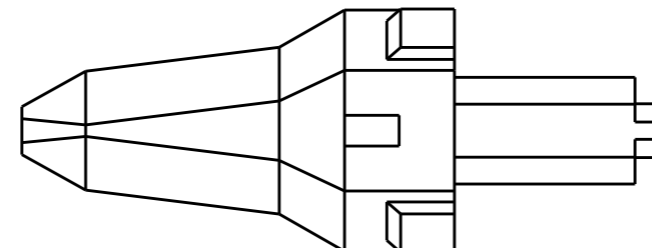
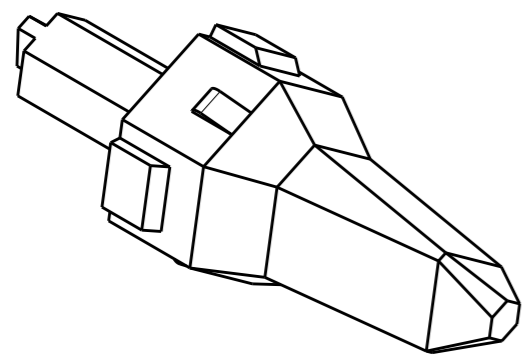


THIS DRAWING IS UNPUBLISHED RELEASED FOR PUBLICATION 2014

© COPYRIGHT 2014 BY -TE CONNECTIVITY ALL RIGHTS RESERVED.

LOC	DIST	REVISIONS					
		P	LTR	DESCRIPTION	DATE	DWN	APVD
-	-		NC	NEW RELEASE PER E.O PI5963	12MAR1999	-	RDR
			A	RELEASE PER E.O-15-000356	08JAN2015	PS	DM



1. USED WITH DT04-3P-****(****= ALL MODIFICATIONS)
 CONSULT FACTORY FOR MODIFICATION AND APPLICATION.

NOTES:

THIS DRAWING IS A CONTROLLED DOCUMENT.		DWN D. SPENCER 11MAR1999		
DIMENSIONS: INCHES [mm]		CHK S. THEIS 18MAR1999		
TOLERANCES UNLESS OTHERWISE SPECIFIED:		APVD S. THEIS 18MAR1999	NAME WEDGE LOCK 3 WAY RECEPTACLE DT SERIES	
0 PLC ±- 1 PLC ±- 2 PLC ±- 3 PLC ±0.020[0.51] 4 PLC ±- ANGLES ±0°30'0"		PRODUCT SPEC -	RESTRICTED TO -	
MATERIAL PBT30%GF GREEN		FINISH -	APPLICATION SPEC -	SIZE A3
		WEIGHT 0.53g	CAGE CODE 4AFU8	DRAWING NO W3P-P004
		CUSTOMER DRAWING	SCALE 4:1	SHEET 1 OF 1
				REV A