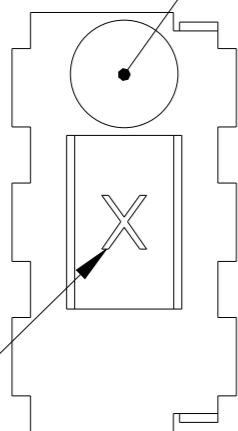
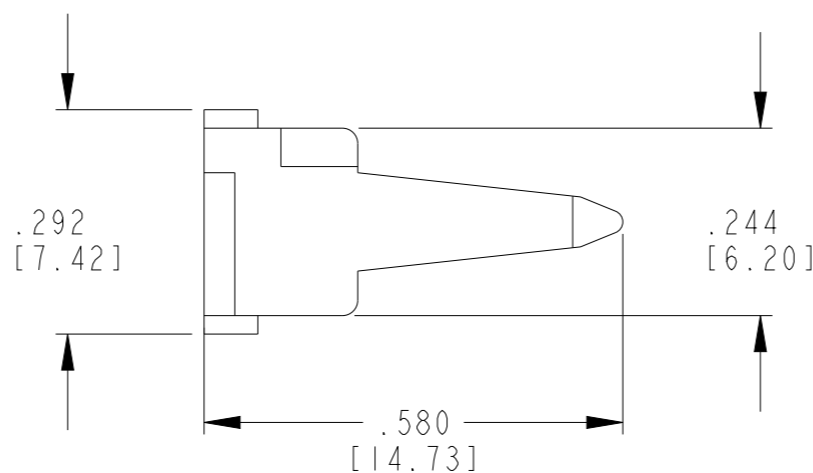
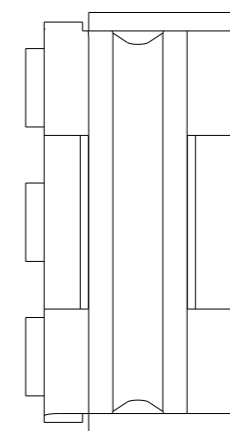
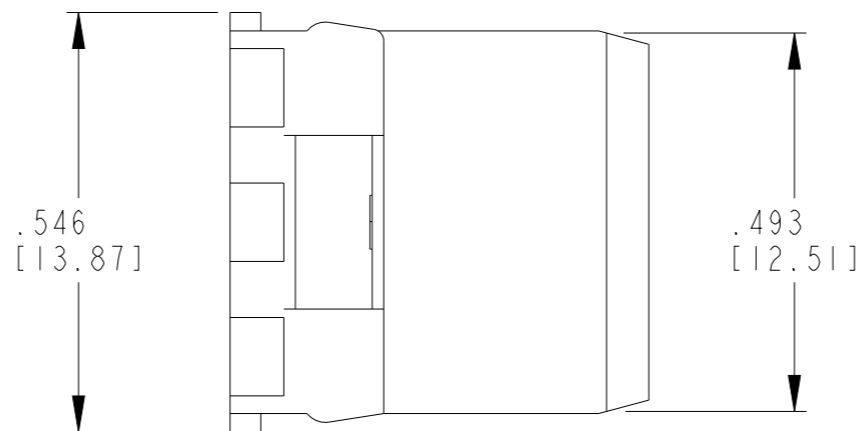
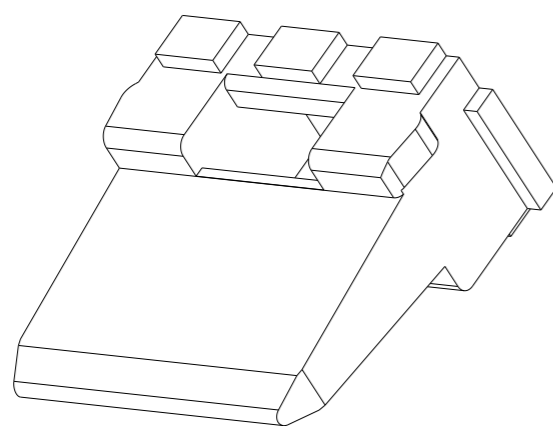


LOC	DIST	REVISIONS					
		P	LTR	DESCRIPTION	DATE	DWN	APVD
-	-		A	REVISED PER EO P21310	4-26-12	RLM	RDR
			B	REVISED PER ECO-13-013634	8-26-13	RLM	DM
			BI	REVISED PER ECO-14-005288	4-9-14	PV	DM
			G	REVISED PER PCN-23-190134	29SEP2023	GB	BC

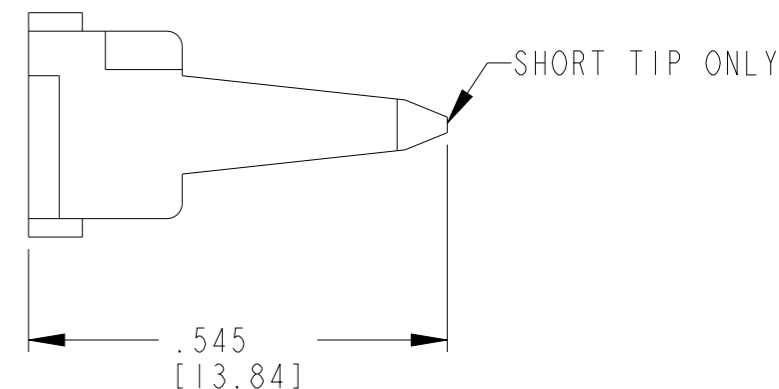
OPTIONAL GATE VESTIGE APPROX. AS SHOWN



CAVITY I.D. APPROX. AS SHOWN.



OPTIONAL CONFIGURATION



1. USED WITH DT04-6P-XXXX (XXXX = ALL MODIFICATIONS). CONSULT FACTORY FOR MODIFICATIONS AND APPLICATION.

THIS DRAWING IS A CONTROLLED DOCUMENT.		DWN 16AUG2013 R. MESSENGER		
DIMENSIONS: INCHES [mm]		CHK 28MAR2014 R. MESSENGER		
TOLERANCES UNLESS OTHERWISE SPECIFIED:		APVD 28MAR2014 D. MEYER	NAME WEDGE LOCK 6 WAY RECEPTACLE DT SERIES	
0 PLC ± 1 PLC ± 2 PLC ± 3 PLC ±.025 [0.64] 4 PLC ± ANGLES ±0°30'0"		PRODUCT SPEC 108-151009	RESTRICTED TO	
MATERIAL PBT GF30 GREEN		FINISH -	APPLICATION SPEC 114-151009	SIZE A3
		WEIGHT 0.84 g	CAGE CODE 4AFU8	DRAWING NO. W6P-P004
		CUSTOMER DRAWING	SCALE 4:1	SHEET 1 OF 1
				REV G