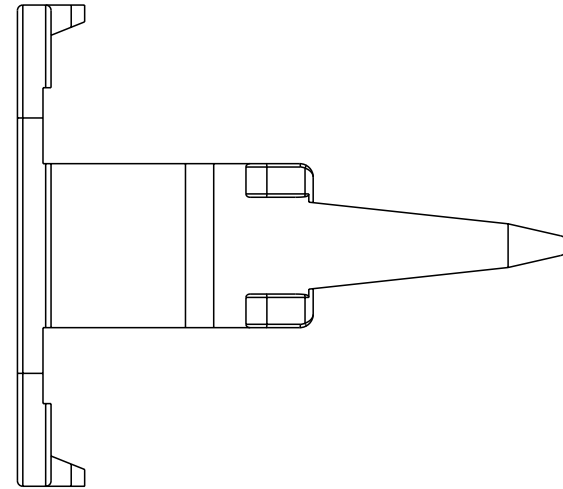
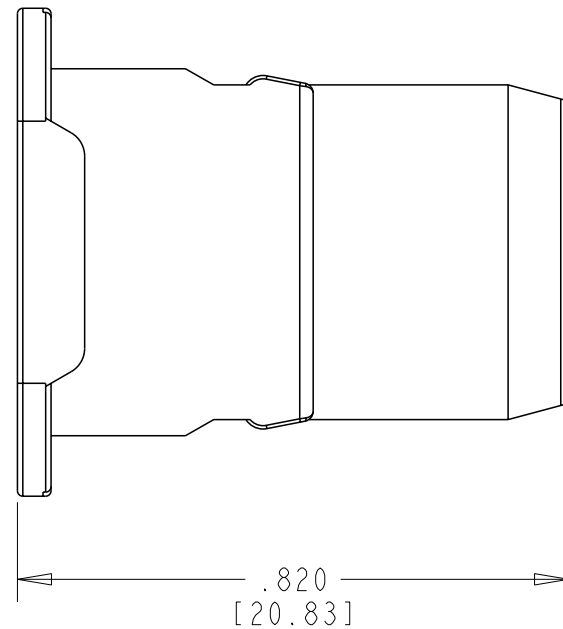
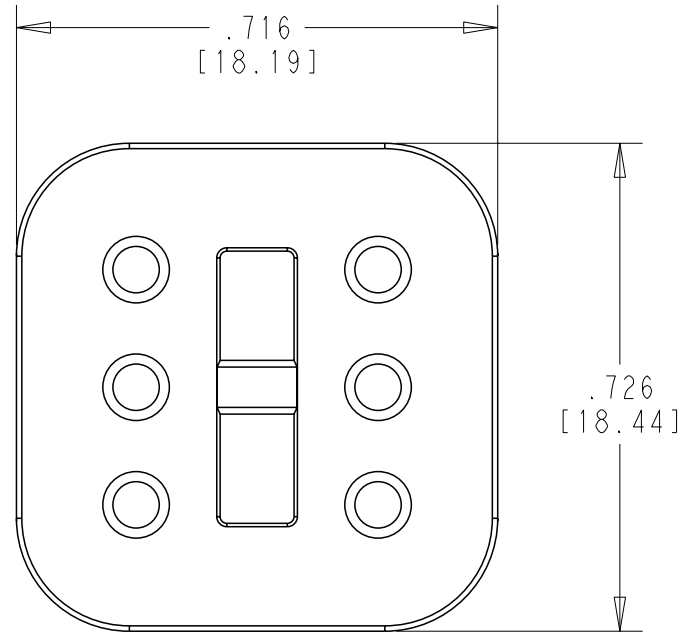


© 2023 TE Connectivity. All Rights Reserved.

REVISIONS

P	LTR	DESCRIPTION	DATE	DWN	APVD
	NC	NEW RELEASE PER E.O. P16803	22AUG2000	GN	-
	B	REVISED PER PCN-23-190134	05OCT2023	GB	CB



Printed on 23 Oct 2023 15:55 (Eastern Standard Time) from TE354946

1. THIS WEDGE MATES WITH DT06-6S-XXXX AND DTF13-6P2. (XXXX = ALL MODIFICATIONS) CONSULT FACTORY FOR MODIFICATIONS

NOTES:

THIS DRAWING IS A CONTROLLED DOCUMENT.		DWN	09AUG2000		
		CHK	M. GONZALEZ		
		APVD			
		PRODUCT SPEC	108-151009		
DIMENSIONS: INCHES [mm]		TOLERANCES UNLESS OTHERWISE SPECIFIED: 0 PLC ±- 1 PLC ±- 2 PLC ±- 3 PLC ±.025 [0.64] 4 PLC ±- ANGLES ±-		NAME WEDGE LOCK KEY POSITION #2 FOR DFT SERIES COLOR : BLUE	
		APPLICATION SPEC 114-151009		SIZE CAGE CODE DRAWING NO RESTRICTED TO A3 00779 C-W6S2-P012 -	
MATERIAL PBT GF30 BLUE		FINISH -		WEIGHT 1.79 g	
		CUSTOMER DRAWING		SCALE	7:2
				SHEET	1 OF 1
				REV	B