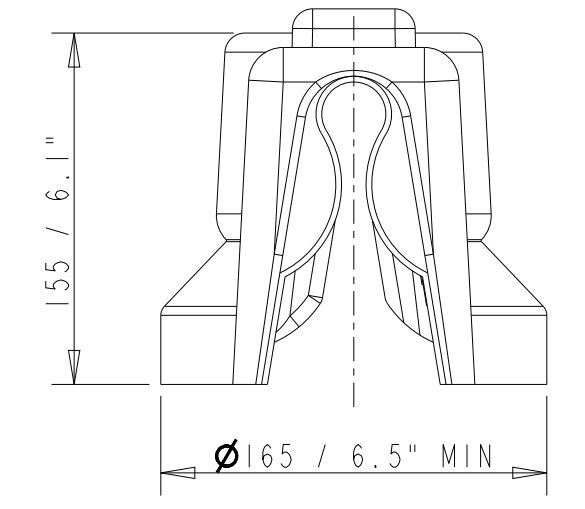
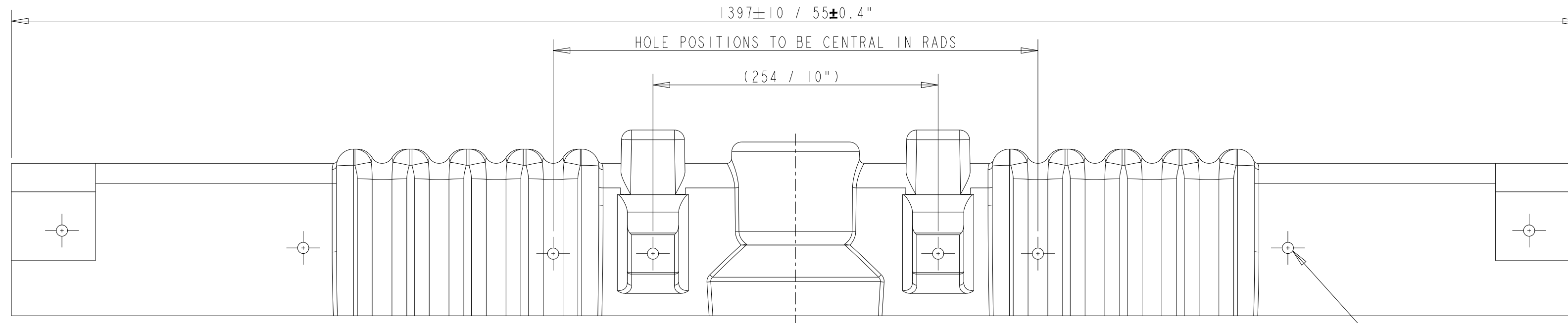
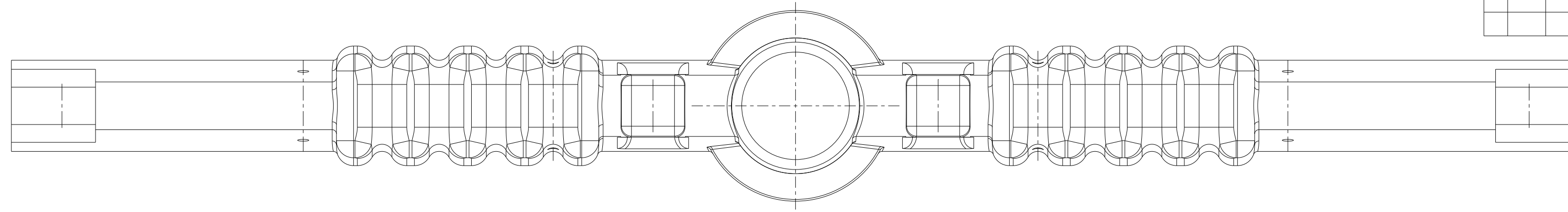
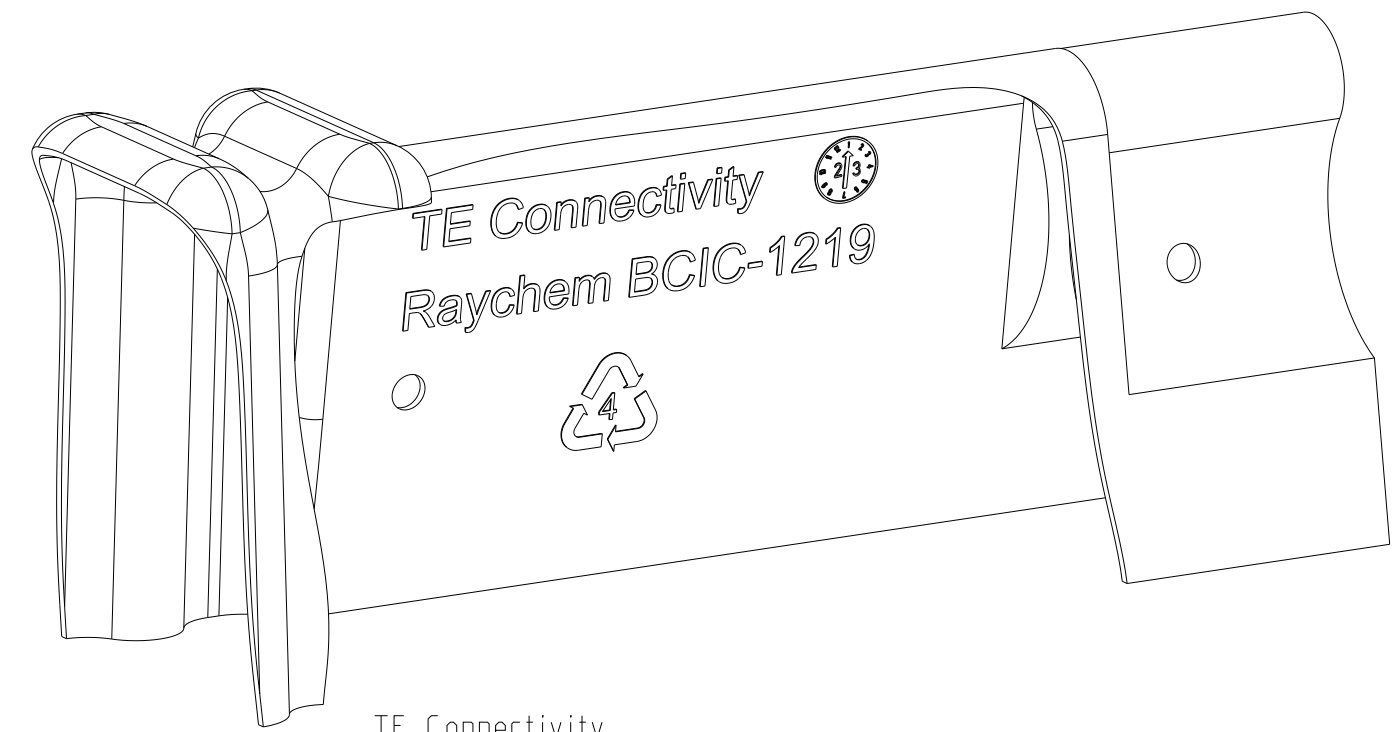


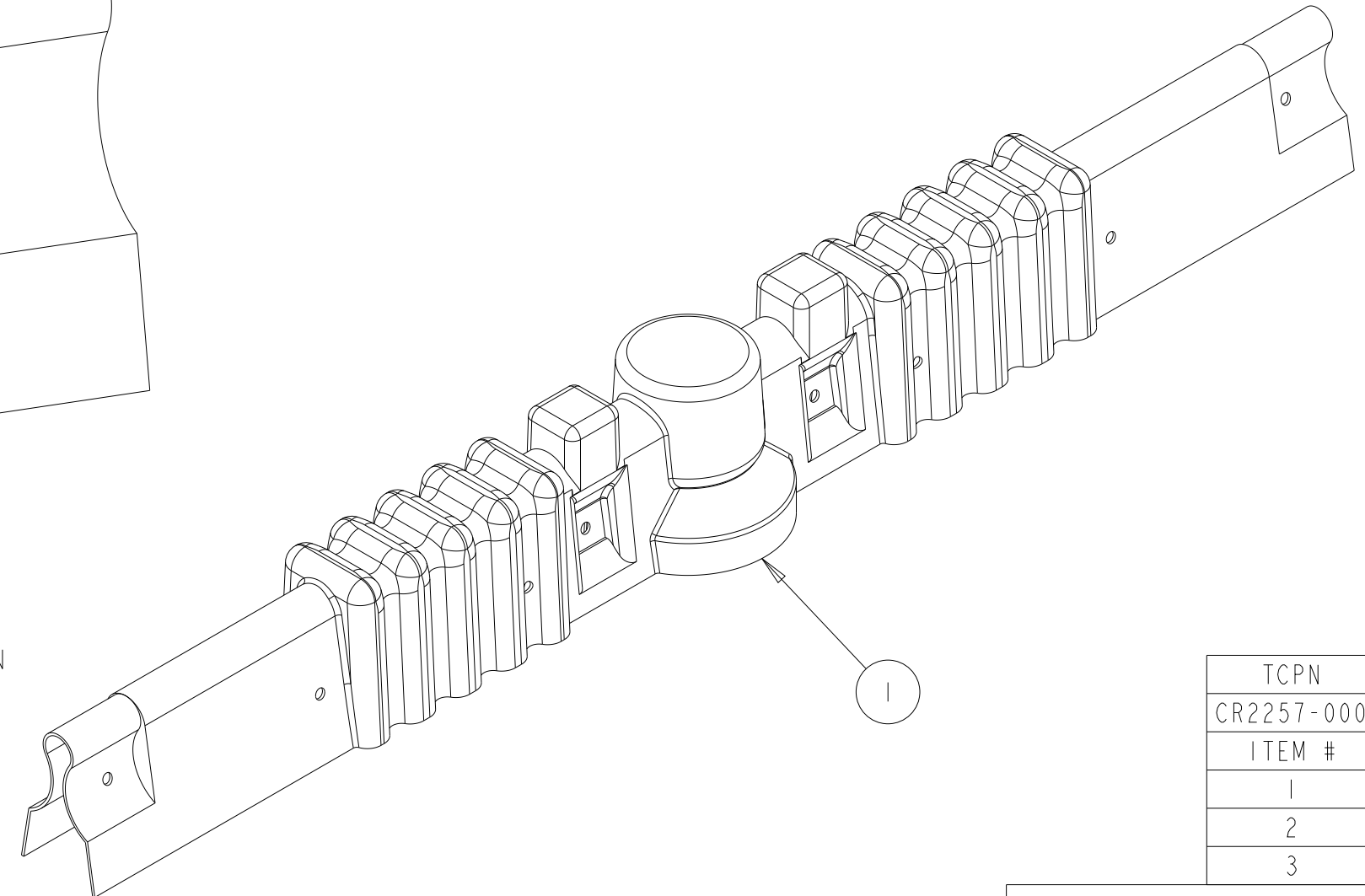
P	LTR	DESCRIPTION	DATE	DWN	APVD
A		ORIGINAL ISSUE	19DEC2023	JM	-
AI		ECR-24-215485	22JUL2024	HM	JM



Ø10mm / 0.4" THRU
-TYP 8 PLCS



TE Connectivity
Raychem BCIC-1219
LOT# DIAL - yymm
RECYCLE SYMBOL 4
PRINTING EMBOSSED ON INSIDE OF PRODUCT AS SHOWN



NOTES: (UNLESS OTHERWISE SPECIFIED)
MATERIAL: SEE TABLE
WALL THICKNESS IS 2.5mm / 0.1" NOMINAL.
TOLERANCES: ±3mm / 0.12" UNLESS OTHERWISE NOTED.
FILLET/RADII: R6mm / 0.24" UNLESS NOTED.
5mm FLANGE PERMISSIBLE ALL AROUND PART.
COLD MARKS ARE ALLOWABLE AS LONG AS THE WALL THICKNESS IN THESE REGIONS MEETS REQUIREMENTS.

TCPN	DESCRIPTION	TCPN	DESCRIPTION		
CR2257-000	BCIC-1219-PE-(B15)	CR2257-005	BCIC-1219-PE-(B15)		
ITEM #	DESCRIPTION	QTY	ITEM #	DESCRIPTION	QTY
1	BCIC-1219-PE	15	1	BCIC-1219-PE	15
2	EPP-1587-DE-12/08	1	2	ESD-5580-DE-10/10	1
3	EPPA-024-5-350	125(5 Bags)	3	EPPA-024-5-350	125(5 Bags)

THIS DRAWING IS A CONTROLLED DOCUMENT.

DIMENSIONS: mm / inches	TOLERANCES UNLESS OTHERWISE SPECIFIED: 0 PLC ± 1 PLC ± 2 PLC ± 3 PLC ± 4 PLC ± ANGLES ± FINISH -	DWN J MULLIGAN 18DEC2023 CHK M JAMES 18DEC2023 APVD I BOND 18DEC2023	
MATERIAL SEE NOTES	PRODUCT SPEC - APPLICATION SPEC - WEIGHT -	NAME BCIC-1219-PE-(Bxx) SEE TABLE	
CUSTOMER DRAWING		SIZE A2 CAGE CODE 00779 DRAWING NO G-WAP-BCIC-0116-C	RESTRICTED TO -

SCALE 1:3 SHEET 1 OF 1 REV AI