

REV NC **WMH-2P ***

REVISIONS			
SYM	DESCRIPTION	DATE	APPROVED
NC	NEW RELEASE PER E.O. PI9769	3-17-08	RDR

- 4. WEDGE LOCK TO BE INSERTED ONE CLICK, THEN SEAT IT FULLY A SECOND CLICK AFTER INSTALLING CONTACTS.
- 3. THIS WEDGE LOCK MATES WITH DTMH04-2P*-**** RECEPTACLE (* = A, B, C AND D KEYS) **** = ALL MODIFICATIONS.
- 2. ALL DIMENSIONS ARE ±.025 [0.64].
- 1. ALL DIMENSIONS ARE IN INCHES [mm].

NOTES: UNLESS OTHERWISE SPECIFIED

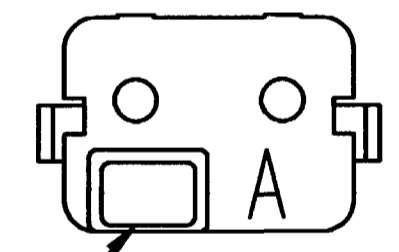
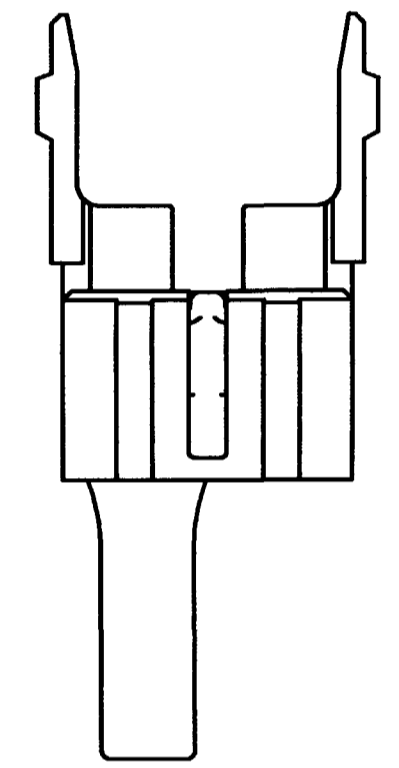
SIGNATURE & DATE	
DR	D. WHITACRE 2/27/08
CHK	<i>[Signature]</i> 3/13/08
PE	<i>[Signature]</i> 3/12/08
APPD	<i>[Signature]</i> 3/13/08
SCALE	NONE

WEDGE LOCK, TPA
2 PIN CONT, SIZE 20
DTMH SERIES

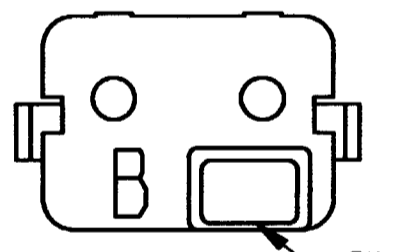
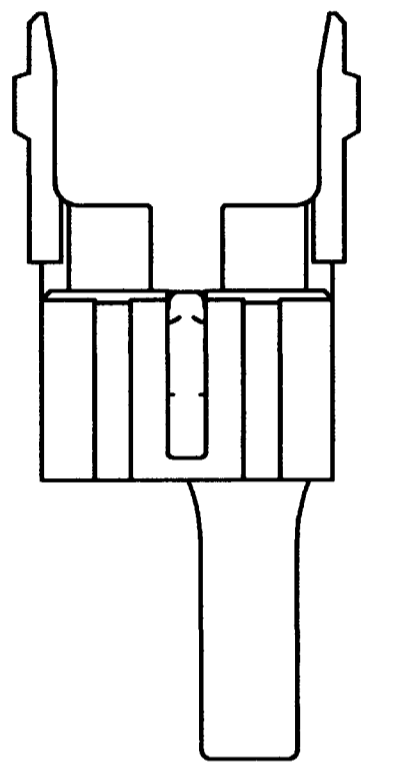
ENVELOPE

EP 180	MATL. CODE
3850 INDUSTRIAL AVE. HEMET, CA 92545 DEUTSCH INDUSTRIAL	
B	WMH-2P *
DWG SIZE	CODE SHEET 1 OF 2

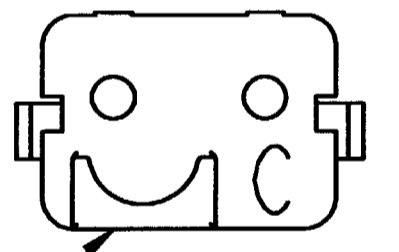
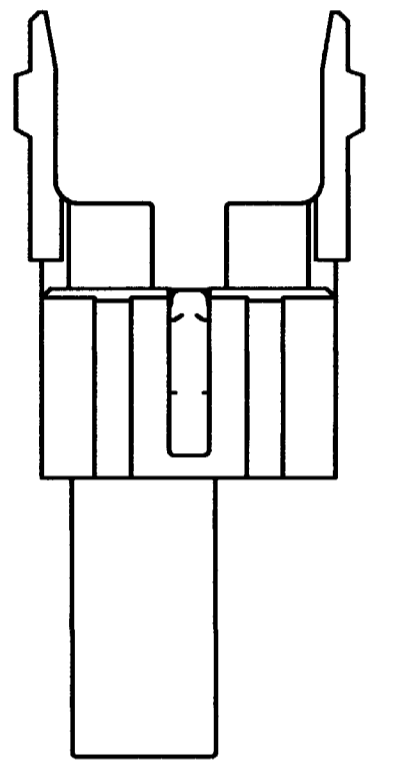
REV	NC	REVISIONS			
WMH-2P *		SYM	DESCRIPTION	DATE	APPROVED
		NC	SEE SHEET 1	3-17-08	ADR



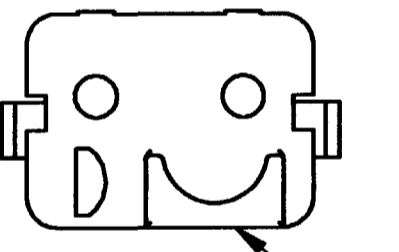
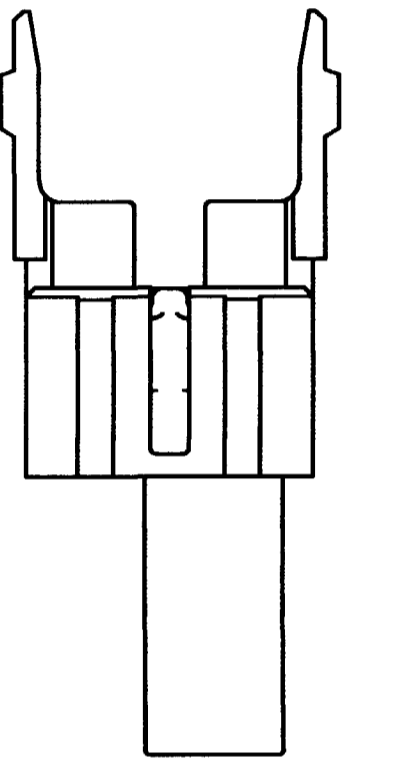
WMH-2PA
-A- KEY
TPA COLOR: GREY



WMH-2PB
-B- KEY
TPA COLOR: BLACK



WMH-2PC
-C- KEY
TPA COLOR: GREEN



WMH-2PD
-D- KEY
TPA COLOR: BROWN

NOTES:

SIGNATURE & DATE		WEDGE LOCK, TPA 2 PIN CONT, SIZE 20 DTMH SERIES	EP 180	MATL. CODE
DR	D. WHITACRE 2/27/08		3850 INDUSTRIAL AVE. HEMET, CA 92545	
CHK	<i>[Signature]</i> 3/13/08		DEUTSCH INDUSTRIAL	
PE	<i>[Signature]</i> 3/12/08		B WMH-2P *	
APPD	<i>[Signature]</i> 3/12/08	ENVELOPE	DWG SIZE	SHEET 2 OF 2
SCALE	NONE		CODE 11139	