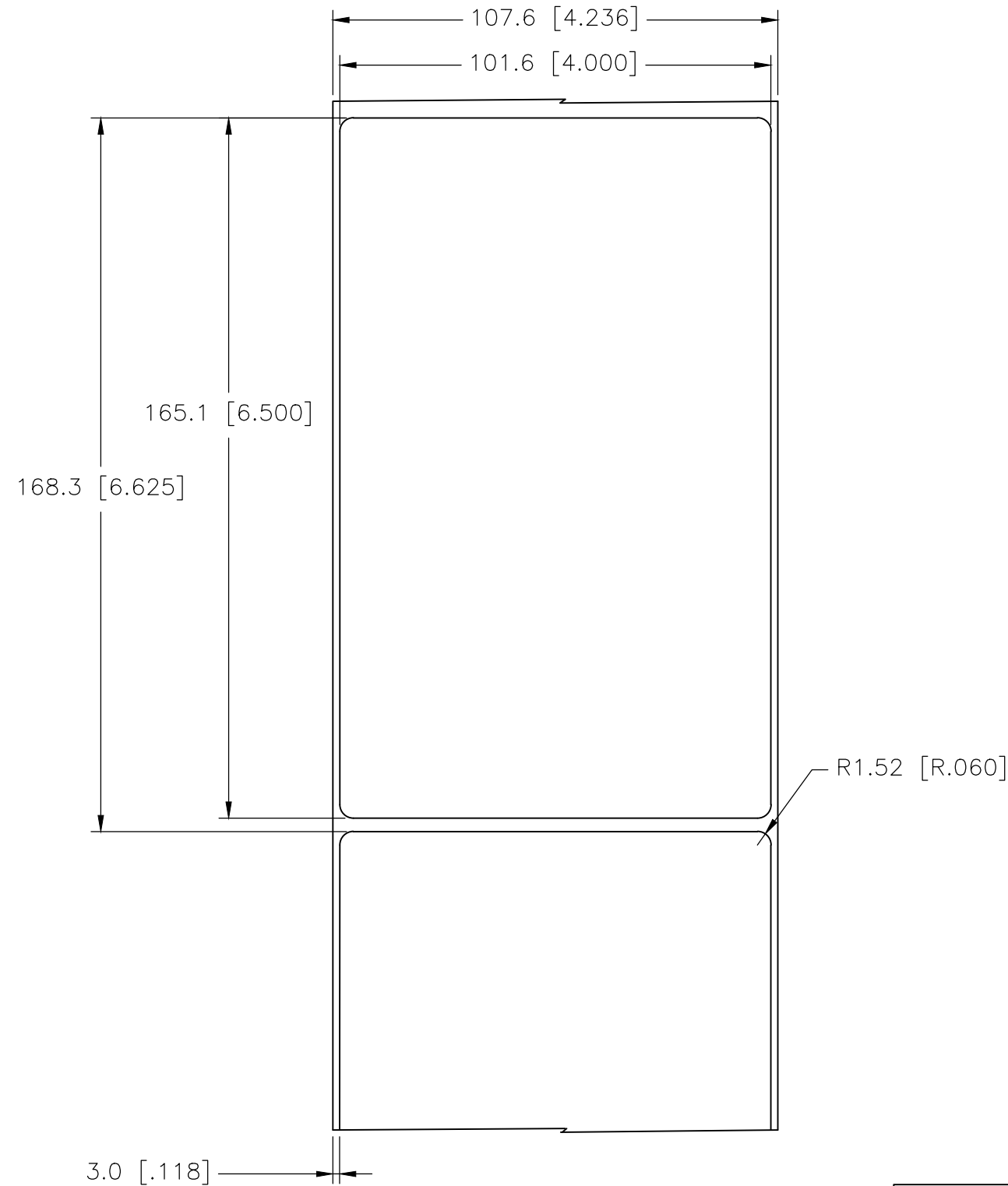
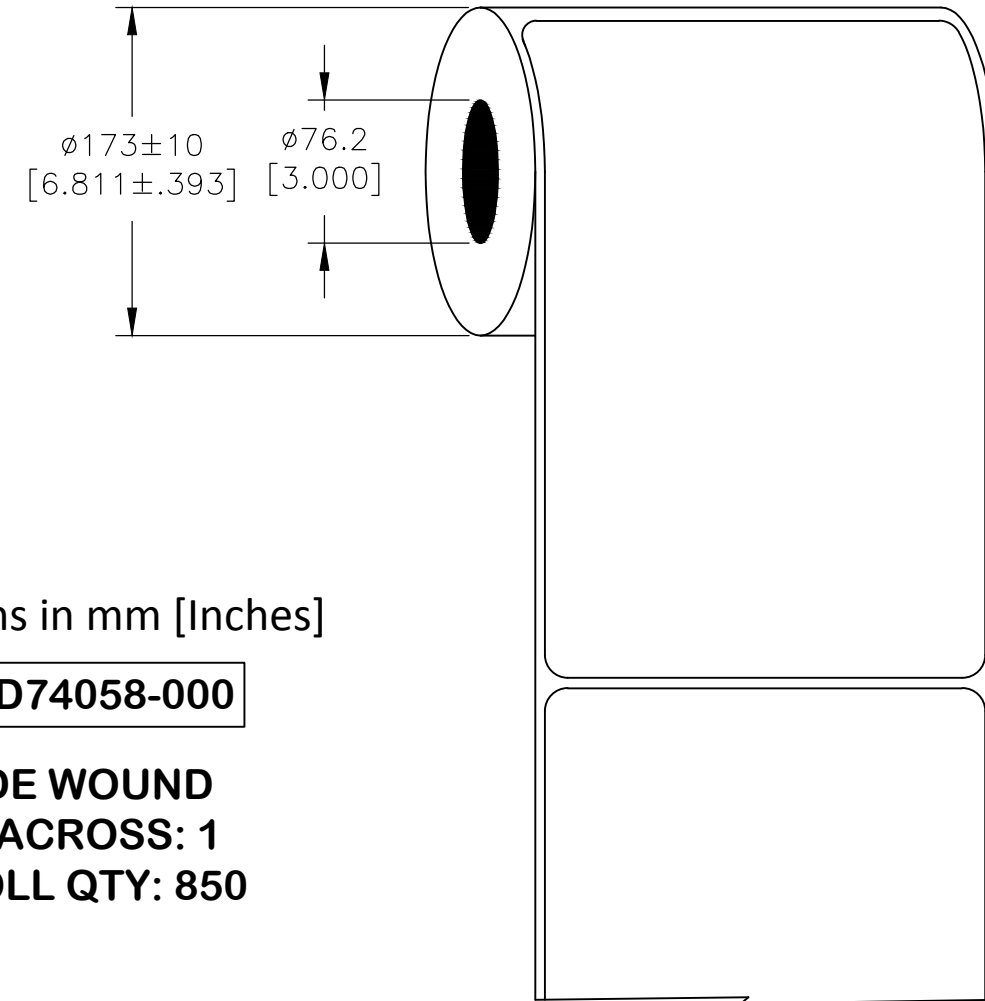


P	LTR	DESCRIPTION	DATE	DWN	APVD
	F	INITIAL RELEASE	13MAR2020	GK	MN

LABEL AND LINER DESIGN



PRESENTATION



All dimensions in mm [Inches]

TE PN: D74058-000

**OUTSIDE WOUND
LABEL ACROSS: 1
PER ROLL QTY: 850**

MATERIAL	WHITE POLYESTER
ADHESIVE TYPE	PERMANENT
LINER	GLASSINE PAPER

TOLERANCES mm [INCH]	
LABEL HEIGHT:	±0.3 [.012]
LABEL WIDTH:	±0.3 [.012]
WEB WIDTH:	±0.8 [.031]
VERTICAL REPEAT:	±0.8 [.031]*
HORIZONTAL REPEAT:	±0.8 [.031]*
PRINT POSITIONING:	±0.8 [.031]*
LEFT MARGIN:	±0.4 [.016]
QUANTITY:	-0 % +2 %
*NON ACCUMULATING	

THIS DRAWING IS A CONTROLLED DOCUMENT.	
DIMENSIONS: mm [INCHES]	TOLERANCES UNLESS OTHERWISE SPECIFIED:
	0 PLC ± -
	1 PLC ± -
	2 PLC ± -
	3 PLC ± -
	4 PLC ± -
MATERIAL	FINISH ± -
SEE TABLE	-

DWN	20FEB2020
CHK	GOPALAKRISHNA HV
APVD	13MAR2020
PRODUCT SPEC	M.NUTTALL
APPLICATION SPEC	M.NUTTALL
WEIGHT	TTDS-073
CUSTOMER DRAWING	1.510g

		TE Connectivity	
NAME		WP - WHITE POLYESTER LABELS	
SIZE	CAGE CODE	DRAWING NO	RESTRICTED TO
A3	C2290	G-WP-101165-0.85-9	-
SCALE		SHEET	REV
NTS		1 OF 1	F