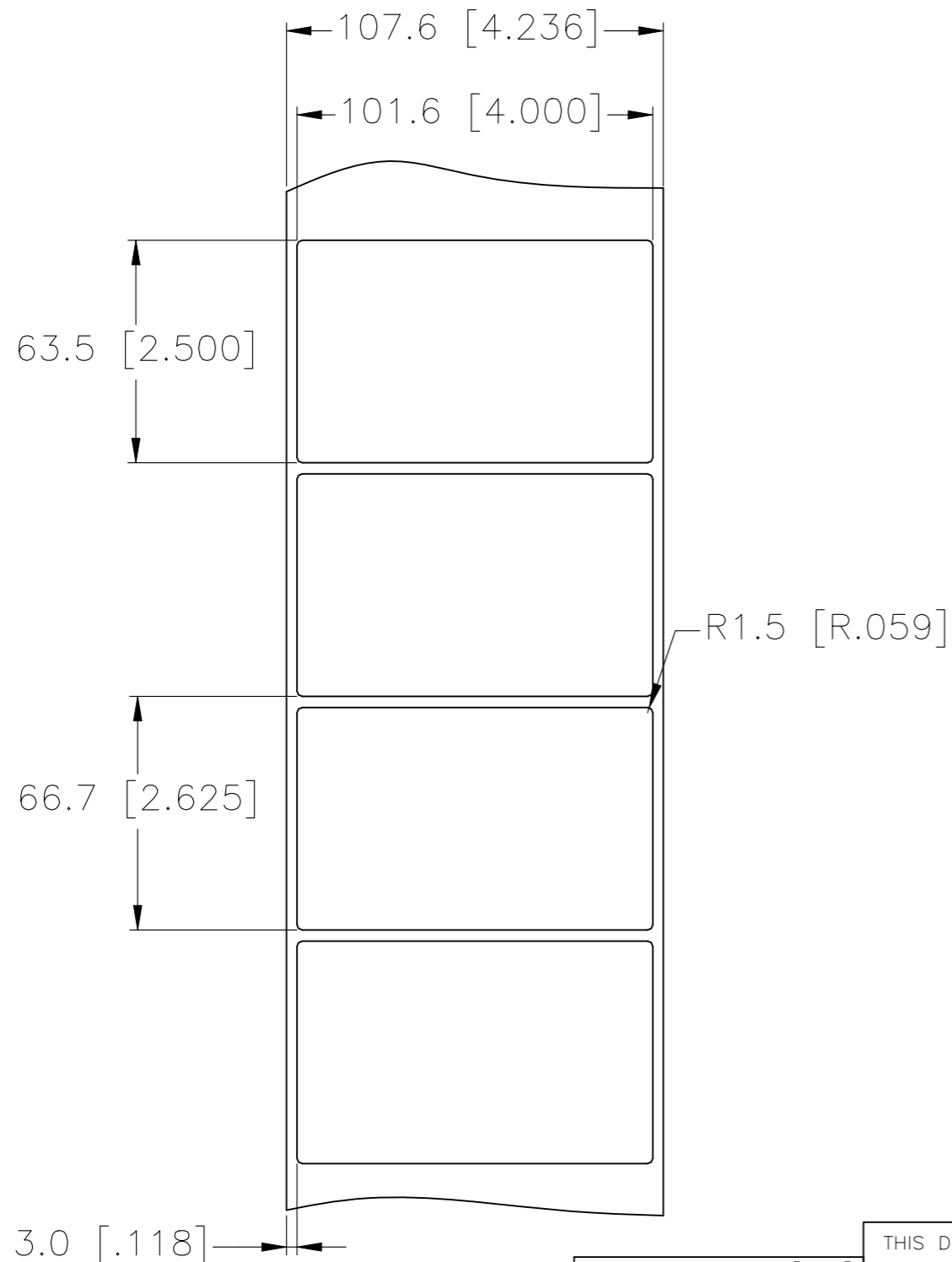
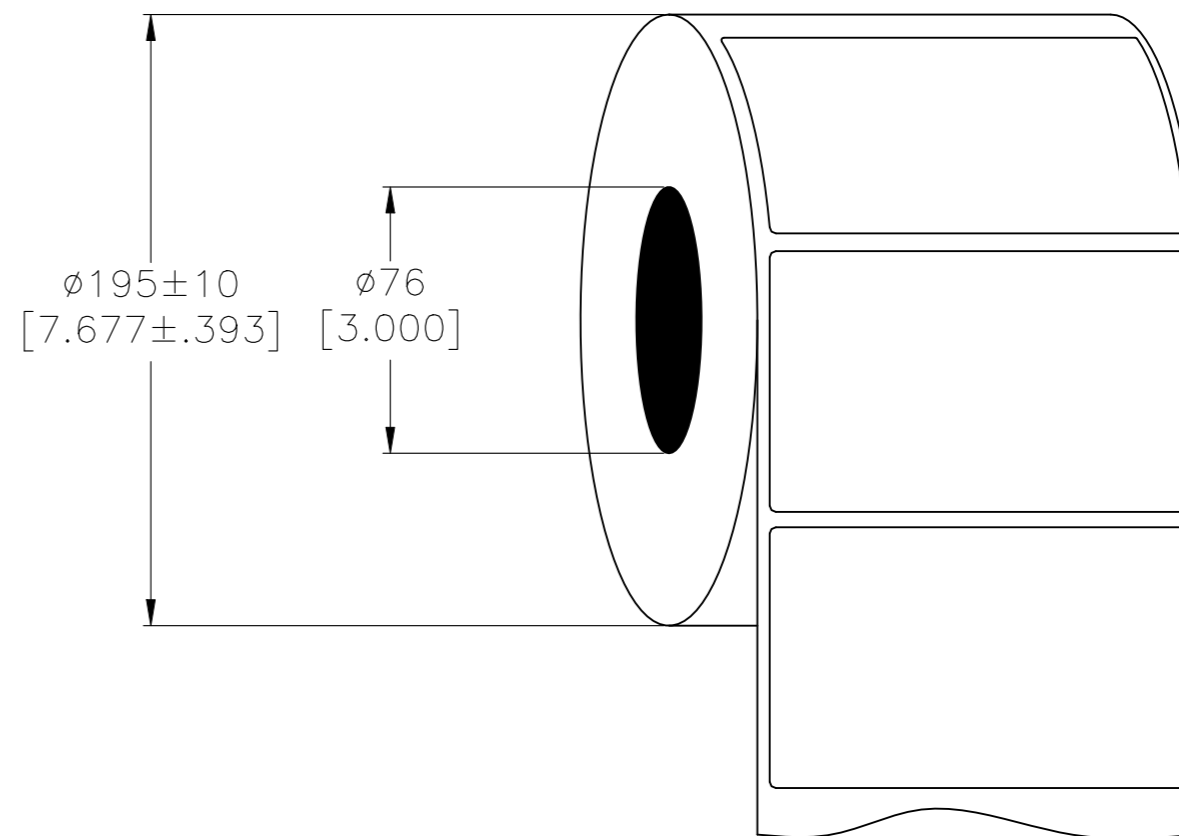


P	LTR	DESCRIPTION	DATE	DWN	APVD
	A	NEW DRAWING	24SEP2020	GK	DB

LABEL AND LINER DESIGN



PRESENTATION



All dimensions in mm [Inches]

TE PN: CT92063001

**OUTSIDE WOUND LABEL ACROSS:
PER ROLL QTY: 2500**

MATERIAL	WHITE POLYESTER
ADHESIVE TYPE	ACRYLIC PERMANENT
LINER	WHITE GLASSINE

3.0 [.118]

TOLERANCES mm [INCH]	
LABEL HEIGHT:	± 0.3 [.012]
LABEL WIDTH:	± 0.3 [.012]
WEB WIDTH:	± 2.0 [.079]
VERTICAL REPEAT:	± 0.8 [.031]*
HORIZONTAL REPEAT:	± 0.8 [.031]*
PRINT POSITIONING:	± 0.8 [.031]*
LEFT MARGIN:	± 0.7 [.027]
QUANTITY:	-0 % +2 %
*NON ACCUMULATING	

THIS DRAWING IS A CONTROLLED DOCUMENT.	
DIMENSIONS: mm [INCHES]	TOLERANCES UNLESS OTHERWISE SPECIFIED:
	0 PLC $\pm -$
	1 PLC $\pm -$
	2 PLC $\pm -$
	3 PLC $\pm -$
	4 PLC $\pm -$
ANGLES	$\pm -$
MATERIAL SEE TABLE	FINISH -

DWN	24SEP2020
GOPALAKRISHNA HV	
CHK	24SEP2020
D. BURGAT	
APVD	24SEP2020
D. BURGAT	
PRODUCT SPEC	
TTDS-301	
APPLICATION SPEC	
WEIGHT	0.787g

TE Connectivity		NAME	
		White Polyester Chemical Resistant - 101.6 x 63.5mm [4.0 x 2.5inch]	
SIZE	CAGE CODE	DRAWING NO	RESTRICTED TO
A3	FB1U7	C=WPCR-101635-2.5-9	-
CUSTOMER DRAWING		SCALE	SHEET
		NTS	1 OF 1
		REV	A