

4

3

2

1

THIS DRAWING IS UNPUBLISHED.

RELEASED FOR PUBLICATION

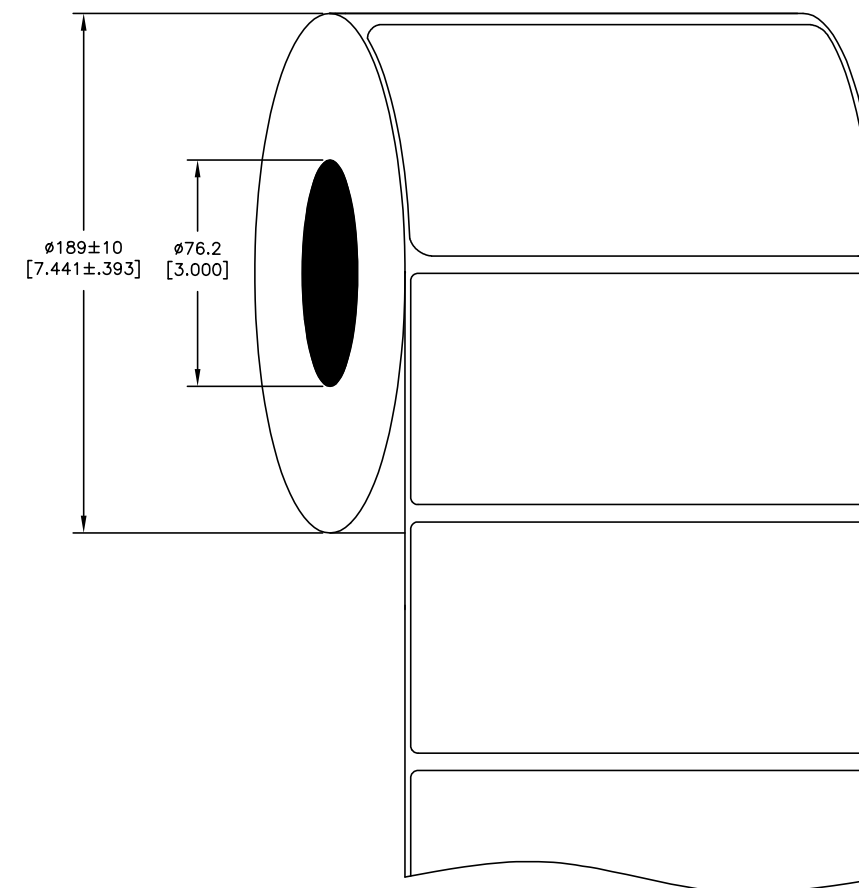
© COPYRIGHT - TE Connectivity Ltd.

ALL RIGHTS RESERVED.

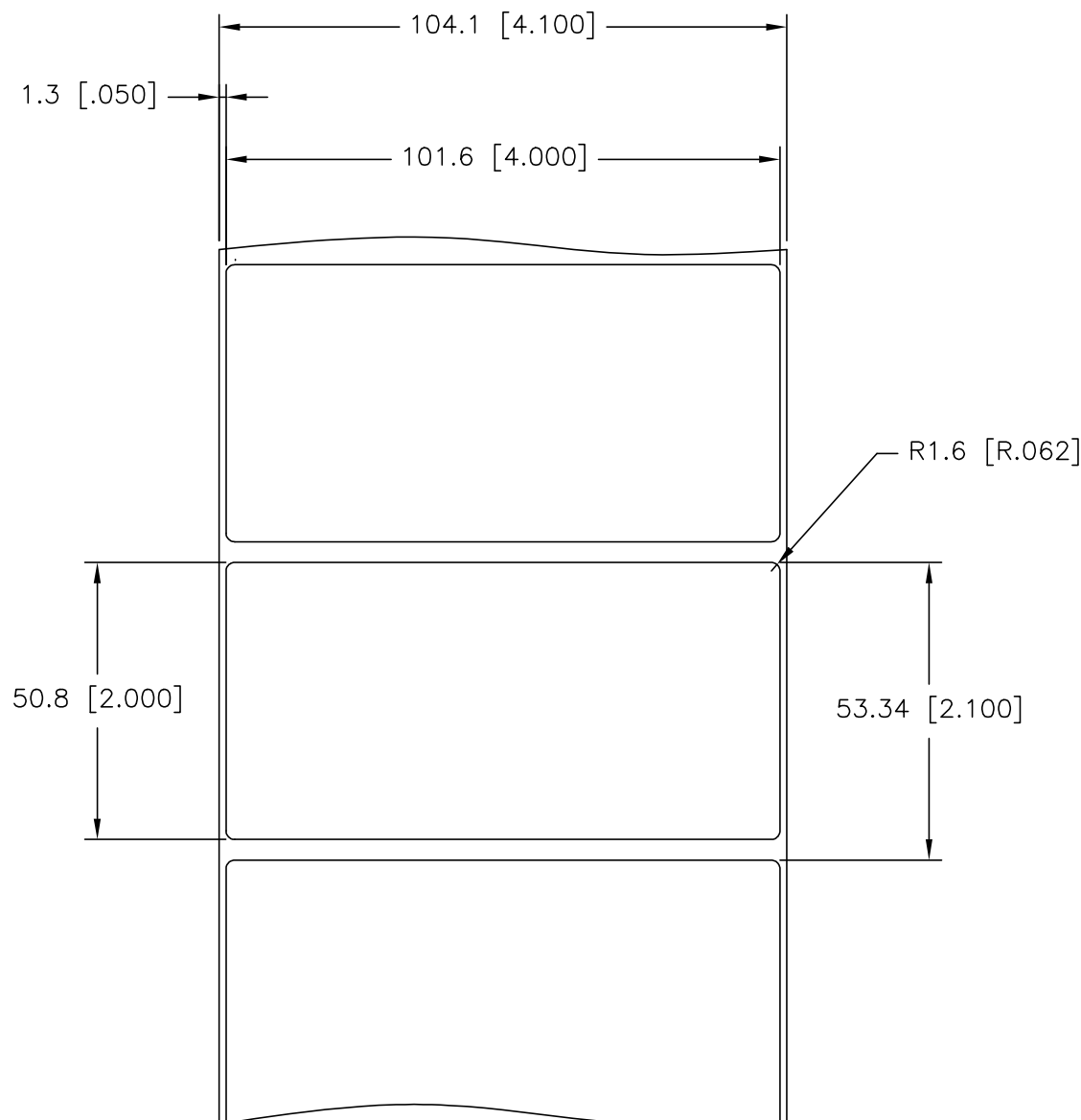
REVISIONS

P	LTR	DESCRIPTION	DATE	DWN	APVD
	A	DRAWING FORMAT UPDATE AND MATERIAL RE-DESIGN	31JUL2019	GK	KM

PRESENTATION



LABEL AND LINER DESIGN



All dimensions in mm [Inches]

TE PN: D87365-000

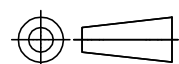
OUTSIDE WOUND
LABEL ACROSS: 1
PER ROLL QTY: 2500.
ROLL LENGTH: 136.50 m

MATERIAL	WHITE VINYL FILM
ADHESIVE TYPE	PERMANENT
LINER	GLASSINE PAPER

TOLERANCES mm [INCH]	
LABEL HEIGHT:	±0.3 [.012]
LABEL WIDTH:	±0.3 [.012]
WEB WIDTH:	±0.8 [.031]
VERTICAL REPEAT:	±0.8 [.031]*
HORIZONTAL REPEAT:	±0.8 [.031]*
PRINT POSITIONING:	±0.8 [.031]*
LEFT MARGIN:	±0.4 [.016]
QUANTITY:	-0 % +2 %
*NON ACCUMULATING	

THIS DRAWING IS A CONTROLLED DOCUMENT.

DIMENSIONS:
mm [INCHES]



TOLERANCES UNLESS OTHERWISE SPECIFIED:

0 PLC	± -
1 PLC	± -
2 PLC	± -
3 PLC	± -
4 PLC	± -
ANGLES	± -

MATERIAL
SEE TABLE

FINISH

DWN	31JUL2019
CHK	GOPALAKRISHNA HV
APVD	31JUL2019
NAME	K. MUNZ
PRODUCT SPEC	K. MUNZ
APPLICATION SPEC	TTDS-207
WEIGHT	0.59355 g



NAME				RESTRICTED TO	
WV - WHITE VINYL LABELS				-	
SIZE	CAGE CODE	DRAWING NO	-		
A3	C2290	WV-101508-2.5-9	-		
CUSTOMER DRAWING		SCALE	SHEET	REV	
		NTS	1 of 1	A	