

THIS DRAWING IS UNPUBLISHED.

RELEASED FOR PUBLICATION

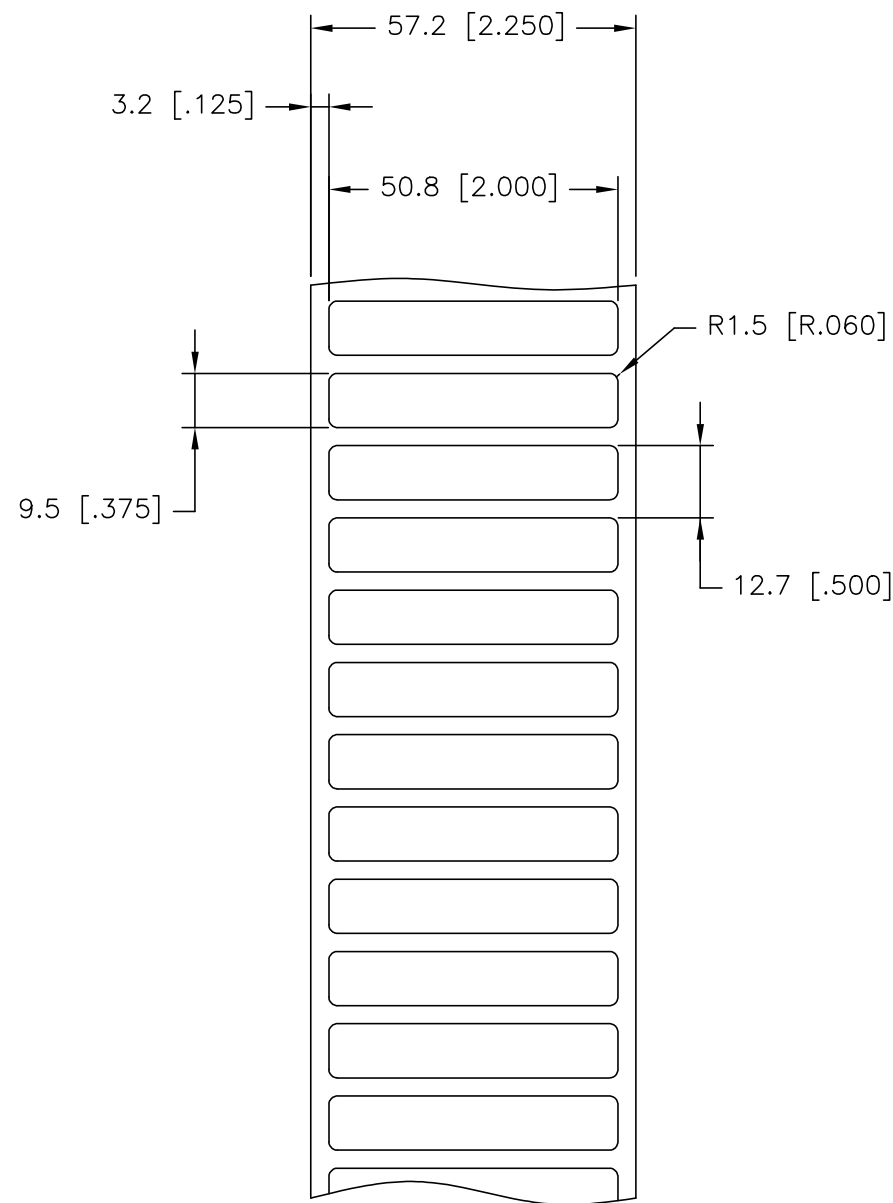
© COPYRIGHT - TE Connectivity Ltd.

ALL RIGHTS RESERVED.

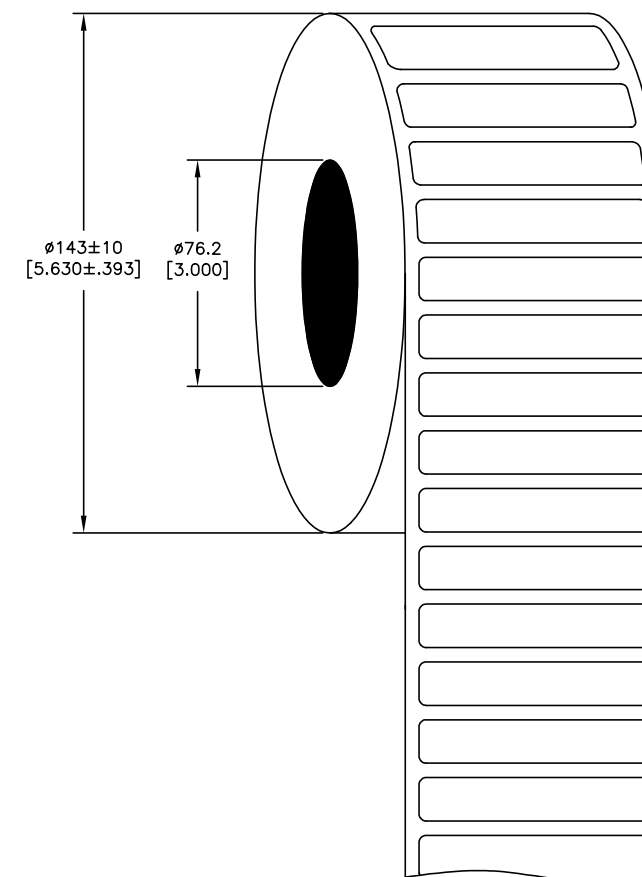
REVISIONS

P	LTR	DESCRIPTION	DATE	DWN	APVD
	A	DRAWING FORMAT UPDATE AND MATERIAL RE-DESIGN	30JUL2019	GK	KM

LABEL AND LINER DESIGN



PRESENTATION



All dimensions in mm [Inches]

TE PN: E34125-000

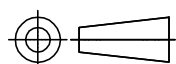
OUTSIDE WOUND
LABEL ACROSS: 1
PER ROLL QTY: 5000.
ROLL LENGTH: 63.50 m

MATERIAL	WHITE VINYL FILM
ADHESIVE TYPE	PERMANENT
LINER	GLASSINE PAPER

TOLERANCES mm [INCH]	
LABEL HEIGHT:	± 0.3 [.012]
LABEL WIDTH:	± 0.3 [.012]
WEB WIDTH:	± 0.8 [.031]
VERTICAL REPEAT:	± 0.8 [.031]*
HORIZONTAL REPEAT:	± 0.8 [.031]*
PRINT POSITIONING:	± 0.8 [.031]*
LEFT MARGIN:	± 0.4 [.016]
QUANTITY:	-0 % +2 %
*NON ACCUMULATING	

THIS DRAWING IS A CONTROLLED DOCUMENT.

DIMENSIONS:
mm [INCHES]



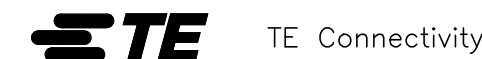
TOLERANCES UNLESS OTHERWISE SPECIFIED:

0 PLC	$\pm -$
1 PLC	$\pm -$
2 PLC	$\pm -$
3 PLC	$\pm -$
4 PLC	$\pm -$
ANGLES	$\pm -$

MATERIAL
SEE TABLE

FINISH

DWN	30JUL2019
CHK	GOPALAKRISHNA HV
APVD	30JUL2019
PRODUCT SPEC	K. MUNZ
APPLICATION SPEC	K. MUNZ
WEIGHT	TTDS-207
CUSTOMER DRAWING	0.05550 g



NAME		RESTRICTED TO	
WV - WHITE VINYL LABELS		-	
SIZE	CAGE CODE	DRAWING NO	RESTRICTED TO
A3	C2290	WV-508095-5-9	-
SCALE		SHEET	REV
NTS		1 of 1	A