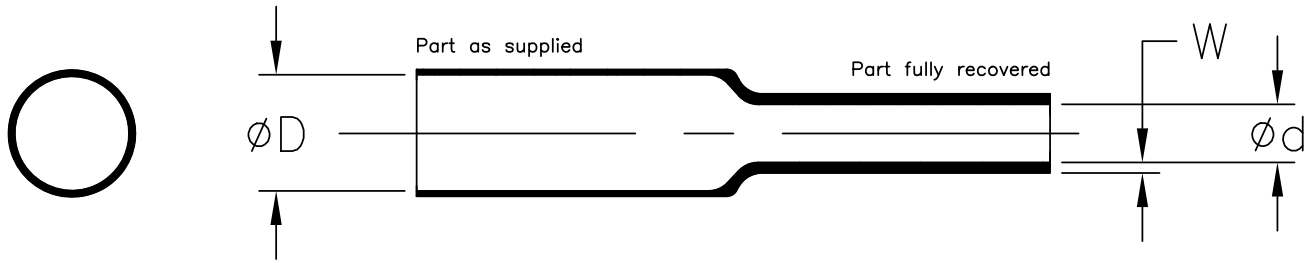


REVISION			
REV	DESCRIPTION	DATE	APPROVED
A	INITIAL RELEASE OF DWG PER ECO-19-004674	3/26/2019	I. MYONG


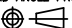


SIZE	INSIDE DIAMETER AS SUPPLIED $\phi D$ MINIMUM		INSIDE DIAMETER AFTER RECOVERY $\phi d$ MAXIMUM		WALL THICKNESS "W" AFTER RECOVERY MM. [ IN. ]	MASS PER UNIT LENGTH MAX-g/m
	MM.	IN.	MM.	IN.		
3.0/1.5	3.0	.118	1.5	.059	0.70±0.10 [.028±.004]	4.6
5.0/2.5	5.0	.197	2.5	.098	0.75±0.15 [.030±.006]	9.8
8.0/4.0	8.0	.315	4.0	.157	0.80±0.15 [.031±.006]	14.3
12.0/6.0	12.0	.472	6.0	.236	0.90±0.15 [.035±.006]	22.9
18.0/9.0	18.0	.709	9.0	.354	1.00±0.20 [.039±.008]	35
24.0/12.0	24.0	.945	12.0	.472	1.10±0.20 [.043±.008]	55.69
40.0/20.0	40.0	1.575	20.0	.789	1.30±0.25 [.051±.009]	103.5
50.0/30.0	50.0	1.969	30.0	1.181	1.50±0.30 [.059±.012]	176

**NOTES:**

1. THIS PRODUCT IS DESIGNED FOR A WIDE RANGE OF APPLICATIONS, AND MEETS THE PERFORMANCE REQUIREMENTS OF TE SPECIFICATION RW-3044.
2. PACKAGED AND SUPPLIED ON A SPOOL AND LABELED WITH (example: ZH150 8/4-0), PART NUMBERING SYSTEM: ZH150= PART NUMBER, 8/4= ORDER SIZE, -0= BLACK (STANDARD COLOR).
3. ALWAYS ORDER THE LARGEST SIZE THAT WILL SHRINK SNUGLY OVER THE COMPONENT TO BE COVERED.
4. FOR MATERIAL AND FINISH INFORMATION REFER TO RW-3044 SPECIFICATION. FOR SPECIAL ORDER SIZES, CONTACT TE CONNECTIVITY.

Raychem Harness & Components **CUSTOMER DRAWING**

UNLESS OTHERWISE SPECIFIED DIMENSIONS ARE IN MILLIMETERS. AND INCH DIMENSIONS ARE IN SHOWN IN (PARENTHESES).		 TE Connectivity	
DECIMALS:	ANGLES: ± 0° 00'		
.000 ± 0.000 .00 ± 0.00 .0 ± 0.0		TITLE: ZH150 TUBING, HEAT SHRINKABLE, FLEXIBLE FLAME RETARDED, HALOGEN FREE	
TE CONNECTIVITY RESERVES THE RIGHT TO AMEND THIS DRAWING AT ANYTIME. USERS SHOULD EVALUATE THE SUITABILITY OF THE PRODUCT FOR THEIR APPLICATION.		DRAWING NO: <b>ZH150</b>	
DRAWN: 15Mar2019 G.Rositano	APPROVED: 22Mar2019 I.Myong	CAGE CODE 06090	CAD FILE: ZH150_cd
SIZE: A	SCALE: ---	THIRD ANGLE PROJ. 	SHEET: 1_OF_1