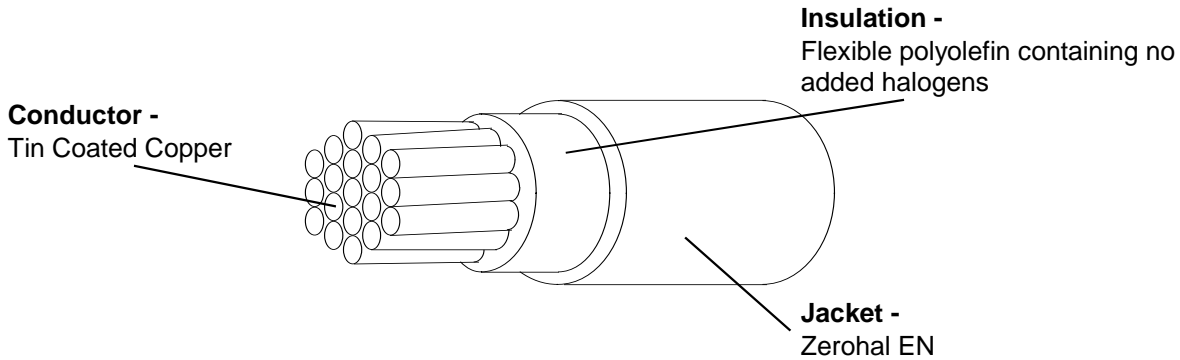


1000/1600 VOLT FLEXIBLE POWER CABLE

The complete requirements for procuring the wire described herein shall consist of this document and the issue in effect of the referenced specifications. This document takes precedence over documents referenced herein.



Part Description	CONDUCTOR			Resistance @ 20°C Maximum (Ohms/km)	FINISHED WIRE			Maximum Weight (kg/km)
	Conductor Stranding No x AWG	Nominal Strand Diameter (mm)	Maximum Diameter (mm)		Outer Diameter (mm)			
					Lower Spec Limit	Target	Upper Spec Limit	
ZHENS-8-#	1078 x 38	0.100	4.57	2.33	6.32	6.50	6.83	119.0
ZHENS-4-#	1666 x 36	0.127	7.37	0.902	9.33	9.75	10.35	275.9
ZHENS-2-#	2646 x 36	0.127	8.81	0.561	12.94	13.10	13.76	465.5
ZHENS-0-#	4256 x 36	0.127	10.92	0.361	14.95	15.30	16.07	678.1
ZHENS-00-#	5320 x 36	0.127	12.10	0.285	16.67	17.00	17.85	846.0
ZHENS-000-#	6783 x 36	0.127	13.97	0.223	18.85	19.20	20.16	1073.2
ZHENS-0000-#	8379 x 36	0.127	17.27	0.180	22.17	22.50	23.63	1433.9

Zerohal® is a registered trademark of Tyco Electronics Corporation

**COLOUR CODE:** The '#' in the part number represents the outer jacket colour. e.g. ZHENS-8-0 is 8AWG conductor size, with a black jacket. Standard colour black but other colours available on request.

**PERFORMANCE REQUIREMENTS:** To be tested to and meet the requirements of the issue in effect of WSD2521

**APPROVAL:** Electronic sign off - no signatures will appear.