

IDC Series

DC Input Module

us File E29244

Users should thoroughly review the technical data before selecting a product part number. It is recommended that users also seek out the pertinent approvals files of the agencies/laboratories and review them to ensure the product meets the requirements for a given application.

Features

- Industry standard package and pin-out.
- Color coded by function.
- 4000V rms optical isolation.
- High immunity to false operation.
- Series compatible.
- Compatible with 2IOM series mounting boards.

Engineering Data

Switch Form: 1 Form A (SPST-NO)
Duty: Continuous.
Operating Temperature: -30°C to +80°C.
Storage Temperature: -30°C to +100°C.
Potting Compound Flammability: UL94V-0.
Solderability: 260°C for 5 seconds, maximum.
Approximate Weight: 1.38 oz. (35g).

Ordering Information

Typical Part Number >

IDC

-5

A

1. **Basic Series:** IDC = DC input module - white case

2. **Logic Voltage:** 5 = 5VDC
 15 = 15VDC
 24 = 24VDC

3. **Input:** Blank = 3.3-32VDC input **
 A = 10-60VDC input **
 F = 4-32VDC input & fast turn-on & turn-off times **

** Is not polarity sensitive.

Our authorized distributors are more likely to maintain the following items in stock for immediate delivery.

IDC-5
 IDC-24

Input Specifications

Parameter	Conditions	Units	IDC-5			IDC-5A			IDC-5F		
			IDC-15	IDC-24		IDC-15A	IDC-24A		IDC-15F	IDC-24F	
			Min.	Typ.	Max.	Min.	Typ.	Max.	Min.	Typ.	Max.
Control Voltage Range V_{IN}		VDC	3	24	32	10	30	60	4	24	32
Must Operate Voltage $V_{IN(OP)}$		VDC			3			10			4
Must release Voltage $V_{IN(REL)}$		VDC	1			1			1		
Maximum Input Current	@ $V_{IN}=Max.$	mA	0.1 - 10			0.1 - 10			0.1 - 10		
Input Resistance		Ohms	Current Regulator								

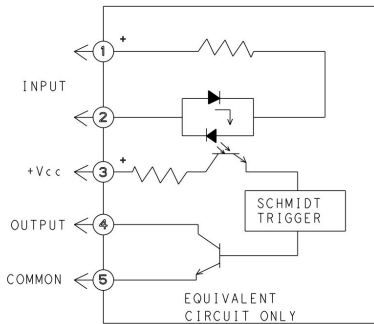
IDC Series (Continued)

DC Input Module

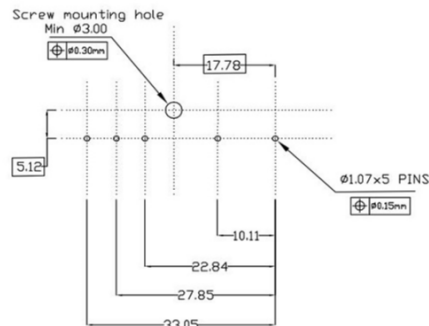
Output Specifications (@ +25°C unless otherwise specified)

Parameter	Conditions	Units	IDC-5			IDC-15			IDC-24		
			IDC-5A	IDC-5F		IDC-15A	IDC-15F		IDC-24A	IDC-24F	
			Min.	Typ.	Max.	Min.	Typ.	Max.	Min.	Typ.	Max.
Maximum Output Voltage		VDC			30			30		30	
Maximum Output Current		mADC			50			50		50	
Maximum Output Leakage Current	V _{OUT} =Max.	µADC			10			10		10	
Maximum Output Voltage Drop	I _{SINK} =50mA	VDC			0.2			0.2		0.2	
Logic Supply Voltage V _{CC}		VDC	3	5	6	12	15	18	20	24	30
Logic Supply Current	V _{CC} =Max.	mADC			15			15		15	
Turn-On Time (Nominal)	I _{SINK} =25mA	ms			1			1		1	
Turn-Off Time (Nominal)	I _{SINK} =25mA	ms			1			1		1	
Output Type (Open Collector)			Normally Open (SINKING)			Normally Open (SINKING)			Normally Open (SINKING)		

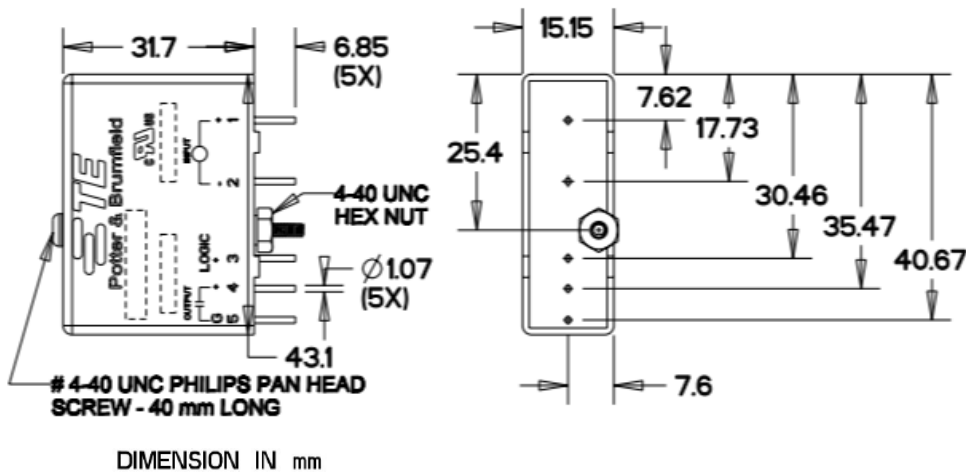
IDC Operating Diagram



PCB Layout



Outline Dimensions



Note : Extra nut and washer will be provided on the screw, which will goes under PCB to fix the relay.
Hex Nut S= 6.35 (width across flats), Thickness = 2.40
Washer = OD : $\Phi 4.85 \pm 0.25$, ID: $\Phi 2.75 \pm 0.15$, Thickness = 0.55