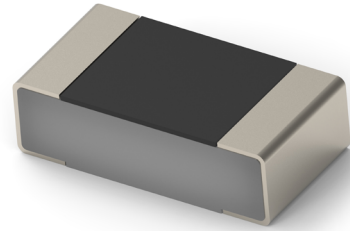


SMD LOW OHMIC - CURRENT SENSE RESISTORS

TYPE TLRP SERIES

INTRODUCTION

TE Connectivity (TE) is pleased to offer these unique AEC-Q200 compliant High Power Metal Strip Resistors for Current Sensing positions. **TLRP resistors** have a special metal resistive element combined with suitable barrier layers beneath the solder to prolong terminal life. This model is particularly useful for power management along with DC-DC converting and charging applications, as well as adaptors within SWPS applications.



FEATURES

- Up to 3 Watt at 70°C
- 12:06, 20:10, and 25:12 packages available
- Low inductance <5nH
- AEC-Q200 compliant
- Sulfur resistant - unaffected by sulfur environments
- Moisture sensitivity level - MSL1

APPLICATIONS

- Power management
- DC-DC converter
- Charger
- Adaptor

Note: SMD (Surface mount devices) resistors and inductors should be kept in their original packaging to protect them from ESD (Electrostatic Discharge). The full reels can be broken into smaller quantities, without exposing them to ESD, as long as the components are still in the plastic or paper tape. These resistors and inductors should not be removed from the plastic or paper tape unless they are in an ESD protected environment.

Characteristics - Electrical

Size	Power rating @ 70°C	Resistance range (mΩ)			TCR (PPM/°C)
		±0.5%	±1%	±5%	
1206	1W	8, 10, 12, 15, 20, 25, 30, 33, 40			±50
		3, 4, 5, 7, 8, 10, 12, 15, 20, 25, 30, 33, 40			±75
					±100
2010	1W	4, 5, 10, 15, 20, 30, 50, 68, 75, 100			±75
	2W	4, 5, 10, 15, 20, 30, 50, 68, 75			
2512	2W & 3W	3, 4, 5, 6, 7, 18, 20, 22, 25, 30, 33, 35, 39, 40, 47, 50, 60, 68, 70, 75, 80, 82, 90, 91, 100, 120, 150, 180, 200			±25
		1, 1.5, 2, 2.5, 3, 4, 5, 6, 7, 8, 8.5, 9, 10, 12, 15, 18, 20, 22, 25, 30, 33, 35, 39, 40, 47, 50, 60, 68, 70, 75, 80, 82, 90, 91, 100, 120, 150, 180, 200			±50
					±75

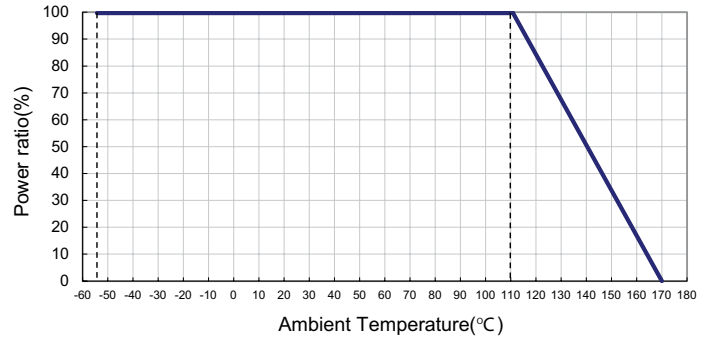
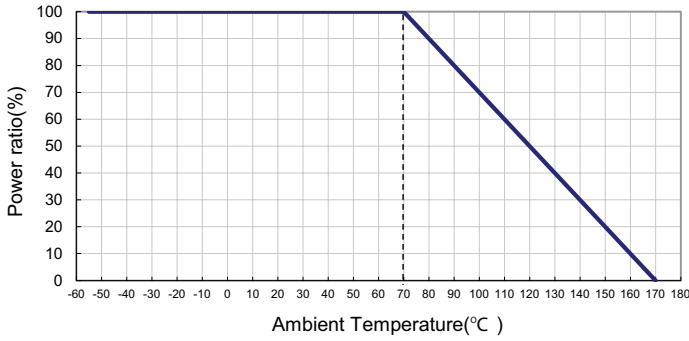
Operating Temperature Range: -55 - 170°C

Operating Current = $\sqrt{P/R}$, Operating Voltage = $\sqrt{P \cdot R}$

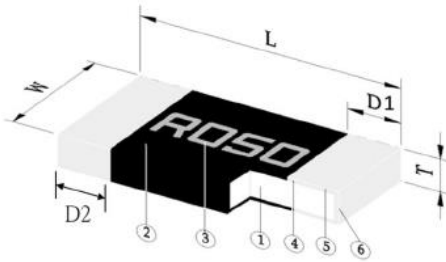
SMD Low Ohmic - Current Sense Resistors

Type TLRP Series

Derating Curve



Construction



1	Alloy plate	4	Internal electrode
2	Overcoat	5	Barrier layer
3	Marking	6	Solder plating

Dimensions

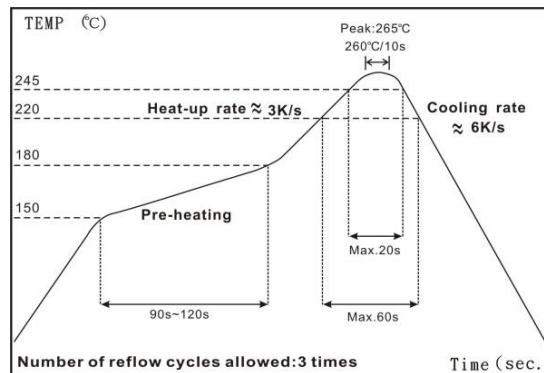
Type	Size	L (mm)	W (mm)	T (mm)	D1 (mm)	D2 (mm)	Weight (mg) EA
TLRP2B	1206	3.15±0.10	1.45±0.10	0.55±0.10	0.55±0.15	0.55±0.15	10.5
TLRP2H	2010	5.00±0.15	2.40±0.15	0.55±0.15	0.80±0.20	0.80±0.20	40
TLRP3A (2-200mΩ)	2512	6.40±0.25	3.20±0.25	0.70±0.20	0.90±0.30	0.90±0.30	52.6
TLRP3A (1.5mΩ)	2512	6.40±0.25	3.20±0.25	0.70±0.20	0.90±0.30	1.45±0.30	52.6
TLRP3A	2512	6.40±0.25	3.20±0.25	0.70±0.20	0.90±0.30	1.85±0.30	52.6

Marking

Resistance(4digit)

Resistance	3mΩ	10mΩ	22mΩ	100mΩ
Codes	R003	R010	R022	R100

Soldering Condition



IR Reflow Soldering

(1) Time of IR reflow soldering at maximum temperature point 260°C: 10s

SMD Low Ohmic – Current Sense Resistors

Type TLRP Series

Environmental Characteristics

Item	Requirement	Test Method
Temperature Coefficient of Resistance (T.C.R.)	As Spec.	IEC60115-1 4.8 JIS-C-5201-1 4.8 +25°C -125°C, 25°C is the reference temperature
Short time overload	±1.0%	IEC60115-1 4.13 JIS-C-5201-1 4.13 5*rated power for 5 seconds
Insulation resistance	≥10G	IEC60115-1 4.6 JIS-C-5201-1 4.13 100V DC for 1 minute
Endurance	±1.0%	IEC60115-1 4.25 JIS-C-5201-1 4.25.1 70±2°C, rated power for 1000 hrs with 1.5 hrs “ON” and 0.5 hr “OFF” MIL-STD-202 Method 108 Condition D Steady State TA=125°C at derated power. Measurement at 24±4 hours after test conclusion.
Biased humidity	±1.0%	MIL-STD-202 Method 103 1000 hrs 85°C/85%RH 10% of operating power
Dry heat	±1.0%	IEC60115-1 4.23.2 JIS-C-5201-1 4.23.2 MIL-STD-202 Method 108 at +170°C for 1000 hrs
Resistance to solvents	No visible damage on appearance and marking.	MIL-STD-202 Method 215 Note: Add Aqueous wash chemical - OKEM Clean or equivalent. Do not use banned solvents.
Mechanical shock	±1.0%	MIL-STD-202 Method 213 Wave Form: Tolerance for half sine shock pulse. Peak value is 100g's. Normal duration(D) is 6.
Vibration	±1.0%	MIL-STD-202 Method 204 5g's for 20 min., 12 cycles each of 3 orientations. Note: Use 8"X5" PCB .031" thick 7 secure points on one long side and 2 secure points at corners of opposite sides. Parts mounted within 2" from any secure point. Test from 10-2000 Hz.
Moisture sensitivity level		MSL Level I
ESD	±1.0%	AEC-Q200-002 Human body model, 2KV. (DC = Direct Contact Discharge)
Flammability	V-0	UL-94 50W (20 mm) Vertical Burning Test. Electrical test not required.

SMD Low Ohmic – Current Sense Resistors

Type TLRP Series

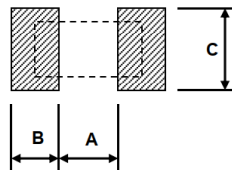
Item	Requirement	Test Method
Flame retardance	The following phenomena cannot occur during the experiment: (1)A flame over 3.0seconds duration. (2)An explosion. (3)A temperature above 350°C sustained for over 10 seconds	AEC-Q200-001 Assemble the sample on the test board, perform functional test before flame retardant test to ensure no damage to the sample. The test environment is 22±5 °C still air, from 9.0 to 32.0 VDC (current clamped up to 500A), increase the voltages at the rate of 1.0 VDC per hour until the end of the experiment.
Bending strength	±1.0%	JIS-C-5201-1 4.33 IEC-60115-1 4.33 Bending width 2mm once for 5seconds
Terminal strength (SMD)	Not broken	AEC-Q200-006 Force of 1.8kg for 60 seconds.
Solderability	95% min. coverage	JIS-C-5201-1 4.17 IEC-60115-1 4.17 J-STD-002 245±5°C for 3seconds
Resistance to soldering Heat	±0.5%	JIS-C-5201-1 4.18 IEC-60115-1 4.18 MIL-STD-202 Method 210 260±5°C for 10 seconds
Rapid change of temperature	±1.0%	JIS-C-5201-1 4.19 IEC-60115-1 4.19 -55°C to +155°C, 5 cycles
Temperature cycling	±1.0%	JESD22 Method JA-104 1000 cycles (-55°C to +125°C, Dwell 30 minutes, transition time within 1 minute). Measurement at 24±4 hours after test conclusion.
Low temperature storage	±1.0%	IEC60115-1 4.23.4 JIS-C-5201-1 4.23.4 at -55°C for 2hrs

RCWV (Rated Continuous Working Voltage)= $\sqrt{P \cdot R}$ or Max. Operating Voltage whichever is lower.

Storage Temperature: 15-28°C; Humidity < 80%RH

Shelf Life: 2 years from manufacture date

Recommended Land Pattern



Size	A (mm)	B (mm)	C (mm)
1206	1.50	1.40	1.70
2010	3.60	1.40	2.50
2512 (2-200mΩ)	4.00	2.00	3.50
2512 (1-1.5mΩ)	2.30	2.65	3.50

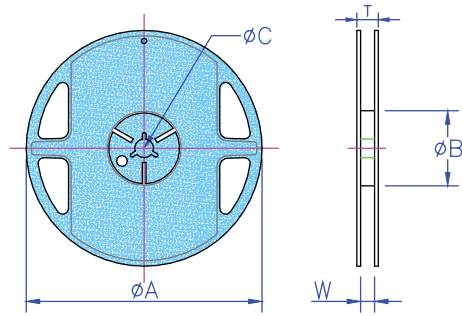
*FR4 copper board, 100µm of copper pad thickness

SMD Low Ohmic – Current Sense Resistors

Type TLRP Series

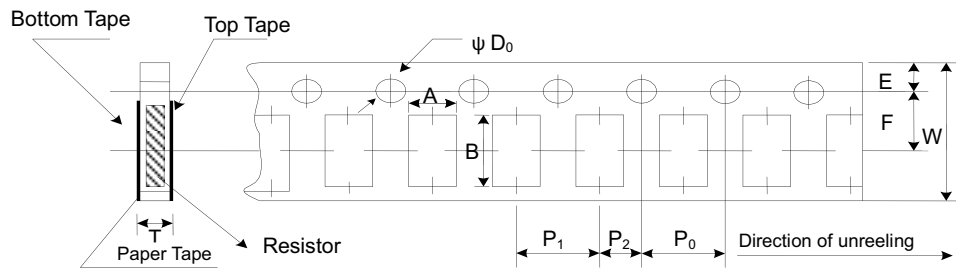
Packaging

Reel Specifications & Packaging Quantity



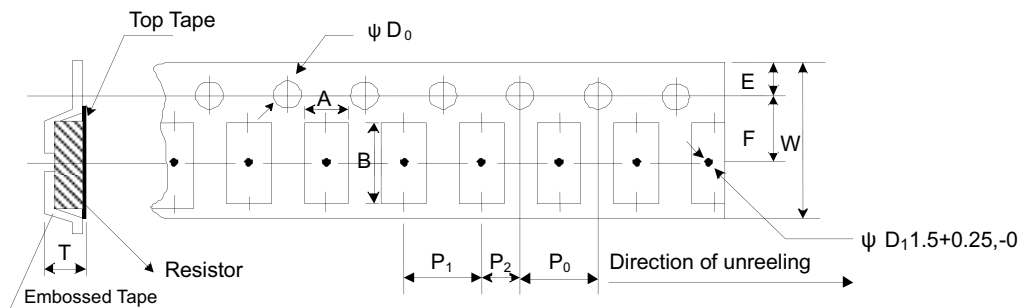
Size	Resistance (mΩ)	Tape / Qty	Tape width	Reel Dia.	ØA (mm) ±1.5	ØB (mm)	ØC (mm)	W (mm)	T (mm)
1206	3-40	Paper/5K	8mm	7 inch	178.5	60 +1/-0	13.0 ±0.2	9.0 ±0.5	12.5 ±0.5
2010	4-100	Embossed/4K	12mm			60 ±1.0	13.0 ±0.5	13.0 ±1.0	15.5 ±0.5
2512	1-200	Embossed/4K	12mm			60 ±1.0	13.0 ±0.5	13.0 ±1.0	15.5 ±0.5

Paper Tape Specification 1206 size



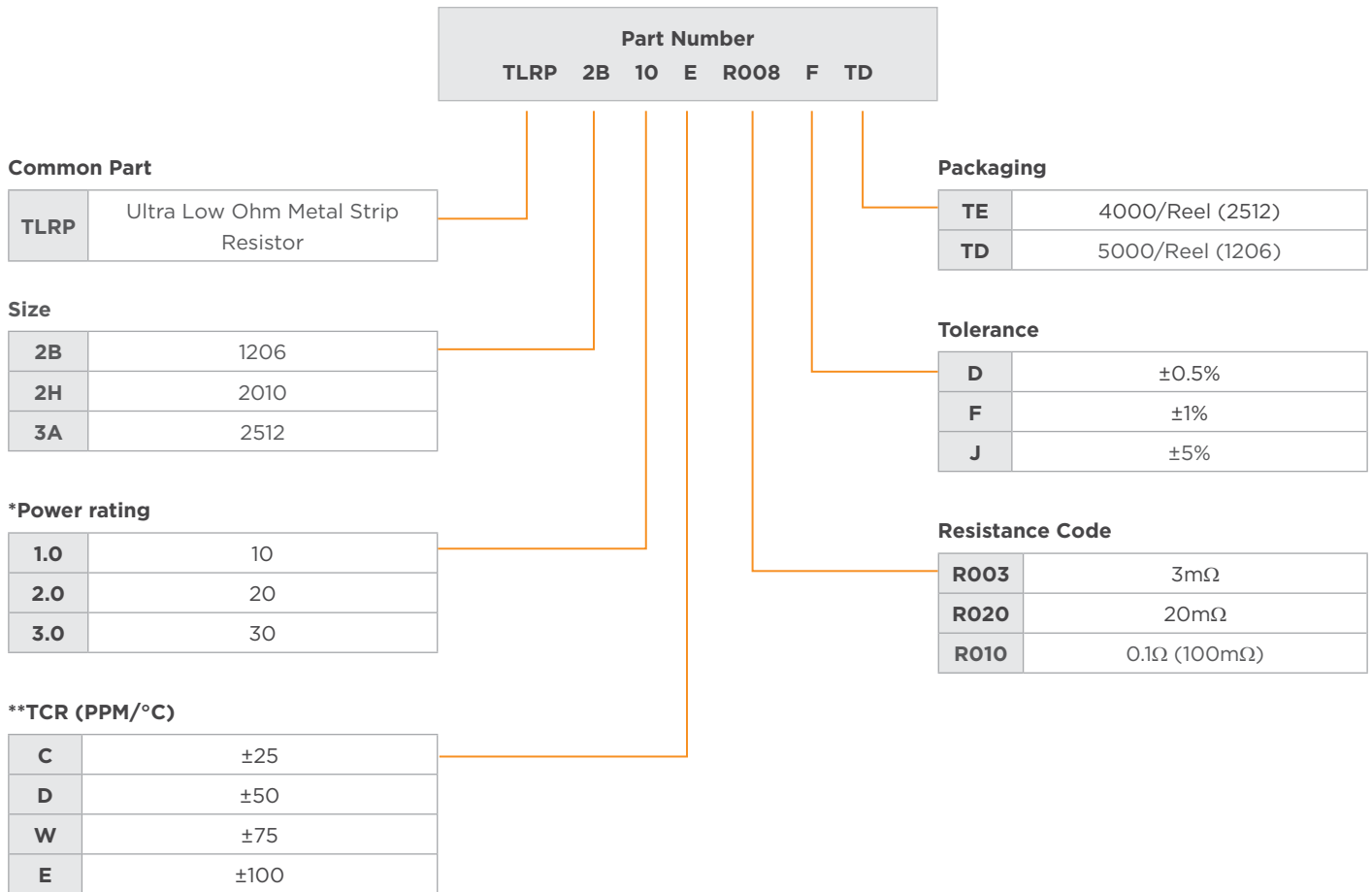
A (mm)	B (mm)	W (mm)	E (mm)	F (mm)	P ₀ (mm)	P ₁ (mm)	P ₂ (mm)	ØD ₀ (mm)	T (mm)
1.90 ±0.10	3.50 ±0.20	8.0 ±0.20	1.75 ±0.10	3.50 ±0.05	4.00 ±0.10	4.00 ±0.05	2.00 ±0.05	1.50 +0.1,-0	0.85 ±0.10

Embossed Plastic Tape Specification



	A (mm)	B (mm)	W (mm)	E (mm)	F (mm)	P ₀ (mm)	P ₁ (mm)	P ₂ (mm)	ØD ₀ (mm)	T(mm)
2010	2.80 ±0.10	5.4±0.20	12.0±0.30	1.75±0.10	5.5±0.5	4.00±0.10	4.00±0.10	2.00±0.05	1.5 +0.1-0	1.20+0
2512	3.50 ±0.10	6.70±0.10	12.0±0.30	1.75±0.10	5.5±0.05	4.00±0.10	4.00±0.10	2.00±0.05	1.5 +0.1-0	1.20+0

ORDERING INFORMATION



te.com

©2025 TE Connectivity plc. All Rights Reserved.

TE Connectivity, TE connectivity (logo) and Every Connection Counts are trademarks owned or licensed by the TE Connectivity plc. family of companies. All other logos, products and/or company names referred to herein might be trademarks of their respective owners.

While TE has made every reasonable effort to ensure the accuracy of the information in this document, TE does not guarantee that it is error-free, nor does TE make any other representation, warranty or guarantee that the information is accurate, correct, reliable or current. TE reserves the right to make any changes to the information contained herein without prior notice. TE Connectivity assumes only those obligations set forth in the terms and conditions for this product and shall in no event be liable for any incidental, indirect, or consequential damages arising out of the sale, resale, use, or misapplication of the product. TE expressly disclaims any implied warranties with respect to the information contained herein, including, but not limited to, implied warranties of merchantability or fitness for a particular purpose. Dimensions, specifications and/or information contained herein are for reference purposes only and are subject to change without notice. Consult TE for the latest dimensions, specifications and/or information. Users of TE Connectivity products must make their own assessment as to whether the respective product is suitable for the respective desired application.

03/25 1773449-4 ED