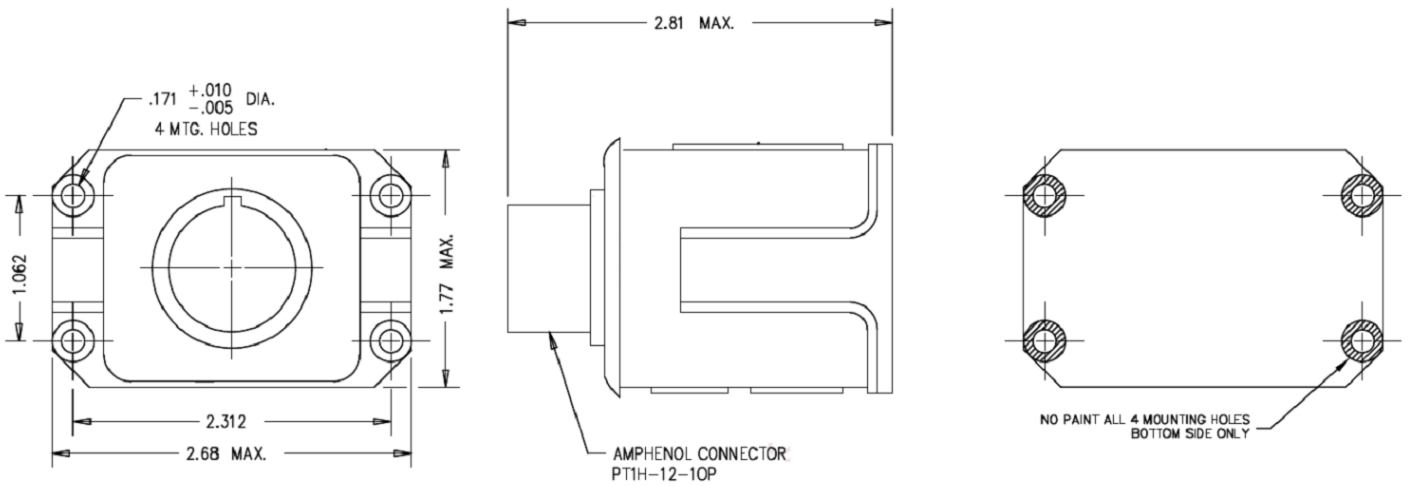


REVISIONS

| REV. | ECO       | DESCRIPTION  | DATE      | APPROVED |
|------|-----------|--|-----------|----------|
| E    | 15-002263 | ADDED +28 VDC OUTPUT; ADDED 'OVER' TO VOLTAGE SENSOR; DELETED ITEM 4 OVERLAY 39529-001-QTY 3 | 11FEB2015 | MDM      |

E-311AAJ  
MONITOR, EXTERNAL POWER  
CONTACT DATA SPST N.O.



ALL DIMENSIONS ARE IN INCHES



TE CONNECTIVITY  
 175 N. DIAMOND STREET MANSFIELD,  
 OHIO 44902

TITLE

MONITOR, EXTERNAL POWER

TE P.N.

2-1616542-8

DWG NO.

E-311AAJ

DS DATA SHEET

CAGE CODE  
 74063

SCALE  
 NONE

SHEET  
 1 OF 2

REV  
 E

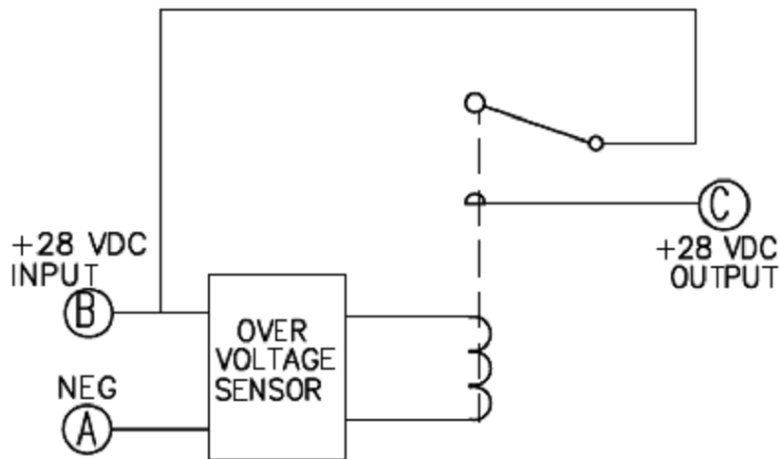
GENERAL SPECIFICATION

**CONSTRUCTION**

**METAL CASE, POTTED ASSEMBLY WITH  
CONTACTS HERMETICALLY SEALED**

|                           |                       |
|---------------------------|-----------------------|
| <b>MIN. OPER. CYCLES</b>  | <b>50,000</b>         |
| <b>ENVIRONMENTAL DATA</b> |                       |
| <b>OPER. TEMP.</b>        | <b>-55°C TO +71°C</b> |
| <b>CONTACT DATA</b>       |                       |
| <b>CONTACTS</b>           | <b>SPST N.O.</b>      |
| <b>CONTACT RATING</b>     |                       |
| <b>RESISTIVE</b>          | <b>5 AMP</b>          |
| <b>INDUCTIVE</b>          | <b>1 AMP</b>          |
| <b>WEIGHT MAX.</b>        | <b>8 OZ.</b>          |

SCHEMATIC



TE CONNECTIVITY  
175 N. DIAMOND STREET MANSFIELD,  
OHIO 44902

TITLE

MONITOR, EXTERNAL POWER

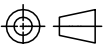
TE P.N.

2-1616542-8

DWG NO.

E-311AAJ

THIRD ANGLE PROJECTION



THIS DRAWING PREPARED  
IN ACCORDANCE WITH  
ANSI/ASMEY14.5M-1982

CAGE CODE

74063

SCALE

NONE

SHEET

2 OF 2

REV

E