

2066034-2 ✓ ACTIVE

## AMP MCP 2.8, AMP MCP Connector System

TE Internal #: 2066034-2

Housing for Female Terminals, Wire-to-Wire, 2 Position, .216 in [5.5 mm] Centerline, Sealable, Black, Wire & Cable, Power, Hybrid

[View on TE.com >](#)



Connectors > Automotive Connectors > Automotive Housings > AMP MCP, SEALED CONNECTOR HOUSING



Connector System: **Wire-to-Wire**

Number of Positions: **2**

Connector & Housing Type: **Housing for Female Terminals**

Centerline (Pitch): **5.5 mm [ .216 in ]**

Sealable: **Yes**

[All AMP MCP, SEALED CONNECTOR HOUSING \(159\)](#)

### Features

#### Product Type Features

Mixed & Hybrid Connector	No
Connector Shape	Rectangular
Connector System	Wire-to-Wire
Connector & Housing Type	Housing for Female Terminals
Sealable	Yes
Connector & Contact Terminates To	Wire & Cable
Primary Locking Feature	On the Terminal

#### Configuration Features

Number of Positions	2
Number of Rows	1

#### Electrical Characteristics

Nominal Voltage Architecture	12 V
------------------------------	------

#### Body Features



Primary Product Color	Black
Connector & Keying Code	1

### Contact Features

Contact Size	2.8mm
Contact Type	Receptacle
Mating Tab Width	2.8 mm[.11 in]
Contact Current Rating (Max)	30 A

### Mechanical Attachment

Mating Alignment Type	Keyed
Mating Alignment	With
Connector Mounting Type	Cable Mount (Free-Hanging)

### Housing Features

Centerline (Pitch)	5.5 mm[.216 in]
--------------------	-----------------

### Usage Conditions

Operating Temperature (Max)	130 °C[266 °F]
Operating Temperature Range	-40 – 130 °C[-40 – 266 °F]

### Operation/Application

Circuit Application	Power
---------------------	-------

### Other

Connector Position Assurance Capable	No
--------------------------------------	----

### Product Compliance

[For compliance documentation, visit the product page on TE.com>](#)

EU RoHS Directive 2011/65/EU	Compliant
EU ELV Directive 2000/53/EC	Compliant
China RoHS 2 Directive MIIT Order No 32, 2016	No Restricted Materials Above Threshold
EU REACH Regulation (EC) No. 1907/2006	Current ECHA Candidate List: JUNE 2023 (235) Candidate List Declared Against: JUNE 2023 (235) Does not contain REACH SVHC
Halogen Content	BFR/CFR/PVC Free, but Br/Cl >900 ppm in other sources.
Solder Process Capability	Not reviewed for solder process capability




Product Compliance Disclaimer

This information is provided based on reasonable inquiry of our suppliers and represents our current actual knowledge based on the information they provided. This information is subject to change. The part numbers that TE has identified as EU RoHS compliant have a maximum concentration of 0.1% by weight in homogenous materials for lead, hexavalent chromium, mercury, PBB, PBDE, DBP, BBP, DEHP, DIBP, and 0.01% for cadmium, or qualify for an exemption to these limits as defined in the Annexes of Directive 2011/65/EU (RoHS2). Finished electrical and electronic equipment products will be CE marked as required by Directive 2011/65/EU. Components may not be CE marked. Additionally, the part numbers that TE has identified as EU ELV compliant have a maximum concentration of 0.1% by weight in homogenous materials for lead, hexavalent chromium, and mercury, and 0.01% for cadmium, or qualify for an exemption to these limits as defined in the Annexes of Directive 2000/53/EC (ELV). Regarding the REACH Regulation, the information TE provides on SVHC in articles for this part number is based on the latest European Chemicals Agency (ECHA) 'Guidance on requirements for substances in articles' posted at this URL: <https://echa.europa.eu/guidance-documents/guidance-on-reach>

### Compatible Parts



TE Part # CAT-AM706-T273  
AMP MCP, SFC, RECEPTACLE

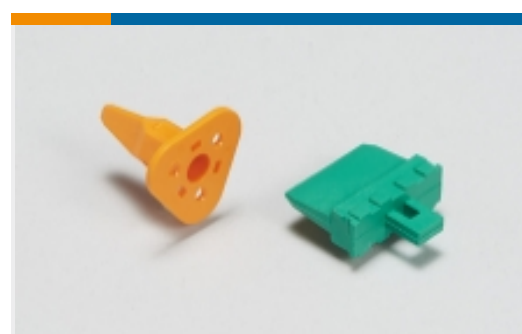


TE Part # 2066035-1  
2.8MM SEALED 2P PLUG HOUSING


### Also in the Series | AMP MCP 2.8




Automotive Connector Caps & Covers (1)




Automotive Connector Locks & Position Assurance(5)




Automotive Housings(168)



Automotive Terminals(9)



Connector Seals & Cavity Plugs(1)



Insertion & Extraction Tools(6)



Module Components(1)

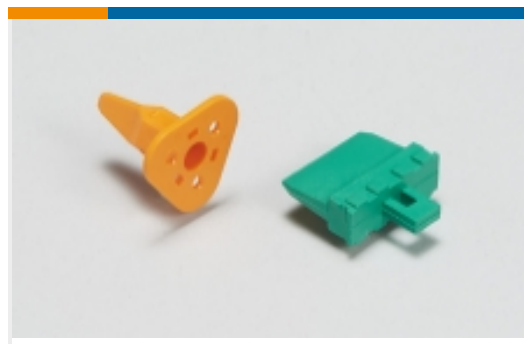


PCB Headers & Receptacles(1)

### Also in the Series | AMP MCP Connector System



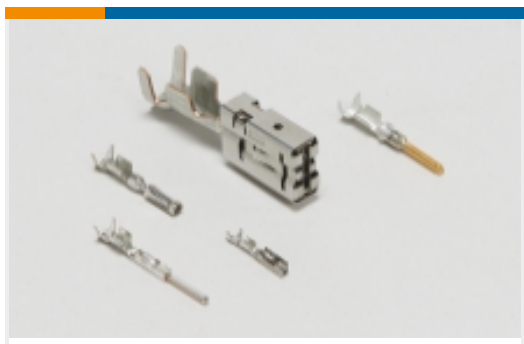
Automotive Connector Caps & Covers (23)



Automotive Connector Locks & Position Assurance(6)



Automotive Housings(334)



Automotive Terminals(129)



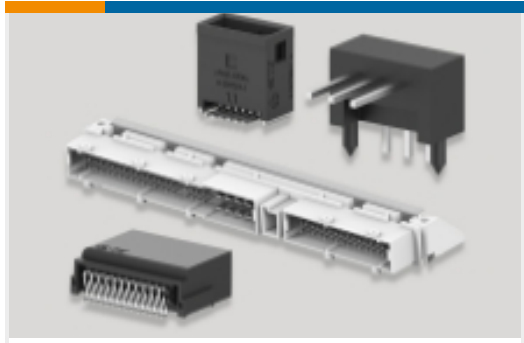
Connector Seals & Cavity Plugs(7)



Insertion & Extraction Tools(13)



Other Automotive Connector Accessories(2)

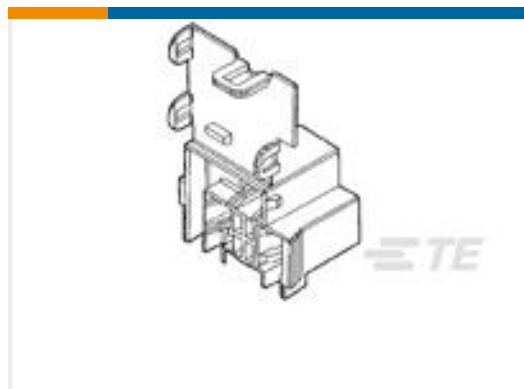


PCB Headers & Receptacles(28)

## Customers Also Bought



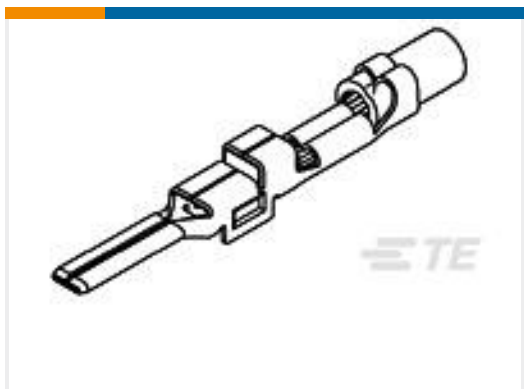
TE Part #1743636-2  
HYB SLD 36P CAP HSG



TE Part #353752-2  
HEAD LAMP CONNECTOR .312 (7.92 MM)



TE Part #967541-1  
AMP MCP, SFC, RECEPTACLE



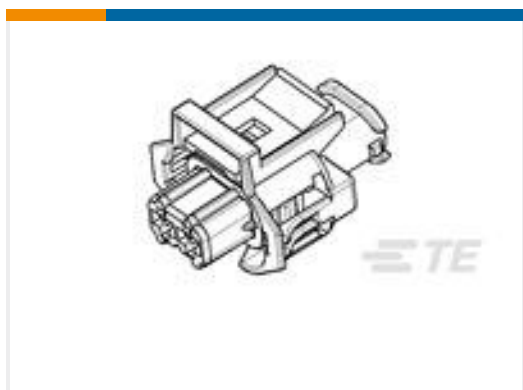
TE Part #368086-1  
090II NON SLD TAB(SQ 2.0)



TE Part #2-282079-2  
AMP SUPERSEAL 1.5 SERIES 1P PLUG ASSY



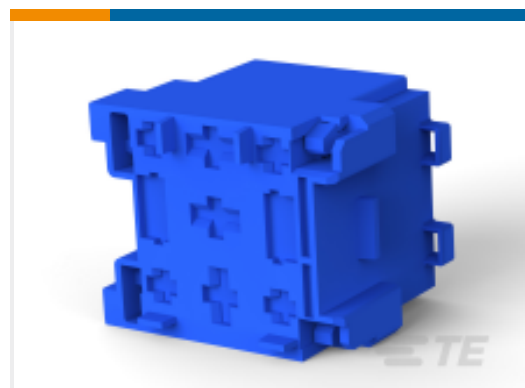
TE Part #2066010-1  
2P SUPERSEAL 1.5 SRS PLUG ASSY BLACK



TE Part #936060-2  
2.8MM SLD 3P PLUG ASSY-TDC



TE Part #2315764-1  
16POS,ECONOSEAL,REC HSG ASSY, SLD



TE Part #282435-5  
RELAY HSG.W.SEC.LOCK.ASSY9 POS

## Documents



## Product Drawings

### 2.8MM SLD 2P PLUG ASSEMBLY

English

---

## CAD Files

### 3D PDF

3D

#### Customer View Model

[ENG\\_CVM\\_CVM\\_2066034-2\\_A.2d\\_dxf.zip](#)

English

#### Customer View Model

[ENG\\_CVM\\_CVM\\_2066034-2\\_A.3d\\_igs.zip](#)

English

#### Customer View Model

[ENG\\_CVM\\_CVM\\_2066034-2\\_A.3d\\_stp.zip](#)

English

By downloading the CAD file I accept and agree to the [Terms and Conditions](#) of use.