



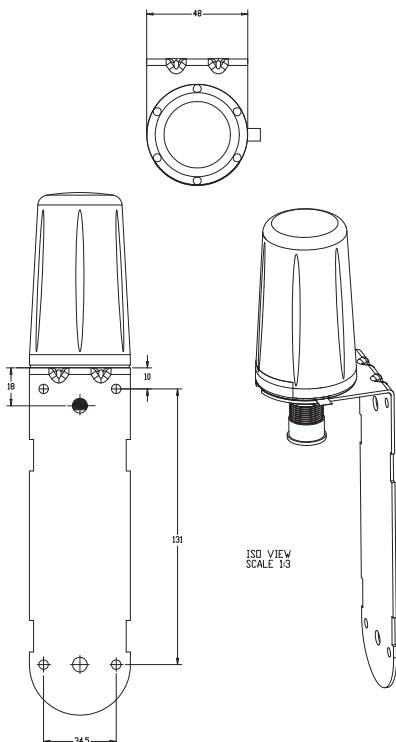
BRACKET MOUNT UHF AN- TENNA

RUGGED AND LOW PROFILE DESIGN

This antenna is a low profile fixed UHF antenna in a robust compact housing. Designed to be tough yet cost effective, the antenna is completely enclosed in a moulded housing made from weather and impact resistant plastic.

The antenna is supplied with an offset bracket which allows for easy mounting and provides an electrical ground plane. The antenna features an N jack type connector allowing use of a variety of cable types and lengths.

Technical Drawing

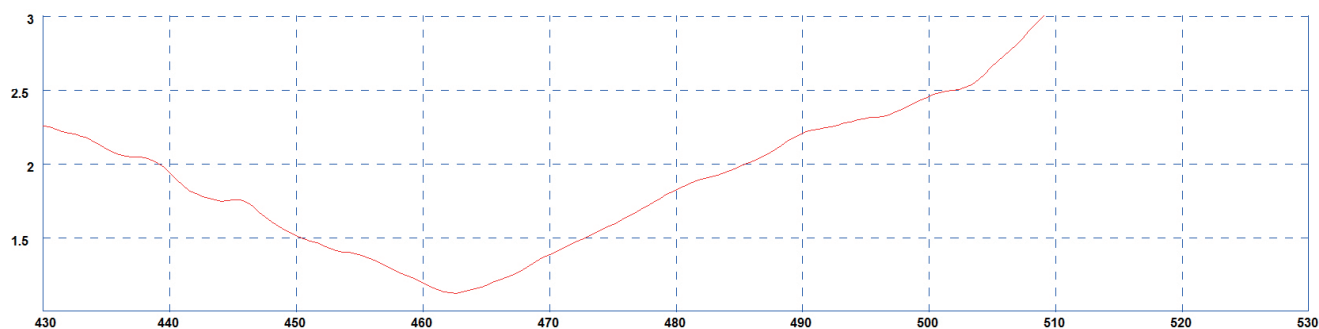


BRACKET MOUNT UHF ANTENNA

RUGGED AND LOW PROFILE DESIGN

Electrical Data		2363698-1	2363698-2
Frequency Range (MHz)		420-455MHz	450-470MHz
Operational Band		433 UHF	460 UHF
Peak Gain: Isotropic		0dBi	0dBi
Typical VSWR		<2:1	<2:1
Polarization		Vertical	
Impedance		50Ω	
Max input power (W)		60W	
Mechanical Data			
Dimensions (mm)	Height (mm)	82 (3.22")	
	Diameter (mm)	48 (1.89")	
	Offset (mm)	60 (2.3")	
Operating Temp (°C)		-30 to +80°C (-22 to +176°F)	
Material		ASA	
Colour		Telegray 7047	
Ingress Protection		Equivalent to IP65	
Mounting Data			
Fixing		Bracket mount	
Cable Data			
Termination		N Jack	

Typical VSWR for 460MHz Version*



* measured on SP5-0572 with 1m (3'3") CS29 extension cable.

Typical H Plane- 460MHz

