

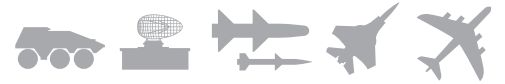


38999 SERIES IV METAL PROTECTIVE CONNECTOR COVERS

RUGGED, LIGHTWEIGHT, ENVIRONMENTALLY SEALED METAL PROTECTIVE COVERS QUALIFIED TO MIL-DTL-38999 SERIES IV



38999 Series IV Metal Protective Connector Covers



Rugged, Lightweight, Environmentally Sealed Metal Protective Covers Qualified to MIL-DTL-38999 Series IV



TE Connectivity (TE) 38999 series IV metal protective covers are a key accessory to our standard 38999 Series IV connectors, as these covers are used to protect the connectors (as well as the harnesses and systems) in the field when they are not in the mated condition.

Aerospace and defense applications that use MIL-DTL-38999 series IV connectors normally do not have the connectors in the mated condition 100% of the time. These metal covers protect their systems by being attached to the connectors so when the connectors are not mated, the field technicians can attach the metal covers to the connectors to keep them environmentally resistant.

MIL QUALIFIED

- Qualified to MIL-DTL-38999 Series IV, D38999/51 and D38999/52 slash sheets

VERSATILE

- Available in five plating configurations
- Available in all 8 shell sizes

ENHANCED CONNECTOR PROTECTION

- Helps protect connector against dust, foreign objects and moisture intrusion, in the unmated condition

APPLICATIONS/MARKETS SERVED

- Military and commercial avionics systems
- Ground vehicles
- Radar systems
- Missile launch platforms

MATERIALS

- Aluminum alloy body
- Gasket is silicone based rubber
- Rope is passivated stainless steel with polytetrafluoroethylene (PTFE) cover
- Rings and fasteners are corrosion resistant passivated steel

MECHANICAL/ENVIRONMENTAL

- Fastener tensile strength minimum 25 lbs
- Air leak rate - will not exceed 1 atmospheric cubic inch per hour
- Coupling torque - will not exceed MIL-DTL-38999 Series IV requirements

PLATINGS

- Standard product offering in Olive Drab Cadmium and Electroless Nickel making them most popular
- Custom options include Stainless Steel, Black Zinc Nickel, and Nickel PTFE

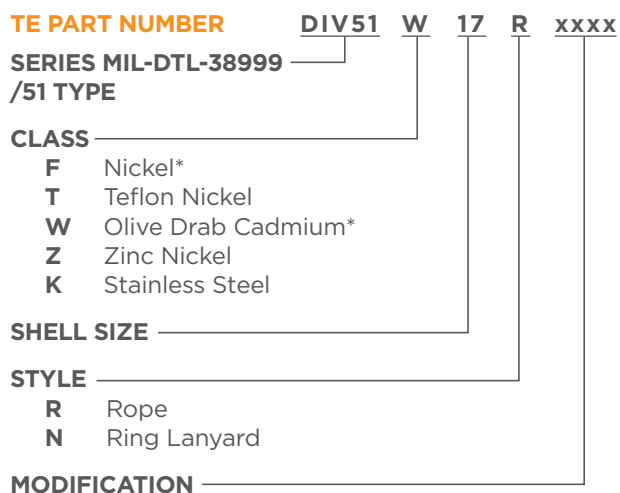
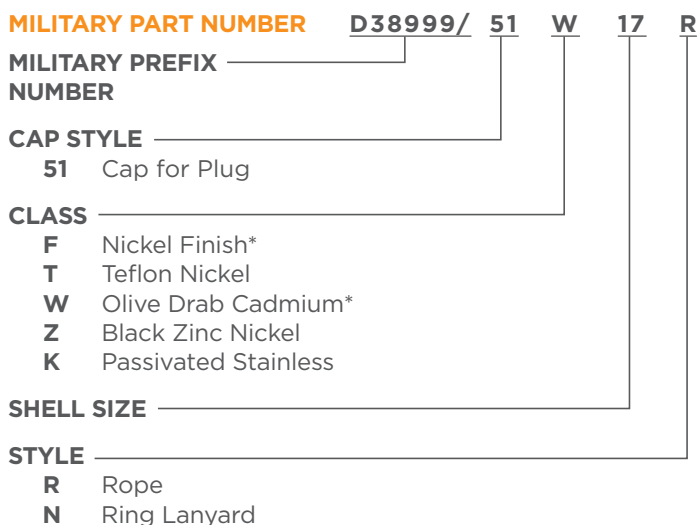
STANDARDS/SPECIFICATIONS

- MIL-DTL-38999 Series IV

38999 Series IV Metal Protective Connector Covers

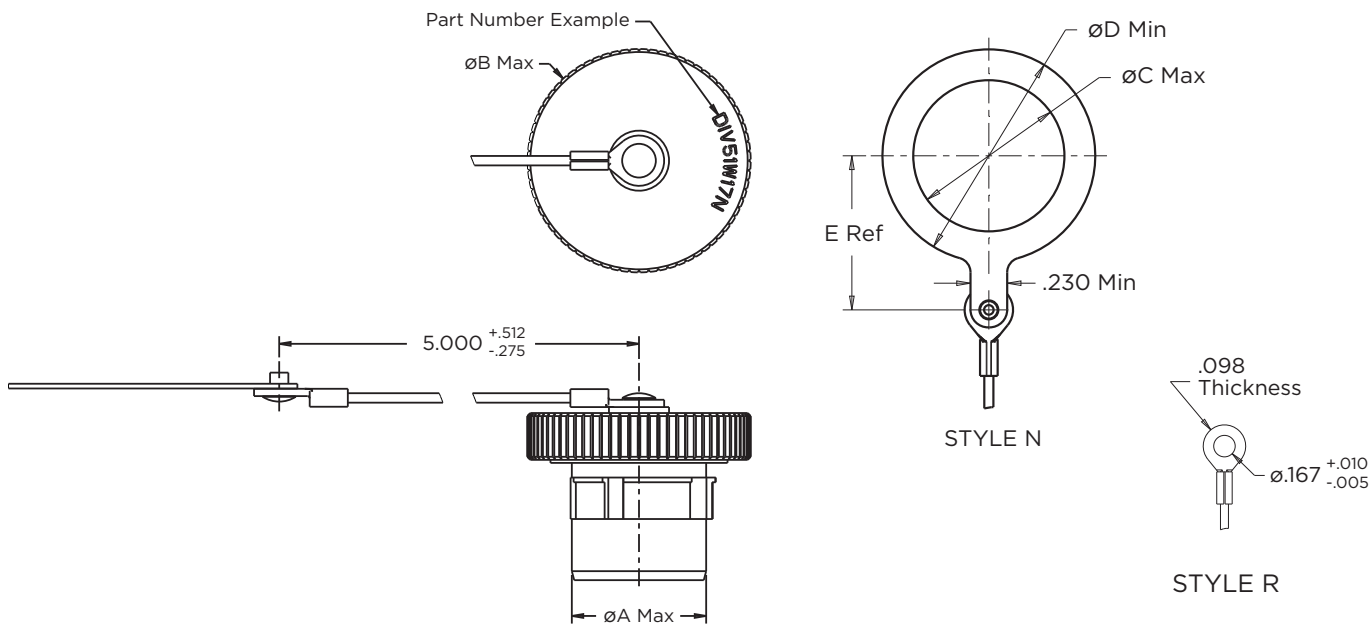
D38999/51

Mil Spec	TE Part Number	Shell Size	A Dia. Max.	B Dia. Max.	C Dia. Max. Style N	D Dia. Min. Style N	E Ref Style N
D38999/51x11x	DIV51x11x	11	.497	1.023	1.260	.865	.797
D38999/51x13x	DIV51x13x	13	.622	1.220	1.456	.989	.797
D38999/51x15x	DIV51x15x	15	.747	1.299	1.574	1.178	.875
D38999/51x17x	DIV51x17x	17	.873	1.456	1.732	1.260	.997
D38999/51x19x	DIV51x19x	19	.997	1.574	1.811	1.428	1.083
D38999/51x21x	DIV51x21x	21	1.122	1.732	1.929	1.506	1.093
D38999/51x23x	DIV51x23x	23	1.247	1.811	2.126	1.678	1.250
D38999/51x25x	DIV51x25x	25	1.372	1.968	2.204	1.750	1.280



* means standard selection

* means standard selection



38999 Series IV Metal Protective Connector Covers

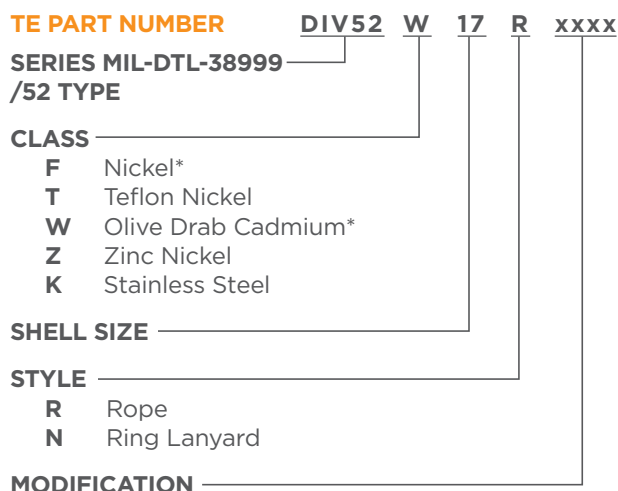
D38999/52

Mil Spec	TE Part Number	Shell Size	A Dia. Max.	B Dia. Max.	C Dia. Max. Style N	D Dia. Min. Style N	E Ref Style N
D38999/52x11x	DIV52x11x	11	.497	1.023	.999	1.201	.838
D38999/52x13x	DIV52x13x	13	.622	1.220	1.205	1.441	.960
D38999/52x15x	DIV52x15x	15	.747	1.299	1.275	1.614	1.055
D38999/52x17x	DIV52x17x	17	.873	1.456	1.579	1.790	1.228
D38999/52x19x	DIV52x19x	19	.997	1.574	1.579	1.790	1.228
D38999/52x21x	DIV52x21x	21	1.122	1.732	1.688	2.031	1.289
D38999/52x23x	DIV52x23x	23	1.247	1.811	1.765	2.177	1.328
D38999/52x25x	DIV52x25x	25	1.372	1.968	1.882	2.177	1.328

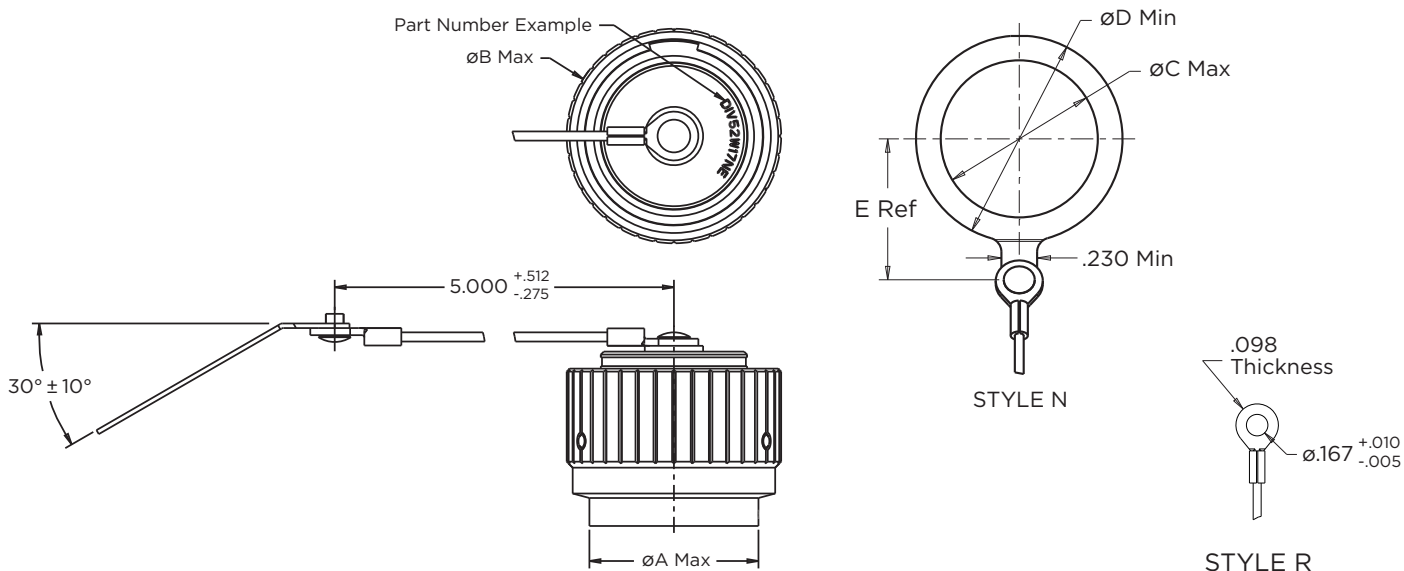


* means standard selection

All dimensions are in inches



* means standard selection



Empower Engineers to Solve Problems, Moving the World Forward.

AMP | AGASTAT | CII | HARTMAN | KILOVAC | MICRODOT | NANONICS | POLAMCO | Raychem
SEACON | Rochester | DEUTSCH

Connect With Us

We make it easy to connect with our experts and are ready to provide all the support you need. Visit te.com/support to chat with a Product Information Specialist.

te.com/38999_seriesIV_metal-covers

AMP, AGASTAT, CII, DEUTSCH, HARTMAN, KILOVAC, MICRODOT, NANONICS, POLAMCO, Raychem, SEACON, TE, TE Connectivity, and TE Connectivity (logo) are trademarks owned or licensed by TE Connectivity. All other logos, products and/or company names referred to herein might be trademarks of their respective owners.

The information given herein, including drawings, illustrations and schematics which are intended for illustration purposes only, is believed to be reliable. However, TE Connectivity makes no warranties as to its accuracy or completeness and disclaims any liability in connection with its use. TE Connectivity's obligations shall only be as set forth in TE Connectivity's Standard Terms and Conditions of Sale for this product and in no case will TE Connectivity be liable for any incidental, indirect or consequential damages arising out of the sale, resale, use or misuse of the product. Users of TE Connectivity products should make their own evaluation to determine the suitability of each such product for the specific application.

© 2020 TE Connectivity All Rights Reserved.

2380705-1 10/20 Original

38999 SERIES IV METAL PROTECTIVE CONNECTOR COVERS

TE Connectivity
Aerospace, Defense & Marine
2900 Fulling Mill Road
Middletown, PA 17057